

Specifications

SMART Board® 8084i-G4 interactive flat panel

Model 8084i-G4-SMP

Overview

The SMART Board® 8084i-G4 interactive flat panel features SMART’s proprietary DVIT® (Digital Vision Touch) technology on an LCD screen with e-LED backlight which enables you to select, write and erase on the interactive surface. By touching the surface, you can do everything on the interactive flat panel that you can do at your computer, and you can use an array of gestures within applications.

You can also write or draw over any application in digital ink using one of the supplied pens or your finger, and then erase the digital ink using the supplied eraser or your palm. Two users can write or draw at the same time.

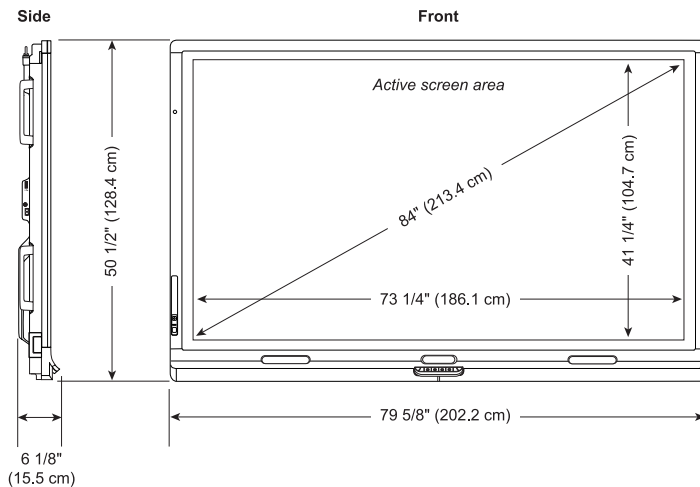
The interactive flat panel has two presence detection sensors on its frame that can detect people up to 16’ (5 m) away. When the sensors detect people in the room, the interactive flat panel turns on. When the sensors no longer detect people in the room, the interactive flat panel turns off.

See smarttech.com for more information on this product.



Dimensions and weights*

Dimensions



Weight

260 lb. (118.3 kg)

Shipping dimensions (including pallet)

86 1/4" W × 62 5/8" H × 15 1/8" D
(219 cm × 159 cm × 38.5 cm)

Shipping weight

335 lb. (152.3 kg)

*All dimensions ± 1/8" (0.3 cm). All weights ± 2 lb. (0.9 kg).

Hardware

Display

Aspect ratio	16 × 9
Optimal resolution	3840 × 2160 at 30 Hz
Horizontal frequency	244–280 kHz (analog and digital)
Vertical frequency	24–120 Hz
Contrast ratio (typical)	1600:1
Brightness (typical)	250–300 cd/m ²
Pixel pitch	0.48 mm

Audio	Two 10 W integrated front firing speakers
--------------	---

Noise level	35 dBA
--------------------	--------

Included cables and hardware	8' (2.4 m) country-specific power cable 4' 3" (1.3 m) USB cable 16' 5" (5 m) USB extender 20' 8" (6.3 m) HDMI cable Infrared remote control (batteries included) Pens and eraser Spare nibs for pens	I/O extension module for external PCs (SBID-G4-XTM) CAT 5 USB extender SMART GoWire™ auto-launch cable with SMART Meeting Pro® PE software (see smarttech.com/kb/151506) M8 eye bolts
-------------------------------------	--	--

Mounting holes	For a standard VESA® 600 mm × 400 mm mounting plate 18 7/8" (47.9 cm) from the bottom of the interactive flat panel
-----------------------	--

Mounting bracket depth	Minimum depth of 1 5/8" (4.2 cm) for all components on the back of the interactive flat panel to clear the wall
-------------------------------	---

Connectors

Top panel	19V DC Molex® Micro-Fit 2-pin connector Stereo 3.5 mm out USB 3.0 Type-A
------------------	--

Left panel	19V DC Molex Micro-Fit 2-pin connector Stereo 3.5 mm out USB 2.0 Type-A
-------------------	---

Right panel	19V DC Molex Micro-Fit 2-pin connector Stereo 3.5 mm out
--------------------	---

Back	AC power inlet	VGA in
	USB 2.0 Type-A	Component video in (Y, Pb, Pr)
	USB 2.0 Type-B (×2)	Composite video in
	RS-232 in	Stereo 3.5 mm in
	RS-232 out/pass-through	Stereo 3.5 mm out
	DisplayPort in	Dual RCA audio in (×2)
	HDMI in (×2)	Speaker wire connector, 8 Ω of resistance
	DVI-D in	
	DVI-D out	
<hr/>		
I/O extension module	HDMI in	
	USB 2.0 Type-B	

Installation requirements

Installation	See the <i>SMART Board 8000i-G4 interactive flat panel setup and maintenance guide</i> (smarttech.com/kb/170446)
Computer	See smarttech.com/SMARTMeetingProReleaseNotes

Storage and operating requirements

Power requirements	100V to 240V AC, 50 Hz to 60 Hz
<hr/>	
Power consumption at 77°F (25°C)	
Normal Standby mode	120 W
Normal operating	370 W
Maximum operating (Vivid mode)	530 W
<hr/>	
Operating temperature	41°F to 95°F (5°C to 35°C)
<hr/>	
Storage temperature	-4°F to 140°F (-20°C to 60°C)
<hr/>	
Humidity	5% to 80% relative humidity, non-condensing

Certification and compliance

Regulatory certification	UL (U.S. and Canada), FCC, IC, C-Tick, NOM, CU, CB, PSE, VCCI, KC, CCC, PSB and BIS
<hr/>	
Environmental compliance	
China	EIP
European Union	REACH, RoHS, WEEE, Battery, Packaging and ErP Standby
U.S.	Packaging and Conflict Minerals

Purchasing information

Order number

SBID 8084i-G4-SMP SMART Board 8084i-G4 interactive flat panel, including a SMART Meeting Pro software license key and a SMART GoWire cable with SMART Meeting Pro PE software

Optional accessories

See smarttech.com/businessaccessories

Hardware warranty

Two-year limited equipment warranty

LCD pixel policy

See knowledgebase.force.com/articles/TROUBLESHOOTING/Limited-pixel-warranty-for-SMART-Board-8000i-series-interactive-flat-panels

smarttech.com/support

smarttech.com/contactsupport

© 2013–2014 SMART Technologies ULC. All rights reserved. SMART Board, DVIT, SMART Meeting Pro, SMART GoWire, smarttech, the SMART logo and all SMART taglines are trademarks or registered trademarks of SMART Technologies ULC in the U.S. and/or other countries. All third-party product and company names may be trademarks of their respective owners. This product and/or use thereof covered by one or more of the following U.S. patents. www.smarttech.com/patents. Contents are subject to change without notice. 06/2014.