

Prysm Remote Touch Console

The Remote Touch Console (RTC) provides the ability to control a Prysm video wall using the mirroring capabilities of the Prysm application suite. With RTC, a user can access all the Prysm application suite features such as, dynamically positioning and sizing content, opening web browsers, displaying live sources, whiteboarding and annotating on displayed content. When mirrored with a controlled video wall, the Prysm application suite UI is displayed only on the RTC. This allows the user to preview and stage actions before committing content to be displayed on the video wall. This makes the RTC an ideal solution for auditoriums and training rooms. It also brings the ground-breaking capabilities of the Prysm application suite to curved, tall or high-mounted video walls where a direct touch interface is impractical. The RTC has a dedicated RTC appliance that works in parallel with the video wall application appliance, and both are connected to the Prysm Cloud or to a local Prysm Application Server.

For more information, contact us at sales@prysm.com, +1.408.586.1178 or 1.877.99.PRYSM.



RTC Use Cases

- ▶ Auditoriums
- ▶ Training
- ▶ Meetings
- ▶ Curved, tall or high-mounted video walls

RTC Key Features

- ▶ 23" HD touch console
- ▶ Dedicated Prysm RTC appliance with 4 or 8 HDMI ports
- ▶ 50' RTC control cabling
- ▶ Simultaneous touch controls via RTC and Prysm video wall or display
 - Dual control
 - Presenter mode
 - Master workspace

Technical Specifications

Remote Touch Console

Display	23 inch HD touch console
Display Dimensions (W × H × diagonal)	20.1 in × 11.3 in × 23 in 509 mm × 286 mm × 584 mm
Resolution	1920 × 1080 @ 60 Hz
Aspect Ratio	16:9
Pixel Pitch	0.265 mm
Brightness (typical)	270 cd/m ²
Color	16.7 million
Contrast Ratio (typical)	1,000:1
Viewing Angle (max)	178°
Response Time (typical)	8 ms
Backlight	LED
Touch Technology	Projected capacitive system
Cover Glass Thickness	1.1 mm
Touch Points	10
Touch Response Time	<10 ms
Power Consumption	Typical: 17 W Standby: <0.5 W
Weight (display only)	10.6 lbs, 4.8 kg
Compliance and Standards	ENERGY STAR®, EPEAT® Gold, TCO

...continued on reverse

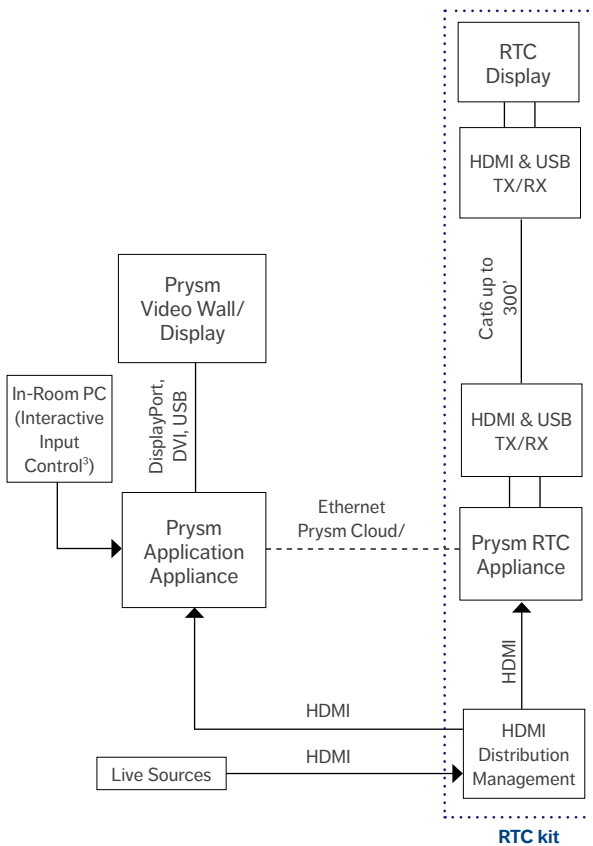
Prysm RTC Appliance

RTC edition	Executive	Auditorium
Operating System	Windows 8.1	Windows 8.1
Video Capture ¹	4 HDMI 1.4a	8 HDMI 1.4a
Output ¹	1 HDMI (via Mini DisplayPort 1.2)	1 HDMI (via DisplayPort 1.2)
Dimensions (W x H x D)	13.3 in x 3.6 in x 15.1 in 337 mm x 100 mm x 384 mm	17.0 in x 6.7 in x 17.5 in 432 mm x 169 mm x 445 mm
Power Consumption (typical)	130 W	525 W
Heat Output (typical)	444 BTU/hr	1311 BTU/hr
Weight	16 lbs, 7.2 kg	29.8 lbs, 13.5 kg

¹I/Os listed reflect types of connections used to integrate an RTC system. Adapters may be required.

RTC Integration Requirements²

- ▶ RTC kit (includes dedicated RTC appliance)
- ▶ Prysm display with a Prysm application appliance
- ▶ Prysm Cloud or a local Prysm application server

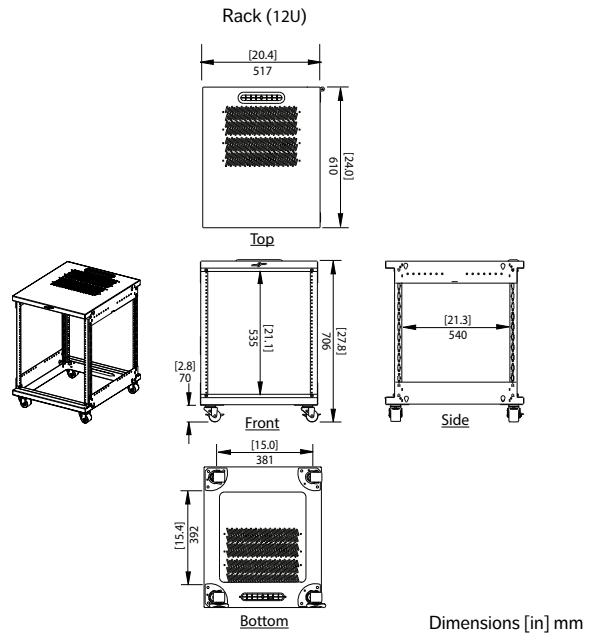
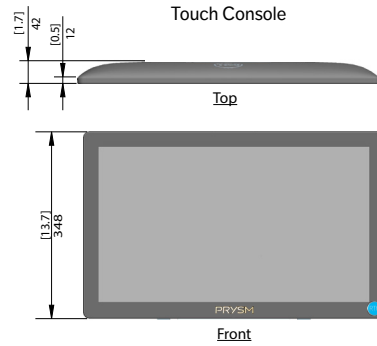


² For detailed installation information, refer to the Prysm RTC Installation Guide (PN 520-00070-00).
³ Control of an in-room PC with an interactive input controller is only available from the wall/display. The RTC does not have interactive input control capabilities.

Additional Components

RTC edition	Executive	Auditorium
Rack	12 U with power distribution system	12 U with power distribution system
Rack Dimensions (W x H x D)	20.4 in x 27.8 in x 24.0 in 517 mm x 706 mm x 610 mm	20.4 in x 27.8 in x 24.0 in 517 mm x 706 mm x 610 mm
CAT6 Cable Length	50 ft	50 ft (supports up to 300 ft) ¹
Extenders	HDMI/USB, TX/RX	HDMI/USB, TX/RX
HDMI Distribution Amplifiers (qty)	4	8

¹Kit includes 50 ft cable only. Auditorium edition supports cables up to 300 ft that are supplied by the customer.



Contact us at sales@prysm.com, +1.408.586.1178 or 1.877.99.PRYSM with the following product information:
 Product ID: PR-RTC
 Part Number: 038-00040-00 (Executive edition)
 038-00045-00 (Auditorium edition)

Disclaimer:
 The information contained herein is subject to change without notice. The only warranties for Prysm products and services are set forth in the express warranty statements accompanying the applicable customer agreement. Nothing herein should be construed as constituting an additional warranty. This document is provided solely for general informational purposes. Prysm shall not be liable for technical or editorial errors or omissions contained herein. Video wall display characteristics may vary from the tile display characteristics specified herein based upon factors including, but not limited to, the size of the video wall and display configuration settings. All trademarks mentioned herein are the property of their respective owners.