

Prysm 98 Visual Workspace Solution

Transform your workplace with the Prysm 98 Visual Workplace Solution powered by the Prysm Application Suite. Prysm Visual Workplace Solutions deliver powerful features with an interface that's as easy to use as a tablet. Packed with tools that bring together people, content and ideas, they display streaming video, web apps, documents, presentations, images and inputs from laptops and mobile devices with a simple tap. Size, position and annotate any content on screen through the touch interface. Mirror up to ten Visual Workplaces to extend real-time collaboration across multiple sites. With Prysm Visual Workplace Solutions, you'll streamline workflow, increase productivity, accelerate decision making and change the way you work – forever.

For more information, contact us at sales@prysm.com, +1.408.586.1178 or 1.877.99.PRYSM.



Target Applications

Room Types	Conference rooms Team spaces Board rooms Briefing centers Training rooms Demo centers
Room Size	Medium rooms, 6 – 12 people
Ambient Light	Suitable for normal indoor ambient lighting conditions (avoid direct sunlight)

Display Characteristics

Display Resolution (W × H)	3840 × 2160 pixels
Refresh Rate	100/120 Hz
Max Input Resolution and Frame Rate	3840 × 2160 @ 60 Hz
Total Pixel Count	8.3 million
Display Active Area (W × H × diagonal)	85.0 in × 47.8 in × 97.5 in 2159 mm × 1214 mm × 2477 mm
Display Aspect Ratio (W/H)	16 : 9
Display Color	>1 billion colors, 10 bit data path
Panel Brightness (typical)	450 cd/m ²
Panel Contrast Ratio	1170:1
Backlight Illumination	Direct LED
Response Time (typical)	8 ms
Pixel Pitch	0.56 mm × 0.56 mm
Ideal Viewing Distance	3 – 40 ft 1 – 12 m
Display Dimensions (W × H × D, with handles)	87.4 in × 50.2 in × 4.6 in 2219 mm × 1274 mm × 116 mm
Cover Glass	Chemically-strengthened, glass 60, 6H hardness
Touch Type	High-resolution IR
Touch Points	12 simultaneous touch points
Touch Resolution	Sub-pixel
Touch Update Rate	>100 fps
Touch Latency	10 ms
Touch Accuracy	2.7 mm (0 mm with 10mm stylus)
Audio	Two rear facing speakers, 10 W each

Application Appliance (X30)

Video Output	NVIDIA® Quadro® K1200 (4x Mini DisplayPort 1.2)
Video Capture/Input ¹	4x HDMI 1.4a
Processor	Intel® Xeon E3
Storage	256 GB SSD
Dimensions (W × H × D)	13.3 in × 3.6 in × 15.1 in 337 mm × 100 mm × 384 mm

¹HDMI inputs accept HDMI live source inputs at 720p @ 60 Hz and 1080p @ 60 Hz, such as laptops, tablets, VTC, HDTV, etc...

...continued on reverse

Environmental

	Display	Application Appliance
Weight	308.6 lbs, 140.0 kg	16.0 lbs, 7.2 kg
Power Consumption	Max: 610 W Typical: 458 W Standby: ≤ 0.5 W	Max: 155 W Typical: 130 W Sleep: 2.1 W
Heat Output	Max: 2081 BTU/hr Typical: 1563 BTU/hr	Max: 890 BTU/hr Typical: 444 BTU/hr
Operating Temperature	41 – 104 °F 5 – 40 °C	40 – 95 °F 5 – 35 °C
Storage Temperature	-4 – 140 °F -20 – 60 °C	-40 – 140 °F -40 – 60 °C
Humidity (non-condensing)	Up to 90% RH	Up to 85% (operating)
Power Supply	100 – 240 VAC	100 – 240 VAC
IP Rating	50	50

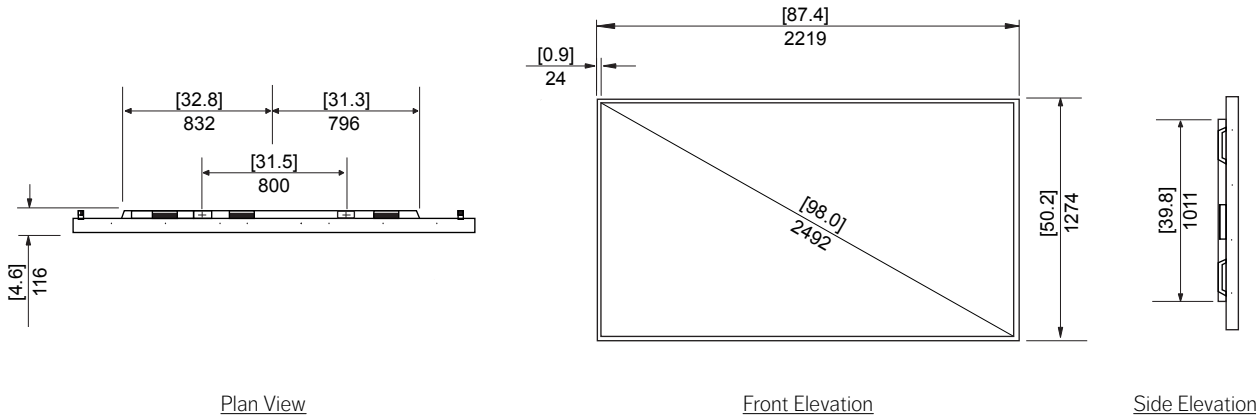
Regulatory

FCC	FCC CFR Title 47 Part 15 Subpart B: Class A, CISPR 22 ANSI C63.4 ICES-003 Issue 5
CE	EN 55022, EN 55024, EN 61000-3-2, EN 61000-3-3
cTUVus	UL 60950-1 CAN/CSA-C22.2 NO.60950-1-07
CB	IEC 60950-1

Wall Mount¹

VESA	400 mm × 800 mm
------	-----------------

¹For mounting recommendations refer to Technical Bulletin – Wall Mount Recommendations for Prysm 65, 85 and 98 LCDs (PN 551-00061-00).



Dimensions [in] mm

Contact us at sales@prysm.com, +1.408.586.1178 or 1.877.99.PRYSM with the following product information:

Product ID: PR-LCDAG-98
Part Number: 038-00035-00

Disclaimer:

The information contained herein is subject to change without notice. The only warranties for Prysm products and services are set forth in the express warranty statements accompanying the applicable customer agreement. Nothing herein should be construed as constituting an additional warranty. This document is provided solely for general informational purposes. Prysm shall not be liable for technical or editorial errors or omissions contained herein. Video wall display characteristics may vary from the tile display characteristics specified herein based upon factors including, but not limited to, the size of the video wall and display configuration settings. All trademarks mentioned herein are the property of their respective owners.