



# Polycom® HDX 7000™ Series

High Definition Quality for the Standard Conference Room

## Benefits

**High definition video** – Natural communication in 1280 x 720, with exceptional resolution even at lower data rates

**High definition voice** – Polycom Siren™ 22 and Polycom StereoSurround, offering superior audio performance

**High definition content sharing** – Enables graphic, presentation, and rich media content sharing with HD or any other video conferencing system and non-HD systems through People+Content and People+Content IP

**Embedded multipoint** – Optional 4-way embedded multipoint bridge allows for greater flexibility and participation

**Flexible connectivity** – Optional interfaces allow for easy access to your BRI, PRI or V.35 network

**Key element of a total Polycom video solution** – Seamless integration with the Polycom RMX 2000™ conference platform, Polycom ReadManager® SE 200 management and scheduling application, Polycom Video Media Center™ – VMC 1000 content management and multi-casting solution, and Polycom RSS™ 2000 recording and streaming server.

The Polycom HDX 7000 series provides flexible, affordable HD video conferencing for high-quality communication throughout mainstream workplace environments. Expanding the utility of visual communications quickly and easily, the HDX 7000 series is ideal for education, medical, enterprise, and on-demand collaboration applications.

## Enhancing collaboration with HD technology

Intuitive interfaces allow users to quickly adopt and use the HDX 7000 system, while a variety of bundle options enable the HDX 7000 series to be wall mounted, free standing, or easily wheeled to any location to accommodate video conferencing in any room. With embedded multipoint and content sharing capabilities, the HDX 7000 series allows individuals to collaborate in HD detail on content such as diagrams, project plans, multimedia presentations, and more.

Leveraging Polycom's renowned quality and designed to High Definition (HD) standards, the HDX 7000 series utilizes features such as Polycom HD Voice™ technology to deliver patented, crystal clear audio, and Polycom StereoSurround™ audio to separate room sounds into left and right channels to deliver physical-sense spatiality to opposite-end participants.

For rich media group presentations, the HDX 7000 series displays dynamic content and data in HD to enhance collaboration and audience participation. With Polycom People+Content™ collaboration technology, users can share presentations and live video simultaneously, allowing conference participants to interact naturally and dynamically.

## Make Great Things Happen With the Polycom HDX 7000 Series

In today's Internet driven world, the ability to conduct real time communication and collaboration has become critical to an organization's survival. As the market leader in voice, video, data and Web solutions, our award-winning conference technology makes it easy for people to interact and maximize productivity – over any network, in just about any environment, anywhere around the globe. That's why more organizations worldwide use and prefer Polycom conferencing solutions. Because when people work together, great things happen. See how you too, can achieve great things with the Polycom HDX 7000 series.



# Polycom HDX 7000 Specifications

## Models Available

- HDX 7001™ & 7002™ (includes EagleEye™ camera, codec, microphone array, cables and remote control)
- XL Package (includes People+Content and 2nd monitor)
- XLP Package (includes People+Content, 2nd monitor MPPlus and 4 Mbps line rate)

## Video Standards and Protocols

- H.264
- H.263++
- H.261
- H.239 / People+Content
- H.263 & H.264 Video Error Concealment

## People Video Resolution

- 720p, 30fps at 1 Mbps-2 Mbps (7002)
- 4SIF (704 x 480)/4CIF (704 x 576) at 256 Kbps-2 Mbps
- SIF (352 x 240), CIF (352 x 288)
- QSIF (176 x 120), QCIF (176 x 144)

## Content Video Resolution

- Up to 720p (7002)
- Input: SXGA (1280x1024), XGA (1024 x 768), SVGA (800 x 600), VGA (640 x 480)
- Output: XGA (1024x768), SVGA (800x600)

## Camera

- Polycom EagleEye Camera
  - 1280 x 720p CCD imager
  - 12X optical zoom
  - 72deg FOV at min zoom
  - +/- 100 deg pan range
  - +20/-30 deg tilt range
  - Output formats: SMPTE 296M 1280 x 720p, 50/60 FPS

## Audio Standards and Protocols

- Polycom StereoSurround
- 22 kHz bandwidth with Polycom Siren™ 22
- 14 kHz bandwidth with Polycom Siren 14 , G.722.1 Annex C
- 7 kHz bandwidth with G.722, G.722.1
- 3.4 kHz bandwidth with G.711, G.728, G.729A
- Automatic Gain Control
- Automatic Noise Suppression
- Keyboard Noise Reduction
- Live Music Mode
- Instant Adaptation Echo Cancellation
- Audio Error Concealment

## Other ITU-Supported Standards

- H.221 communications
- H.224/H.281 far-end camera control
- H.323 Annex Q far-end camera control
- H.225, H.245, H.241, H.331
- H.239 dual stream
- H.231 in multipoint calls
- H.243 chair control
- H.460 NAT/firewall traversal
- BONDING, Mode 1

## Network

- iPriority™ for QoS
- Interfaces
  - 2-port 10/100 auto NIC switch, RJ45 connectors
- H.323 up to 4 Mbps
- Loss Packet Recovery
  - LPR™ for QoS
  - Reconfigurable MTU size (IP only)
- SIP up to 2 Mbps
- H.320 (Optional)
  - ISDN Quad BRI
  - ISDN PRI T1 or E1
  - Serial (RS449, V.35, RS 530) up to 2 Mbps
  - Auto SPID detection and line number configuration

## User Interface

- COD (PathNavigator™ Conference on Demand)
- Directory Services
- System Management
  - Web-based
  - SNMP
  - GMS
- CDR
- International languages (16)

## Security

- Secure Web
- Secure Telnet
- Security mode
- Embedded AES FIPS 197, H.235V3 and H.233/234
- Secure password authentication

## Options

- People+Content
- H.320 Network Interfaces
- MPPlus software for up to 4 sites
- 2nd Monitor

- Network Interfaces Modules
- 4 Mbps data rate (multipoint only)

## Electrical

- Auto sensing power supply
- Typical operating voltage/power 189VA @ 115V @ 60 Hz @ .67 PF
- Typical operating voltage/power 192VA @ 230V @ 60 Hz @ .66 PF
- Typical operating voltage/power 196VA @ 230V @ 50 Hz @ .65 PF

These numbers were empirically collected under TYPICAL operating conditions. No attempt was made to force max power consumption. Voltages and currents are RMS. Power units are Volt-Amp.

## Environmental Specification

- Operating Temperature: 0-40oC
- Operating Humidity: 10-80%
- Non-Operating Temperature: -40 o -70o C
- Non-Operating Humidity (Non-condensing): 10-90%
- Maximum altitude: 10,000 feet

## Physical Characteristics

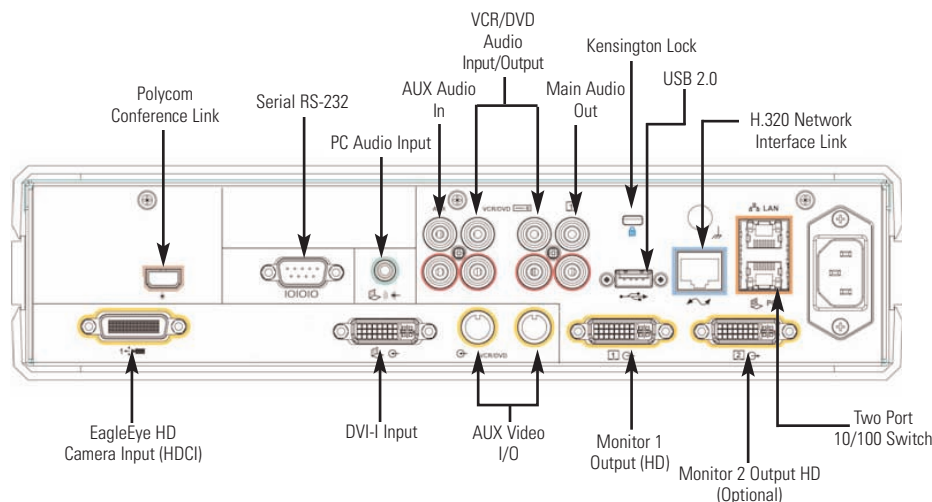
- HDX 7000 Base Box with removable stand
  - 13.87" (H) x 5.08" (W) x 11" (D)

## Warranty

- One-year return to factory parts and labor
- 90-day software warranty

## Technical Documentation

- Documentation for setting up, maintaining, and using the system, available at [www.polycom.com/videdocumentation](http://www.polycom.com/videdocumentation)



©2007 Polycom, Inc. All rights reserved.

Polycom, the Polycom logo and Read/Manager are registered trademarks and HDX 7000, HDX 7001, HDX 7002, EagleEye, iPriority, LPR, Lost Packet Recovery, RMX 2000, Polycom HD Video, People+Content, Video Media Center, StereoSurround, RSS and Siren are trademarks of Polycom, Inc. in the U.S. and various countries. All other trademarks are the property of their respective owners. Information is subject to change without notice.



### Polycom Headquarters:

4750 Willow Road, Pleasanton, CA 94588 (T) 1.800.POLYCOM (765.9266) for North America only.  
For North America, Latin America and Caribbean (T) +1.925.924.6000, (F) +1.925.924.6100

### Polycom EMEA:

270 Bath Road, Slough, Berkshire SL1 4DX, (T) +44 (0)1753 723000, (F) +44 (0)1753 723010

### Polycom Asia Pacific:

8 Shenton Way, #11-01, Singapore 068811 (T) +65.6389.9200, (F) +65.6323.3022

Part No. 3726-47146-001 Rev. 1/08