

TS-1542/TS-1542-C
15.6" HD Touch Screen

DO Install the Touch Screen

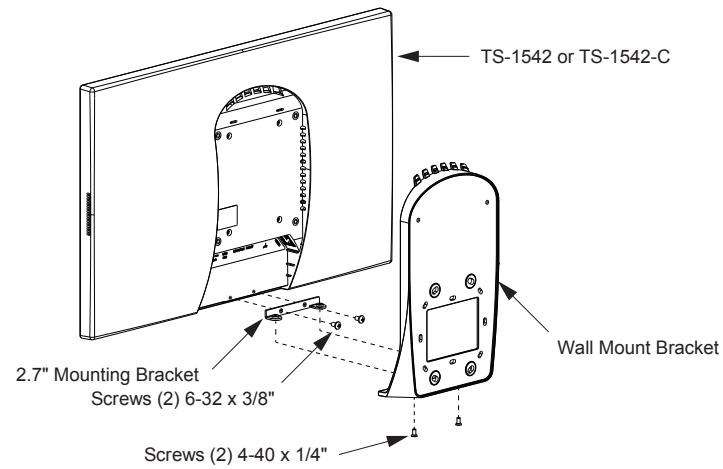
The Crestron® TS-1542 and TS-1542-C touch screens install easily over a standard, 1-gang (horizontally mounted) or 2-gang U.S., 1- or 2-gang U.K., or 1- or 2-gang European electrical box using the included wall mount bracket. They are also suitable for installation using a VESA mount. The TS-1542-TILT and TS-1542-TILT-C models can be placed on a tabletop.

Mounting into an Electrical Box

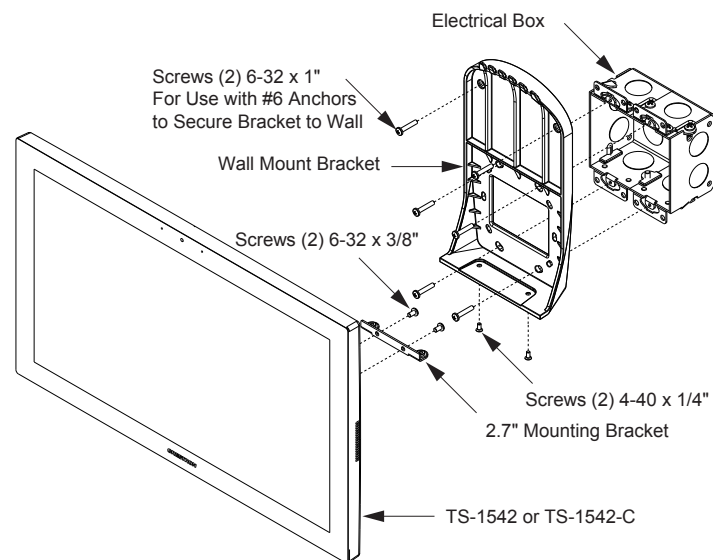
To mount the TS-1542 or TS-1542-C into an electrical box, use the following procedure:

1. Use the two included 6-32 x 3/8" screws to attach the 2.7" bracket to the rear of the touch screen, as shown in the illustrations that follow step 4.
2. Holding the wall mount bracket in position on the electrical box, mark the location on the wall above the electrical box for the top two holes on the bracket.
3. Use four appropriate screws (not included) to attach the wall mount bracket to the electrical box. Use the two included anchors and the two included 6-32 x 1" Phillips screws to secure the wall mount bracket to the wall above the electrical box.
4. Place the TS-1542 or TS-1542-C in position on the wall mount bracket and secure it with the two included 4-40 x 1/4" Torx® screws.

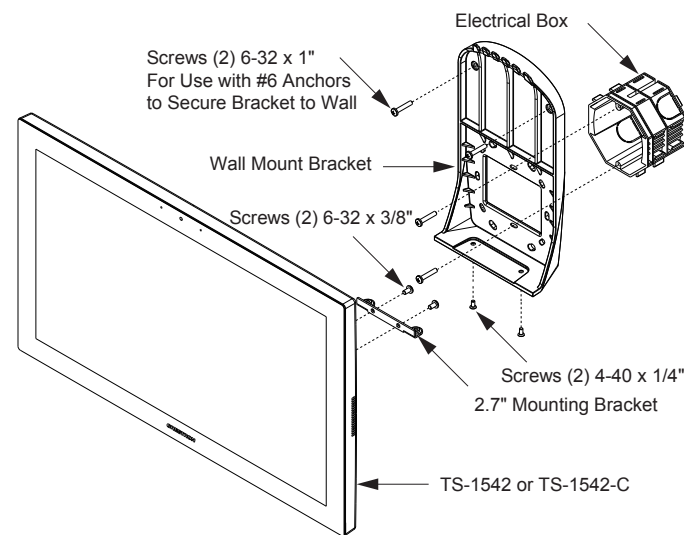
Attaching 2.7" Bracket to Rear of Touch Screen (Exploded View)



Mounting into a U.S. Electrical Box (Exploded View)



Mounting into a European Electrical Box (Exploded View)



DO Check the Box

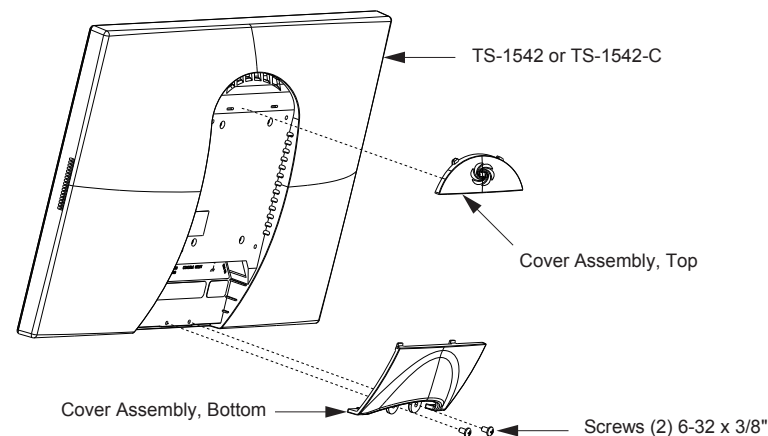
QUANTITY	PRODUCT	COLOR	PART NUMBER
1	Bracket, Mounting (for Interface Module)	Black	2016054
1	Insert, for TS-1542-IMCW	Black	4522556
1	Insert, for TS-1542-IMCW	White	4522555
1	Module, Interface, TS-1542-IMCW		4522550
1	Power Cord, 5' 10" (1.78 m)		2042043
1	Power Pack, 24 Vdc, 2.5 A, 100-240 Vac, 2-Pin Connector		4524089
2	Screw, 6-32 x 3/16", Pan Head, Phillips	Black	2007203
2	Screw, 6-32 x 1", Flat Head, Slot	Black	2013235
Items for the TS-1542-(C-)B-S Only			
1	Bracket, Wall Mount, 4.63" x 8.16" x 1.53"	Gray	4522697
1	Cover Assembly, Bottom	Gray	4522696
1	Cover Assembly, Top	Gray	4523045
Items for the TS-1542-(C-)W-S Only			
1	Bracket, Wall Mount, 4.63" x 8.16" x 1.53"	White	4523502
1	Cover Assembly, Bottom	White	4523501
1	Cover Assembly, Top	White	4523500
Items for the TS-1542-(C-)B-S and TS-1542-(C-)W-S Only			
2	Anchor, Wall, Plastic, #6 x 1-1/4"		2043585
1	Bit, Torx®, T8, Security		2025915
1	Bracket, Wall Mount, 2.70" x 0.31" x 0.52"		2043962
2	Screw, 4-40 x 1/4", Flat Head, Torx	Black	2025311
2	Screw, 6-32 x 3/8", Pan Head, Phillips		2007231
2	Screw, 6-32 x 1", Pan Head, Phillips		2007251
4	Screw, M4 x 8 mm, Pan Head, Phillips		2041962
4	Washer, Lock, M4, 7.6 mm OD, 4.1 mm ID, 0.9 mm TH		2041964
Items for the TS-1542-(C-)B-S and TS-1542-TILT-(C-)B-S Only			
1	Cable, Ethernet, CAT5e, 3' (0.91 m), Shielded	Black	2046082
1	Cable, Ethernet, CAT5e, 6' (1.83 m), Shielded	Black	2045440
Items for the TS-1542-(C-)W-S and TS-1542-TILT-(C-)W-S Only			
1	Cable, Ethernet, CAT5e, 3' (0.91 m), Shielded	White	2046083
1	Cable, Ethernet, CAT5e, 6' (1.83 m), Shielded	White	2045441

VESA Mounting

To install the TS-1542 or TS-1542-C using a VESA mount, use the following procedure (refer to the illustration below):

1. Gently snap the included top cover assembly into place on the rear of the touch screen.
2. Use the two included 6-32 x 3/8" screws to attach the bottom cover assembly to the rear of the touch screen.
3. Use the four included M4 x 8 mm screws to attach the touch screen to the VESA mount. If the holes on the VESA mount are large, use the four included M4 washers to help secure the M4 screws.

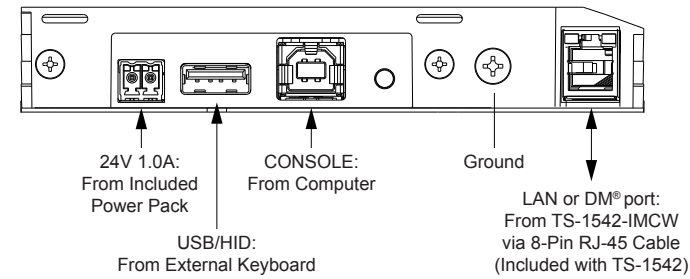
VESA Mounting



DO Connect the Touch Screen

Make connections to the touch screen using Crestron power supplies for Crestron equipment. Power and data connection to the TS-1542 can be provided by a single **Power over Ethernet+ (PoE+)** connection to the LAN port at the rear of the unit, as supplied by the Crestron CEN-SWPOE-16 (sold separately). Apply power after the Ethernet cable is connected.

Hardware Connection for the TS-1542 and TS-1542-C

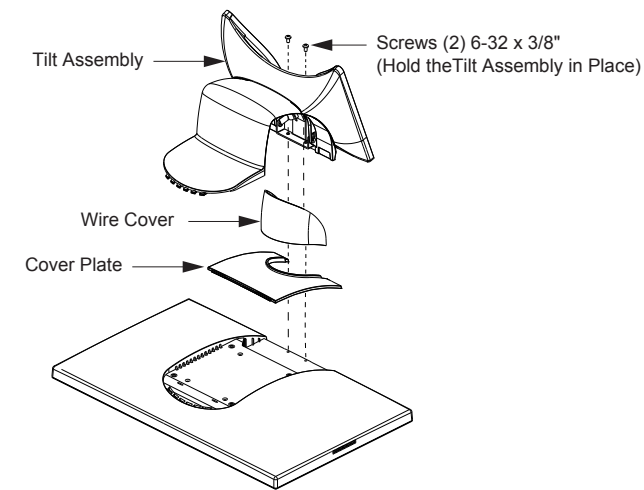


For the TS-1542 and TS-1542-TILT models, power can be applied via a PoE+ connection to the LAN port or 24 Vdc.

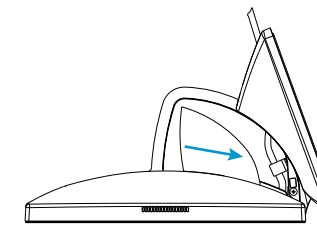
To gain access to the ports and install cables on TS-1542-TILT and TS-1542-TILT-C models, use the following procedure:

1. Remove the two screws that hold the tilt assembly in place, and then remove the tilt assembly. (Refer to the “Tilt Assembly Removal” illustration in the next column.)
2. Remove the two covers under the tilt assembly. (Refer to the “Tilt Assembly Removal” illustration.)
3. Attach the required cables to the unit, routing them through the clamp and the slot of the tilt assembly neck. To provide strain relief, ensure the clamp is secured tightly.
4. Reinstall the wire cover by sliding it over the ring on the cover plate and snapping it into place. (Refer to the “Wire Cover Reinstallation” illustration in the next column.)
5. Reinstall the cover plate by sliding it into place at an angle, and then pressing it toward the touch screen to lock it in. (Refer to the “Cover Plate Reinstallation” illustration in the next column.)
6. Reinstall the tilt assembly using the two screws removed in step 1.

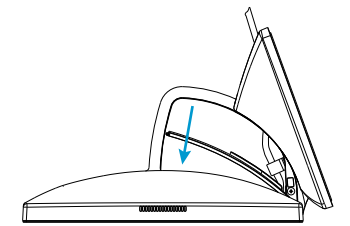
Tilt Assembly Removal



Wire Cover Reinstallation



Cover Plate Reinstallation



DO Adjust the Tilt (Tilt Models Only)

To adjust the screen angle of a TS-1542-TILT or TS-1542-TILT-C touch screen, do the following:

1. Grip the touch screen by the bottom corners.
2. Firmly push or pull, and the touch screen will glide in its base in the direction that force is applied.

NOTE: Minimum tilt angle is 23° from vertical. Maximum tilt angle is 45° from vertical.

DO Access the Setup Screens

The setup screens enable basic configuration prior to regular operation of the TS-1542 or TS-1542-C. To display the main setup screen, touch the screen while applying power to the unit.

NOTE: If no project has been loaded or if an invalid project has been loaded, the touch screen defaults to the main setup screen.

During regular operation of the TS-1542 or TS-1542-C, there are two ways to access the setup screens:

- Place a button on the project main page and assign the reserved join number (17242) that accesses the setup screens.
- Touch the screen with five fingers simultaneously, for more than 15 seconds.

The **TS-1542 Setup** screen is displayed.

DO Learn More

Visit the website for additional information and the latest firmware updates. To learn more about this product, use a QR reader application on your mobile device to scan the QR images.

Crestron Electronics

15 Volvo Drive, Rockleigh, NJ 07647
888.CRESTRON | www.crestron.com

TS-1542



TS-1542-C



CE As of the date of manufacture, the product has been tested and found to comply with specifications for CE marking.

Federal Communications Commission (FCC) Compliance Statement

This device complies with part 15 of the FCC Rules. Operation is subject to the following two conditions:

(1) This device may not cause harmful interference, and (2) this device must accept any interference received, including interference that may cause undesired operation.

CAUTION: Changes or modifications not expressly approved by the manufacturer responsible for compliance could void the user's authority to operate the equipment.

NOTE: This equipment has been tested and found to comply with the limits for a Class B digital device, pursuant to part 15 of the FCC Rules. These limits are designed to provide reasonable protection against harmful interference in a residential installation. This equipment generates, uses and can radiate radio frequency energy and, if not installed and used in accordance with the instructions, may cause harmful interference to radio communications. However, there is no guarantee that interference will not occur in a particular installation.

If this equipment does cause harmful interference to radio or television reception, which can be determined by turning the equipment off and on, the user is encouraged to try to correct the interference by one or more of the following measures:

- Reorient or relocate the receiving antenna.
- Increase the separation between the equipment and receiver.
- Connect the equipment into an outlet on a circuit different from that to which the receiver is connected.
- Consult the dealer or an experienced radio/TV technician for help.

Industry Canada (IC) Compliance Statement

CAN ICES-3(B)/NMB-3(B)

Crestron product development software is licensed to Crestron dealers and Crestron Service Providers (CSPs) under a limited non-exclusive, non-transferable Software Development Tools License Agreement. Crestron product operating system software is licensed to Crestron dealers, CSPs, and end-users under a separate End-User License Agreement. Both of these Agreements can be found on the Crestron website at www.crestron.com/legal/software_license_agreement.

The specific patents that cover Crestron products are listed at <http://www.crestron.com/legal/patents>.

The product warranty can be found at www.crestron.com/warranty.

Certain Crestron products contain open source software. For specific information, please visit www.crestron.com/opensource.

Crestron, the Crestron logo, and DM are either trademarks or registered trademarks of Crestron Electronics, Inc., in the United States and/or other countries. Torx is either a trademark or registered trademark of Acument Intellectual Properties, LLC in the United States and/or other countries. Other trademarks, registered trademarks, and trade names may be used in this document to refer to either the entities claiming the marks and names or their products. Crestron disclaims any proprietary interest in the marks and names of others. Crestron is not responsible for errors in typography or photography.

This document was written by the Technical Publications department at Crestron.

©2016 Crestron Electronics, Inc.