

WOLFVISION[®]

**INSTRUCTIONS
BEDIENUNGSANLEITUNG**
VZ-9.4L



ENGLISH / DEUTSCH

Check out our Internet Homepage for additional information
www.wolfvision.com/support

Precautions

ENGLISH



WARNING!
Risk of electric shock
Dangerous voltage inside



Please observe the following:

- Use this Visualizer only with the correct voltage as shown on the type label !
- Do not expose the Visualizer to heat or moisture !
- Protect the Visualizer from excessive shocks !
- Make sure that sufficient air circulation for cooling the Visualizer is possible (ventilation slots on the lamp housing)!
- If there is any abnormality (abnormal noise, smell, smoke etc.) disconnect the Visualizer from mains immediately and contact your Visualizer dealer!
- Do not use a damaged power supply / power cord. This may cause short circuits or electrical shocks!
- To prevent danger, do not modify the Visualizer or operate without the cover panel firmly in place!
- Do not expose the Visualizer to water, metallic objects or any flammable material.
- Avoid installing the Visualizer in locations exposed to strong magnetic fields or electrical currents.
- Avoid installing the Visualizer in environments where there is radiation. This could cause monitor image distortion or damage to the camera sensor.
- Do not pull the plug from the power socket with wet hands!
- If the Visualizer is not used for a long time, disconnect it from mains!
- The external power supply has to be approved by CSA or UL in accordance to CSA 22.2-60950 or UL 1950. The outputs have to be LPS (limited power source) rated!

Precautions for LED light according EN62471:



- LED lighting system - Do not stare into beam!
- Do not modify the LED lighting system!
- Do not view the light beam with optical instruments!
- Ne pas regarder dans l'objectif lorsque le visualiseur est en marche!

Precautions for the laser pointer:

- Laser light - Do not stare into beam!
- Do not modify the laser! Do not view the laser beam with optical instruments!

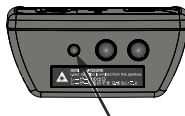
Information for laser pointer

FDA accession number: 9912688-00
This device complies with 21 CFR 1040.10 and 1040.11



Technical data:
 $\lambda = 635 - 680\text{nm}$
 $P < 1\text{mW}$
 $\Theta \leq 2\text{mrad}$

This label will be found on the underneath of the remote control.



The laser beam exits the remote control through the smaller (left) opening on the front.

Precautions for laser center marker:

Laser light - Do not stare into beam!

Do not modify the laser! Do not view the laser beam with optical instruments!

Information for laser marker

FDA accession number: 9912688-00

This device complies with 21 CFR 1040.10 and 1040.11

Information for synchronized laser markers



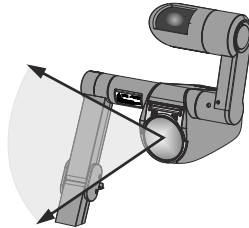
Technical data:

$\lambda = 635\text{nm}$

$P < 1\text{mW}$

$\text{cw/cp} = 2 - 28\text{ms}$

This label will be found on the camera arm.



The laser beam of the centre marker exits the unit through the camera lens.

Approval

Marks on the unit:



Tested to comply with FCC standards



Intertek



Warning!

This is a class A device. Operation of these equipment in a residential area is likely to cause harmful interference in which case the user will be required to correct the interference at his own expense.

FCC information:

This device complies with part 15 of the FCC rules. Operation is subject to the following two conditions: (1) this device may not cause harmful interference, and (2) this device must accept any interference received, including interference that may cause undesired operation.

Note:

This equipment has been tested and found to comply with the limits for a class A digital device, pursuant to part 15 of FCC rules. These limits are designed to provide reasonable protection against harmful interference when the equipment is operated in a commercial environment. This equipment generates, uses, and can radiate radio frequency energy and, if not installed and used in accordance with the instruction manual, may cause harmful interference to radio communications.

Operation of these equipment in a residential area is likely to cause harmful interference in which case the user will be required to correct the interference at his own expense.

Information to user:

The user manual or instruction manual for an intentional or unintentional radiator shall caution the user that changes or modifications not expressly approved by the party responsible for compliance could void the user's authority to operate the equipment.

This product is built according to Directive EMC and to Directive electrical equipment.

Inspections, tests and evaluation are according to UL 60950. CSA 22.22-60950

Inspections, tests and evaluation are according to the CB-Scheme

Inspections, tests and evaluation are according to the PCT-Scheme

Declaration of Conformity

We, the company WolfVision GmbH, Oberes Ried 14, A-6833 Klaus, refer to the self-declaration of the company TP-Link, which is shown on the next page. Our products operate this wireless adapter within the country-specific standards, and hereby comply with all technical regulations.

Klaus, 17. Juli 2013

WolfVision GmbH

A handwritten signature in blue ink, appearing to read "Martin Wolf".

Martin Wolf

DECLARATION OF CONFORMITY

For the following equipment:

Product Description: **N600 Wireless Dual Band USB Adapter**

Model No.: **TL-WDN3200**

Trademark: **TP-LINK**

We declare under our own responsibility that the above products satisfy all the technical regulations applicable to the product within the scope of Council Directives:

Directives 1999/5/EC, Directives 2006/95/EC, Directives 1999/519/EC, Directives 2011/65/EU

The above product is in conformity with the following standards or other normative documents:

ETSI EN 300 328 V1.7.1: 2006

ETSI EN 301 489-1 V1.8.1:2008 & ETSI EN 301 489-17 V2.1.1:2009

EN60950-1:2006+A11:2009+A1:2010

EN62311:2008

EN 301 893

EN 302 502

The product carries the CE Mark:



Person is responsible for marking this declaration:

A handwritten signature in black ink, appearing to read 'Yang Hongliang', is written over a light blue grid background.

Yang Hongliang

Product Manager of International Business

Date of issue: 2012

TP-LINK TECHNOLOGIES CO., LTD.

Building 24 (floors 1, 3, 4, 5), and 28 (floors 1-4) Central Science and Technology Park,
Shennan Rd, Nanshan, Shenzhen, China

Copyright Information

Copyright © by WolfVision. All rights reserved.

WolfVision, Wofu Vision and 沃福视讯 are registered trademarks of WolfVision Holding AG, Austria.

No part of this document may be copied, reproduced, or transmitted by any means, without prior written permission from WolfVision. Except documentation kept by the purchaser for backup purposes.

In the interest of continuing product improvement, WolfVision reserves the right to change product specifications without notice.

Information in this document may change without notice.

Disclaimer: WolfVision shall not be liable for technical or editorial errors or omissions.

The units are "MADE IN EU/AUSTRIA"

Printed in Austria, October 2015

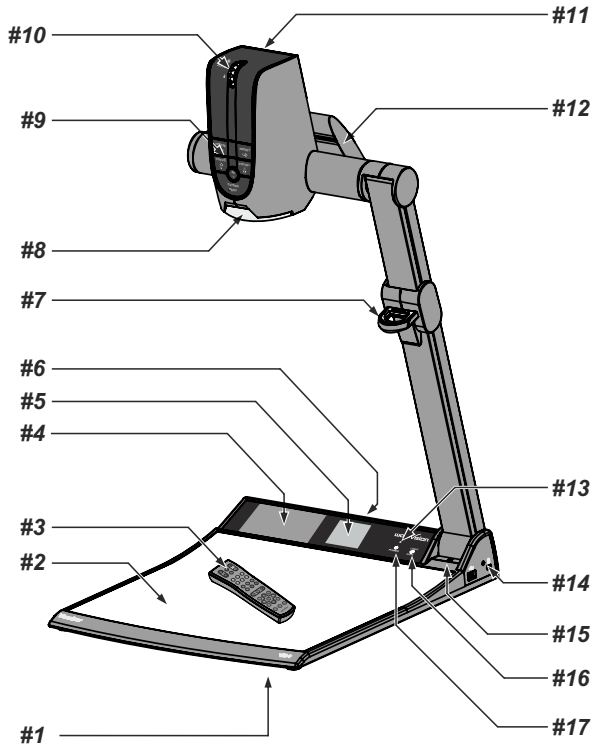
Worldwide Patents

EU 1 483 529
RU 2279602
US 7,104,512
TW I 247964
KR 0576806

RU 2265284
US 7,035,011
TW I 226969
DE 202 03 785.1
AT-U 7841

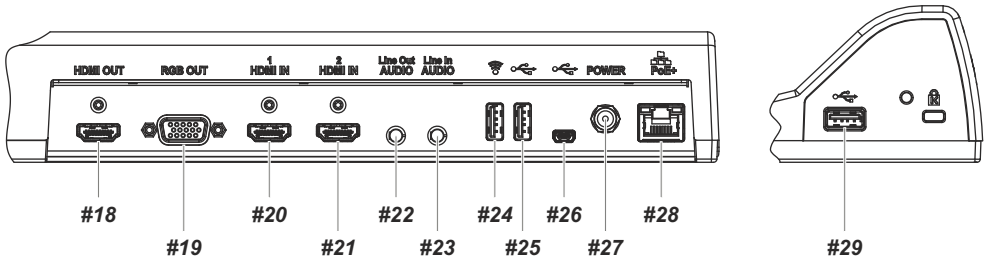
FR 03 02886
JP 3 096 342
and others

Components of the Visualizer



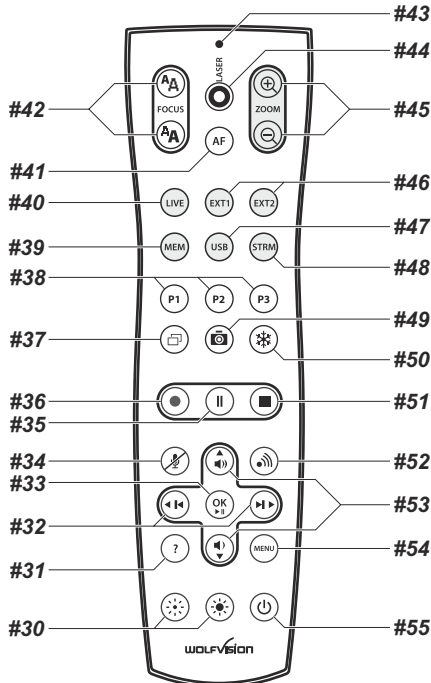
- #1 **Alternative Anti-theft security** (*thread found underneath the unit as shown on page 26*)
- #2 **Working surface** (*see page 11*)
- #3 **IR-remote control** (*see pages 7, 8 and 25*)
- #4 **Preview monitor** (*see page 11*)
- #5 **Light field for slides** (*see page 12*)
- #6 **Connectors** (*on the back and on the side as shown on next page*)
- #7 **Pull ring** to lift the arm up/down (*see page 10*)
- #8 **Close up lens** for camera (*see page 12*)
- #9 **Camera keys** (*see page 9*)
- #10 **Zoom wheel** (*see page 9*)
- #11 **IR-receiver camera head**
- #12 **Light source**
- #13 **IR-receiver base**
- #14 Slot for **Kensington lock®** (*see page 26*)
- #15 **Microphone** built-in (*see page 22*)
- #16 **LIGHT** key (*see page 9*)
- #17 **POWER** key (*see page 9*)

Connectors (#6)



- #18 **HDMI OUT**put (see page 20)
- #19 **RGB OUT**put (15pin) (see pages 20)
- #20 **HDMI IN 1** input for external HDMI-signals (see page 21)
- #21 **HDMI IN 2** input for external HDMI-signals (see page 21)
- #22 **AUDIO Line Out** output for audio signals (see page 22)
- #23 **AUDIO Line In** input for audio signals (see page 22)
- #24 **USB** port to optional **WLAN dongle** (see pages 18 and 24)
- #25 **USB** port to **Client** (identical function as #24 and #29)
- #26 **USB** port to **Host** (to computer) (see page 23)
- #27 **Power connection** 12V DC
- #28 **LAN** port 10/100 Tbase with PoE+ functionality (see pages 18, 23 and 24)
- #29 **USB** port to **Client** (to peripheral devices, external storage units) (see pages 15, 16, 23 and 25)

Infrared Remote Control (#3)



Keys on the IR-Remote Control

#30 Manual EXPOSURE keys (brightness adjustment)

When the EXPOSURE keys are pressed, the Visualizer changes the image brightness (see page 13).

#31 ? HELP / RESET key for on-screen menu (double function)

Shows the info screen to inform you about current state of recording and audio (see page 13).

While you are in the on-screen menu you can activate the on-screen help by pressing the HELP key.

Pressing this key for 2 seconds resets the selected menu item (see page 19).

#32 Backward-Forward keys / MENU NAVIGATION keys (double function)

For navigating through the memory in MEM and USB mode (see page 16).

For navigating through the on-screen menu while it is activated (see page 19).

#33 OK key

Acts as Enter key while the on-screen menu (see page 19), MEM or USB mode is activated (see page 16).

#34 Audio Mute key

Mutes the Audio inputs.

#35 Video Recording Pause key

Pauses video recording, click again to resume (see page 15).

#36 Video Recording key

Start video recording (see page 15).

#37 PiP key

For activating the Picture in Picture mode for Live to Freeze comparison (see page 17).

#38 PRESET keys (programmable settings)

For storing a preset, press one of the PRESET keys for more than 2 seconds. For recalling a preset, press the PRESET key quickly (see page 13).

#39 MEM key

For displaying pictures and videos of the built-in memory (see page 16).

#40 LIVE key

For displaying the live image of the camera (see page 16).

#41 AUTO FOCUS (AF) key

Pressing this key toggles the Auto Focus on and off (see page 13).

#42 Manual FOCUS keys

For focusing the picture (see page 13).

#43 LASER POINTER indication LED

Indicates active Laser LED.

#44 LASER POINTER key

Important: Do not stare directly into the laser beam. This is hazardous for your eyes!

#45 ZOOM keys

Controls the camera zoom to change size of pick-up area.

#46 EXT1 and EXT2 keys

Shows the signal of the external inputs, use the LIVE key to display the live image again (see page 21).

#47 USB key

For displaying pictures and videos of the USB memory (see page 16).

#48 STRM key

Shows the signal of the received stream (see page 18).

#49 SNAPSHOT key

Pressing this key activates the SNAPSHOT function (see page 15).

#50 FREEZE key

Freezes the current image (see page 13).

#51 Video Recording Stop key

Stops video recording (see page 15).

#52 Stream key

Starts and stops streaming over the network (see page 18).

#53 Audio Volume keys / MENU NAVIGATION keys (double function)

To increase / decrease volume of audio output.

For navigating through the on-screen menu while it is activated (see page 19).

#54 MENU key

Pressing MENU key activates the on-screen menu (see page 19).

#55 POWER key

Pressing this key switches the unit on and off. When powering on, the Visualizer runs the power-on preset.

Keys on the Visualizer

One of the great features of WolfVision's Portable Visualizers is that only the most necessary keys are on the unit itself. Therefore anyone can use it without instructions. For more experienced users there are some additional functions on the remote control of the Visualizer. Nearly all functions on the remote control can also be controlled through the keys on the camera head:

Base

The POWER and the LIGHT keys are capacitive touchsensors, just touch it to switch on/off (keep sensor area clear).

#16 LIGHT key

Switches the top light on and off.

It toggles between top light, light field for slides and light off.

The LIGHT key also works as ONE PUSH WHITE BALANCE key if pressed for 2 seconds (see page 14).

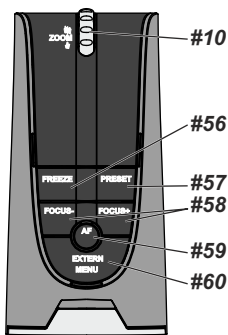
Please note, when activating the slide light field, the Visualizer zooms to slide picture size.

#17 POWER key

Switches the unit on and off. When switching the unit on, the Visualizer automatically runs power-on preset.

Camera Head

Standard mode



#10 ZOOM WHEEL

Turn the wheel down to zoom in (TELE), and up to zoom out (WIDE). The more you turn the ZOOM WHEEL, the faster the zooming works.

#56 FREEZE key / menu: **select key - left**

Freezes the current image. The FREEZE light indicates if the FREEZE-mode is activated.

When on-screen menu is activated, it works as select key (see page 19).

#57 PRESET key / menu: **select key - right**

For storing the preset, press the PRESET key for more than 2 seconds. For recalling the preset, press the PRESET key quickly (see page 13).

When on-screen menu is activated, it works as select key (see page 19).

#58 Manual FOCUS keys / menu: **navigation key - up and down**

When the Manual FOCUS keys are pressed the Visualizer switches off the autofocus function.

Using the AF-key switches the autofocus function on again (see page 13).

When the on-screen menu is activated, it functions as navigation keys (see page 19).

#59 AUTO FOCUS (AF) key / menu: **help key**

Switches the auto focus on and off. The AF light indicates if the AF is switched on (see page 13).

When on-screen menu is activated, it functions as Help key. Pressing this key for 2 seconds resets the selected menu item (see page 19).

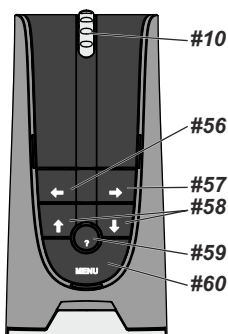
#60 EXTERN key / menu **key**

Switches between Visualizer image and external input (for more details - see page 21).

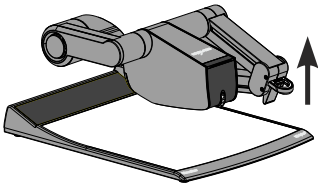
The EXTERN light indicates that a signal from the external input is shown.

Pressing this key for 2 seconds activates the on-screen menu (see page 19).

Menu mode



Setting Up the Visualizer



1. Connect the power pack to the power-input (#27).
2. Connect your display device (projector, monitor, video conferencing unit etc.) to the appropriate output of the Visualizer (#18, #19, 28 or #29).

IMPORTANT:

For choosing the right output please read the detailed description on pages 22ff!

3. Using the pull ring (#7) only to lift the arm upwards. Camera head and light automatically move into the working position. The Visualizer is switched on automatically. Alternatively the Visualizer can be switched on by touching the POWER key (#17 or #55).

IMPORTANT:

To fold the Visualizer, use pull ring only (#7)!

Power-on preset:

The power-on preset is automatically activated when switching on the unit.

The settings are: zoom size: width approx. 20cm (DIN A5), autofocus: on, auto iris: on.

As soon as the Power Indication LED stays green illuminated, you can start working with the Visualizer.

The behavior of the unit once the power has been supplied or after the POWER key has been pressed can be changed in the unit's on-screen menu (see page 19).

Operating the Visualizer for the first time - Quick Setup Guide

When the Visualizer is switched on the first time, the Quick Setup Guide will be started automatically on-screen (visible on HDMI-, RGB output and built-in display). Use the arrow keys to navigate through the menu.

The settings are:

Language

Select the desired language for the on-screen menu.

Ethernet Settings

The IP-address, Subnet Mask and Gateway IP-address can be set automatically by a DHCP-server or manually.

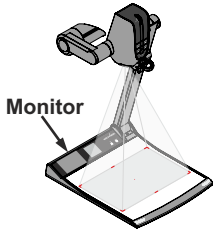
Time Settings

The Visualizer offers the possibility to use the internal clock or an external time server (a time valid time server IP address and internet connection are required).

Audio Settings

Set up audio configuration. Line-In is switched off by default and can be activated when needed.

Shooting Area on the Working Surface



The synchronized laser markers make positioning of objects very easy by marking the corners of the picked-up image on the working surface. The laser center marker zooms synchronous to the camera zoom and shows the 16:9 pick-up area of the camera.

Additionally the built-in LCD monitor eliminates the need for an extra control monitor. This monitor can show different signals, like always live image from the Visualizer, even when the signal on main output is frozen, or always the same than the main output (selectable in the on-screen menu - see page 19). The on-screen menu is also visible on this LCD monitor.

Working Surface (#2)

The working surface of the Visualizer has a special crystalline white color, which is especially designed for perfect reproduction of transparencies.

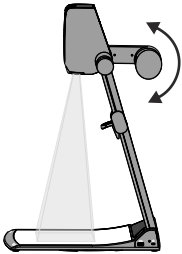
In the following cases, an optional lightbox is recommended:

- If the transparency is very dark
- If the transparency is very wavy and causes reflections
- If the room light causes reflections on a transparency

The optional whiteboard foil can be used for direct annotation with special whiteboard markers. WolfVision offers spare whiteboard foils.

More information at www.wolfvision.com (*Products/Accessories*)

Reflections



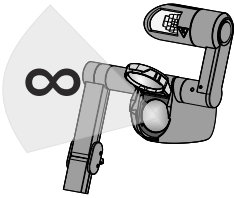
In order to eliminate reflections (on high gloss photographs etc.) just turn the light upwards or downwards slightly (default position is horizontal).

It is also possible to move the document and rotate the camera head to the center of the desired pick-up area to eliminate reflections.

The curvature of the working plate is specially designed to eliminate reflections.

Please note that reflections can also be caused by general room lighting conditions.

Shooting Area Outside of the Working Surface

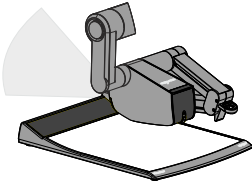


Close-up adaptor lens

For shooting an object outside of the working surface, the close up lens (#8) has to be tipped up. It is impossible to remove the lens completely from the unit and therefore it cannot get lost.

When using the Visualizer to record on the working surface again, put the close up lens back to its original position.

The camera can be tilted by 290° (110° to the speaker and 180° to the audience).



Turning the light / flexible viewing angle

In order to enable recordings with illumination outside of the working surface, the light of the Visualizer can be turned vertically.

To record at a lower viewing angle than the normal working position, just fold the arm of the Visualizer as much as required, turn the camera head and the light to pick up the desired object.

By default, the unit activates the stand by mode when the arm will be folded. This behavior can be changed in the unit's on-screen menu (see page 19).

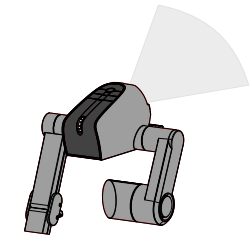
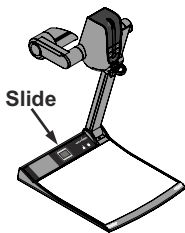


Image Flip

By turning the camera head to record in front of the Visualizer, the image will automatically be turned 180 degrees ("image flip"). This feature is very useful for recording the face of the presenter or objects hanging on the wall behind the unit.

Picking-up Slides



Place the slide onto the built-in light field, turn the camera head until the slide is in the middle of the recorded image and switch on the back light by touching the LIGHT key (#16). The camera zooms in and focuses on the the slide automatically.

Focusing / Autofocus

Please note that objects with very low contrast (like a blank sheet of paper) are difficult to focus. If the autofocus does not work just move the object slightly.

For special applications the autofocus can also be switched off using the on/off switch (#41 or #59). The autofocus is also switched off when the manual FOCUS keys (#42 or #58) are used.

Optical Zoom / Digital Zoom

Please note that the Visualizer has an **optical 16x zoom**. The digital 4x zoom increases the overall zoom range to a **64x zoom**. The smallest pickup size on the working surface without digital zoom is 25 x 19mm (1" x 0.8"). When you zoom in further the digital zoom is automatically activated and the smallest pickup size is **6 x 4mm (0.23" x 0.16")**. However please be aware that when the digital zoom is used, the resolution of the picture is not as good as before. The default setting displays a message on-screen when you are in the digital zoom mode.

The behavior of the Visualizer in the digital zoom mode can be changed in the on-screen menu (see page 19).

Automatic / Manual Exposure

WolfVision Visualizers are equipped with an auto exposure. This means that the brightness of the camera image adjusts automatically. Using the EXPOSURE keys (#30) manually darkens or brightens the image.

The standard auto exposure level (Image Brightness) can also be set brighter or darker in the unit's on-screen menu. When picking up areas with bright spots, Back Light Compensation can be switched on in the unit's on-screen menu - see page 19 and on-screen help.

Preset Function

The Visualizer offers the possibility to store the current settings as a Preset and recall them by just pressing the respective PRESET key (#38) on the remote control.

Preset 1 can be also controlled with the PRESET key on the camera head (#57).

For storing a preset: adjust any function as required and then press any one of the PRESET keys for 2 seconds or more. An on-screen message will inform you when the Preset is stored.

As mentioned above, when presets are stored all current settings such as zoom, focus, iris etc. are also stored. Contrary to this, a user also has the opportunity to assign specific functions such as LIGHT", "NEGATIVE", "NEGATIVE/BLUE", "BLACK/WHITE", "FREEZE" etc. to a PRESET key in the on-screen menu of the Visualizer (see page 19).

Hint:

When picking up documents in portrait and landscape orientation, assign the function „ASPECT RATIO" to a PRESET key. This will toggle the aspect ratio of the camera between 4:3 and 16:9 mode.

Freeze

The current image can be captured by pressing the FREEZE key (#50 or #56).

This can be used to prepare the next object while the audience is watching the frozen image.

Info Screen (status)

The info screen will be displayed by pressing the ? HELP key (#31) on the remote control.

Information like currently available recording time, recording state and audio settings will be displayed.

The info screen will be hidden after a few seconds automatically.

Status Icons

At the left lower corner, respective icons will inform you about active streaming, recording and mic status

White Balance Adjustment

Correct white balance adjustment is important for an exact color reproduction!

Each time the lighting condition changes, the Visualizer's camera must readjust its white balance, in order to optimize the color reproduction. The lighting condition (color temperature) changes, for example, if changing between the Visualizer's light and an external lightbox (bottom light) or if the room light is turning on or off.

The standard setting of the Visualizer is "**Auto Tracking**" white balance. This means that the white balance is continuously adjusted automatically.

For an exact white balance, at least 10% of the recorded image should be white.

For a precise fixed white balance adjustment use the "One Push" white balance. This can be done by pressing the LIGHT key (#16) for 2 seconds (or assigned PRESET key). When the white balance is stored an on-screen message appears. Setting a "One Push" white balance switches off the "Auto Tracking" mode (when the unit is switched off and on again the "Auto Tracking" mode will be reactivated).

Normally there is no need for a manual white balance adjustment. However, if the colors on the screen still appear to be wrong, the white balance can be adjusted manually (one-push):

Hints to perform a One-Push white balance:

Top light:

Zoom in on a white object (e.g. a sheet of paper) until there is only white on the screen and press the LIGHT key for 2 seconds.

Lightbox with transparencies:

Turn off the light of the Visualizer with the LIGHT key and switch on the lightbox. Remove everything from the lightbox, zoom to the smallest picture size until there is only white on the screen and press the LIGHT key for 2 seconds.

Lightbox with x-rays:

Turn off the light of the Visualizer with the LIGHT key and switch on the lightbox. Place an x-ray on the lightbox, zoom out until the whole x-ray is picked up and press the LIGHT key for 2 seconds.

Please note: False colors can also be caused by incorrect color settings on a connected projector or monitor. It is recommended to adjust the white balance of the Visualizer at first and if the results are still not satisfactory, the monitor or projector should be checked.

*For specialists: The Visualizer can be switched between "**Auto Tracking**", "**One Push**" and "**Manual**" white balance mode in the on-screen menu (see page 19). If you work with negative transparencies and a lightbox, use a blank (black in the image) part of the negative film for white balance adjustment! The "one Push" white balance will be separately adjusted and stored for top light, slide box and external lightbox (no light).*

Optional: Lightbox

When a lightbox is used, the top light of the Visualizer should be switched off with the LIGHT key. The recommended lightbox for the Visualizer is the WolfVision Lightbox LB-9.

Snapshot - Storing Single Shots

By pressing the SNAPSHOT key (#49) the current image is stored in the next free memory.

Built-in Memory (external storage device not connected)

The Visualizer uses internal memory with 8GB storage for snapshots and video recordings. Pictures (and videos) can be viewed on the Visualizer in the MEM mode.

All pictures are stored in JPG format with date and time stamp (WV_JJJJMMDD_hhmmss).

Example: WV_20150919_024735.jpg

An on-screen message will tell you the file name.

External storage device connected

The Visualizer uses the external storage device for snapshots and video recordings. The available space depends on the device used.

All pictures are stored in JPG format consecutively numbered with date and time stamp (WVxxxxx_JJJJMMDD_hhmm). *Example: WV000001_20150919_0247.jpg*

An on-screen message will tell you the file name.

Pictures (and videos) can be viewed on the Visualizer in the USB mode, or on a computer when respective picture viewing software is installed.

The properties of the USB functions can be changed in the on-screen menu (Advanced Settings - USB Stick Settings), like default folder (document directory) and the file names ("WV" and consecutively numbered).

Video - Recording Video Clips

The Visualizer supports video recording in a multimedia-container format with codec H.264 inclusive audio (video file extension is *.avi).

Just select the desired video source (camera live image, external HDMI or memory) and audio source (HDMI-In, Line-In) in the on-screen menu and start recording with the REC key (#36). The recording can be paused and resumed with the PAUSE key (#53) and stopped with the STOP key (#51).

Use the Audio VOLUME keys (#46) to adjust the volume or the MUTE key (#34) to mute audio.

Hints:

A respective symbol in the left lower corner indicates active recording function.

The Visualizer activates codec H.264 automatically when recording will be started (Advanced Settings / Streaming/Record Settings).

The video files will be saved into internal memory or onto an external USB storage device when connected.

Every file will be named with date and time stamp (WV_JJJJMMDD_hhmmss).

Example: WV_20150919_024735.avi

An on-screen message will tell you the name of the recorded file after recording is stopped.

Hint: By pressing the ? key (#31) the current state of recording will be displayed on-screen, like available recording time and audio settings.

Built-in Memory (external storage device not connected)

The Visualizer uses the internal memory with 8GB storage for snapshots and video recordings.

Videos (and Pictures) can be viewed on the Visualizer in the MEM mode.

External storage device connected

The Visualizer uses the external storage device for snapshots and video recordings. The available space depends on the device used.

Videos (and Pictures) can be viewed on the Visualizer in the USB mode, or on a computer when respective video viewing software is installed.

The default folder (document directory) can be changed in the on-screen menu (Advanced Settings / USB Stick Settings).

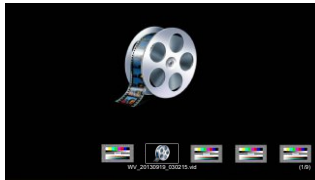
Please note, a video file is recorded each time you press the REC key. If file size exceeds 4GB, a new file will be created automatically.

MEM Mode

To start the MEM mode, press the MEM key (#39). A split image with the stored pictures will be displayed. Additionally a status line with picture information is shown on the bottom of the screen.

Pressing the LIVE key (#40) returns to the camera live image temporarily. The presentation will stay at the last picture shown. To continue, use the MEM key.

To select one of the currently displayed pictures move the picture bar with the Backward/Forward keys (#32) and confirm it with the OK key (#33). Use Backward/Forward keys to show the previous/next picture. Use the OK key to return to the split view.



split image



split image



full image

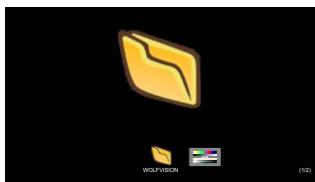
Use the MENU key for deleting pictures and/or videos.

Stored pictures and video clips can be copied to USB stick in the on-screen menu of MEM mode.

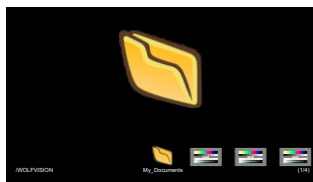
USB Mode

To start the USB mode, press the USB key (#47). A split image with the available folders and stored pictures will be displayed. Additionally a status line with picture information is shown on the bottom of the screen. Pressing the LIVE key (#40) returns to the camera live image temporarily. The presentation will stay at the last picture shown. To continue, use the USB key.

To select one of the currently displayed pictures move the picture bar with the Backward/Forward keys (#32) and confirm it with the OK key (#33). Use Backward/Forward keys to show the previous/next picture. Use the OK key to return to the split view.



initial screen



selected folder "My_Documents"



selected image "pattern.jpg"

Use the MENU key deleting single pictures or videos.

For further organization of the USB storage device use your computer; like creating or deleting folders, moving pictures from one folder to another, deleting pictures and/or videos or formatting of the USB storage device.

Please note formatting the USB storage device will delete all data.

Supported file systems are FAT16 and FAT32.

Supported picture file format is JPG format.

*Supported video file format is AVI-container with codec H.264 (video file extension is *.avi).*

Built-in Digital Scaler (for HDMI-In, USB-Stick and vSolution Connect)

The Visualizer has a built-in digital image scaler which can process the signals from the external inputs and output it in the same mode as the Visualizer image (For example: If the Visualizer is set to output an 1080p (FullHD) image to the projector and the computer outputs an XGA signal, the scaler of the Visualizer converts the XGA image of the computer to 1080p. As a result the projector does not readjust the input mode when switching between the Visualizer and computer image).

In addition images on a connected USB-stick are automatically scaled to the current output mode of the Visualizer.

The output resolution of the Visualizer can be changed in the on-screen menu (see page 19).

Integrated Seamless Switch

The Visualizer has an integrated Seamless Switch.

This allows for a seamless transition (fade-over/dissolve effect) when switching between the Visualizer image, the image from the external input, the memory (internal and USB-stick), or the stream (vSolution Connect by WolfVision).

The behavior of the Visualizer can be changed in the on-screen menu (see page 19).

Picture in Picture (PiP) / Live to Freeze Comparison



The Picture in Picture Mode offers the possibility to show two different pictures at the same time on one screen. Just press the PiP key (#37) to activate the Picture in Picture mode. The current picture (e.g. external signal, image memory) will be shown in the lower left corner and the live image will be shown in the upper right corner. The size of the live image is much bigger.

The content of the live image can be changed e.g. by recalling a stored image memory.

Following comparisons are possible: HDMI-In, image memory, live image. The content from the small image is frozen, except when the signal from the HDMI-In is shown, then it shows live content of the external source.

The behavior of the PiP mode can be changed in the on-screen menu, Output Settings (see page 19).



Send Stream to Network

The Visualizer has a built-in streaming server which is capable of broadcasting audio and video content over the network.

Prepare Ethernet connection (wired or wireless) and select "Stream/Recording Settings" in the on-screen menu Advanced Settings. There you can assign the IP address of the destination (for multicast select: 225.0.0.0 to 238.255.255.255; with all other addresses the stream can be received at one destination only; 224.x.x.x and 239.x.x.x are reserved.), port, mode, resolution, frame rate and format of the stream (up to RTP H264).

With mode setting "AUTO" the Visualizer streams on demand only. The software vSolution Link by WolfVision and most internet browsers can start the stream automatically. In case your browser or third party application (media player) cannot start the streaming function, use the STREAMING key (#52) or change the mode to "Continuous" for permanent streaming (please note the resulting network traffic).

Select desired resolution, frame rate and format (keep in mind, these settings are influencing the network traffic).

To open the stream with a third party application, just input the network URL into the address field:

Internet Browser, example: **http://192.168.0.2**

Media Player, example: **http://192.168.0.2/stream.sdp**

The necessary IP address is the IP-address of the Visualizer (on-screen menu *Advanced Settings / Ethernet Settings*).

The Visualizer broadcasts the currently shown content of video (live camera, external HDMI-IN or memory) and audio (HDMI-In or Line-In) to the network.

Technical Background:

UDP Multicast works like a broadcast - many clients are watching the same video stream. In Multicast mode the bandwidth is always the same, no matter how many computers are connected. However as many routers do not support Multicast, UDP Unicast can be used instead for point-to-point connection (one client is possible). Audio will be supported with RTP formats.

In TCP Singlecast mode each computer opens a separate connection to the Visualizer, which requires a lot of bandwidth if many clients are connected. Audio is not supported in TCP-mode.

Hints:

At the left lower corner, respective icons will inform you about active streaming, recording and mic status.

For full functionality JAVA version 7 or higher is necessary when using a browser to listen.

For full functionality VLC (PC) or QuickTime (Mac) plug-in is necessary when using a browser to listen.

Ensure that the used IP-addresses and ports are not blocked by any firewall.

(ports: tcp 80, tcp 50915, tcp 50921, udp 123, udp 8800, 8802 (default), udp 50000, udp 50913, udp 50914)

Please note, some network routers are not able to forward multicast streams.

Network access is limited to 128 simultaneous open connections.

More detailed information will be found in the online guide "How To Connect the Visualizer to a Network".

Receive Stream - vSolution Connect by WolfVision (tablet)

The Visualizer supports receiving network streams from a tablet over the network.

Once the vSolution Connect app is downloaded to the tablet, connect the tablet to the same network as the Visualizer and start the app. Then simply tap the "Connect" icon, place it in the pick-up area of the Visualizer camera and follow the instructions on the tablet. The synchronization will be done by a special red/blue flashing sequence.

When the connection is established, documents from the tablet can be sent to the Visualizer or the tablet can receive the displayed image. The tablet can also be used as a whiteboard and for storing image and video material.

To swap from tablet source to e.g. Visualizer camera just press the LIVE key (#40) on the remote control. To switch back, press the STRM key (#48).

Please note:

vSolution Connect blocks video recording on the Visualizer, use recording function on the tablet.

vSolution Connect blocks every other stream via Ethernet and USB.

The following chapter is for experienced users only:

ON-SCREEN MENU / ON-SCREEN HELP

For regular use of the WolfVision Visualizer, it is not necessary to go into the Visualizer's menu and change settings. Inexperienced users should not make any adjustments here.

To enter the on-screen menu press the MENU key (#54 or #60; *when using the key on the camera head, keep it pressed until the menu appears*). Settings of the Visualizer's basic functions and the built-in camera can be made here using the 4 navigation keys on the remote control (=the keys with arrows #32 and #53) or navigation keys on the camera head (#56, #57 and #58).

If more information on a function in the on-screen menu is required, set the cursor in the respective line and press the ? HELP key (#31 or #59). A detailed description of this function appears on the screen.

By pressing the MENU key for 4 seconds the Extra Menu appears. In the Extra Menu, e.g. the zoom wheel can be calibrated. Recalling the Factory Reset will reset all settings including resolution and IP address to the default.

The functions of the on-screen menu are not described in detail in this user manual as the help menu is an integrated part of the Visualizer's software (firmware). The information you see on your screen always belongs to the current Visualizer firmware.

Exposure Settings

The exposure settings will affect the brightness of the image, e.g. Gain, Shutter, Aperture, Image Brightness and Back Light Compensation.

Color Settings

The Color Settings will affect the color reproduction of the camera, e.g. White Balance settings, Color Mode and Positive/Negative.

Hint:

If the picture on your screen appears to be too light or too dark or the color saturation is not correct, the Color Mode can be changed.

For better readability of handwritten texts, the image can be changed to BLUE.

Output Settings

To change the Detail Settings (sharpness) and to change the Output Resolution manually.

Hint:

Use the "Resolution Test" function to change to the selected resolution temporarily for ten seconds. This way the compatibility of the connected display device can be easily checked.

Preset Control

In the "Preset Control" the Preset keys can be assigned specific functions such as "NEGATIVE/BLUE", "BLACK/WHITE", "LIGHT", etc.. Additionally the default presets can be recalled.

Advanced Settings

In this sub-menu the behavior when powering on, digital zoom, on-screen menu can be changed.

Settings for Ethernet (LAN), Date/Time and USB stick will also be found in this menu.

Hint:

Change Power-Down Mode to "ECO" or "DEEP" to save power consumption in standby mode.

Open "Device Info" to view details of the unit like currently installed firmware version.

Recall Default Menu Settings

All picture affecting settings can be set back to the factory defaults. All settings which affect the communication with other equipment, e.g. network settings and resolution will not be changed.

Hint:

To reset single items, just select the desired line and keep ? HELP key (#31 or #59) pressed for 2 seconds.

Start Quick Setup Guide

The Quick Setup Guide will be started automatically when the Visualizer is switched on the first time and can be started with this item manually. This menu will guide you through basic settings like language, network settings, time/date settings and audio settings.

HDMI/RGB Output (#18 and #19)

Choosing the Correct Output Mode

The HDMI and RGB outputs (#18 and #19) can output signals in following formats:

- SVGA (4:3 - 800x600 pixels) at 60Hz
- XGA (4:3 - 1024x768 pixels) at 60Hz
- UXGA (4:3 - 1600x1200 pixels) at 60Hz
- SXGA (5:4 - 1280x1024 pixels) at 60Hz
- 720p (16:9 Widescreen HD - 1280x720 pixels) at 60Hz
- 1080p (16:9 Widescreen HD - 1920x1080 pixels) at 30 and 60Hz
- WXGA* (16:10 Widescreen - 1280x800 pixels) at 60Hz
- WUXGA (16:10 Widescreen - 1920x1200 pixels) at 60Hz

The "Auto resolution" function is activated by default. In this mode the Visualizer continuously checks which devices are connected to the HDMI output (#18) and RGB (#19) and automatically sets the optimal output mode for the connected device. Please note that the Visualizer cannot check the possible resolution if the connected units or the cables** are not "Plug and Play" compatible. If the Visualizer cannot detect the resolution of the connected device, the output is set to the default of XGA/60Hz. (**Cables with plug and play compatibility must support DDC).

If you cannot use the "Auto resolution" function, you can select the output mode manually in the on-screen menu of the Visualizer (see page 19).

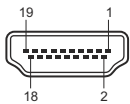
In order to achieve the best picture quality you must set the outputs of the Visualizer to match the native resolution of your display unit (e.g. LCD or DLP projector or monitor).

Important: What matters is the native resolution of the projector or monitor, not the maximum resolution that it can display (in compressed mode). The native resolution is the actual number of pixels of the built-in LCD display or DLP chip of a projector or monitor. Most LCD or DLP projectors can also display higher resolutions than their native resolution, but only in compressed mode and with inferior picture quality.

Do NOT set the output of the Visualizer to a higher standard than the native resolution of your display unit. Follow the instructions in the user manual of the connected units.

Please note, when the aspect ratio does not match the native resolution of the Visualizer or display device, black bars on top/bottom or left/right can be shown. Some display devices offer the possibility to zoom-in the image to minimize the black bars. Follow the instructions in the user manual of the connected units.

HDMI Port (#18)

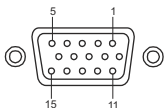


19-pin HDMI connector female (front side, unit)

1 - T.M.D.S. Data2+	8 - T.M.D.S. Data0 Shield	15 - SCL (I ² C Serial Data Line for DDC)
2 - T.M.D.S. Data2 Shield	9 - T.M.D.S. Data0-	16 - SDA (I ² C Data Line for DDC)
3 - T.M.D.S. Data2-	10 - T.M.D.S. Clock+	17 - DDC Ground
4 - T.M.D.S. Data1+	11 - T.M.D.S. Clock Shield	18 - DC+5V (max. 50mA)
5 - T.M.D.S. Data1 Shield	12 - T.M.D.S. Clock	19 - Hot Plug detect
6 - T.M.D.S. Data1-	13 - Reserved	
7 - T.M.D.S. Data0+	14 - ARC (Audio Return)	

CEC (Consumer Electronic Control), ARC (Audio Return Channel) and HEC (HDMI Ethernet Channel) are not supported. DC+5V are available when Visualizer is fully powered up.

RGB Port (#19)

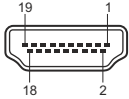


15-pin D-Sub HD connector female (front side, unit)

1 - Analog Red video	6 - Red return	11 - N/C Not connected
2 - Analog Green video	7 - Green return	12 - SDA I ² C data
3 - Analog Blue video	8 - Blue return	13 - HSync Horizontal sync
4 - N/C Not connected	9 - DC+5V max. 50mA)	14 - VSync Vertical sync
5 - GND Ground	10 - GND (VSync, DDC)	15 - SCL I ² C clock

DC+5V are available when Visualizer is fully powered up.

HDMI IN - external input (#20 and #21)



19-pin HDMI
connector female
(front side, unit)

1 - T.M.D.S. Data2+	8 - T.M.D.S. Data0 Shield	15 - SCL (I ² C Serial Data Line for DDC)
2 - T.M.D.S. Data2 Shield	9 - T.M.D.S. Data0-	16 - SDA (I ² C Data Line for DDC)
3 - T.M.D.S. Data2-	10 - T.M.D.S. Clock+	17 - DDC Ground
4 - T.M.D.S. Data1+	11 - T.M.D.S. Clock Shield	18 - DC+5V (max. 50mA)
5 - T.M.D.S. Data1 Shield	12 - T.M.D.S. Clock	19 - Hot Plug detect
6 - T.M.D.S. Data1-	13 - Reserved	
7 - T.M.D.S. Data0+	14 - ARC (Audio Return)	

CEC (Consumer Electronic Control), ARC (Audio Return Channel) and HEC (HDMI Ethernet Channel) are not supported.

A computer can be connected to the inputs **HDMI IN 1/2 (#20 and #21)** of the Visualizer.

By pressing the **EXT 1/2 key (#46)** the Visualizer displays the signal from the external input to the audience. To switch back to the live image of the Visualizer use the **LIVE key (#40)** on the remote control.

(Use **EXTERN key (#60)** on the camera head to toggle between external sources and camera live image)

The Visualizer has a built-in D/A-converter in order to convert the digital signal from the computer and output it on the RGB and HDMI outputs (inclusive stereo audio) in the selected signal format.

Supported resolutions from VGA (640x480@60Hz) to WUXGA (1920x1200@60Hz) with several resolutions and refresh rates in this range. Preferred 1080p (1920x1080@60Hz).

Depending on input resolution, black bars are possible.

Following data are provided:

Plug & Play Monitor VESA DDC

Monitor name: "WolfVision"

Video Input Definition: digital signal

Vertical range limits: 50Hz - 60Hz

Horizontal range limits: 20kHz - 75kHz

Maximum pixel clock: 170MHz

Gamma: 2.2

Preferred resolution: 1080p (1920x1080) @60Hz

HDMI Content Protection - HDCP

The Visualizer does not support HDCP (High-bandwidth Digital Content Protection).

Encrypted signals on the HDMI IN will be blocked and the Visualizer will output just a black image.

The proprietary HDCP technology is used on protected content like Hi-Definition Hollywood movies and Pay-per-view transmissions and will not affect non-protected content.

It is not allowed to bypass the security system by law.

Copyright owner is Digital Millennium Copyright Act (DMCA).

Built-in Audio Microphone (#15)

The built-in microphone can be used like an external audio source to add voice content to the audience. Volume of audio output can be decreased in steps of 10% (affects HDMI audio too).

Audio Line In and Line Out (#22 and #23)



The Visualizer can handle different audio sources and different audio outputs. Enter the on-screen menu Advanced Settings / Audio Settings and select the desired settings.

Line In: max. $1V_{RMS}$ @ 10kOhm (stereo, unbalanced)

Line Out: max. $1V_{RMS}$ @ 10kOhm (stereo, unbalanced; max. transmission rate 1:1)

Volume of audio output can be decreased in steps of 10% (affects HDMI audio too).

Hint:

Some microphone systems are requiring a pre-amplifier.

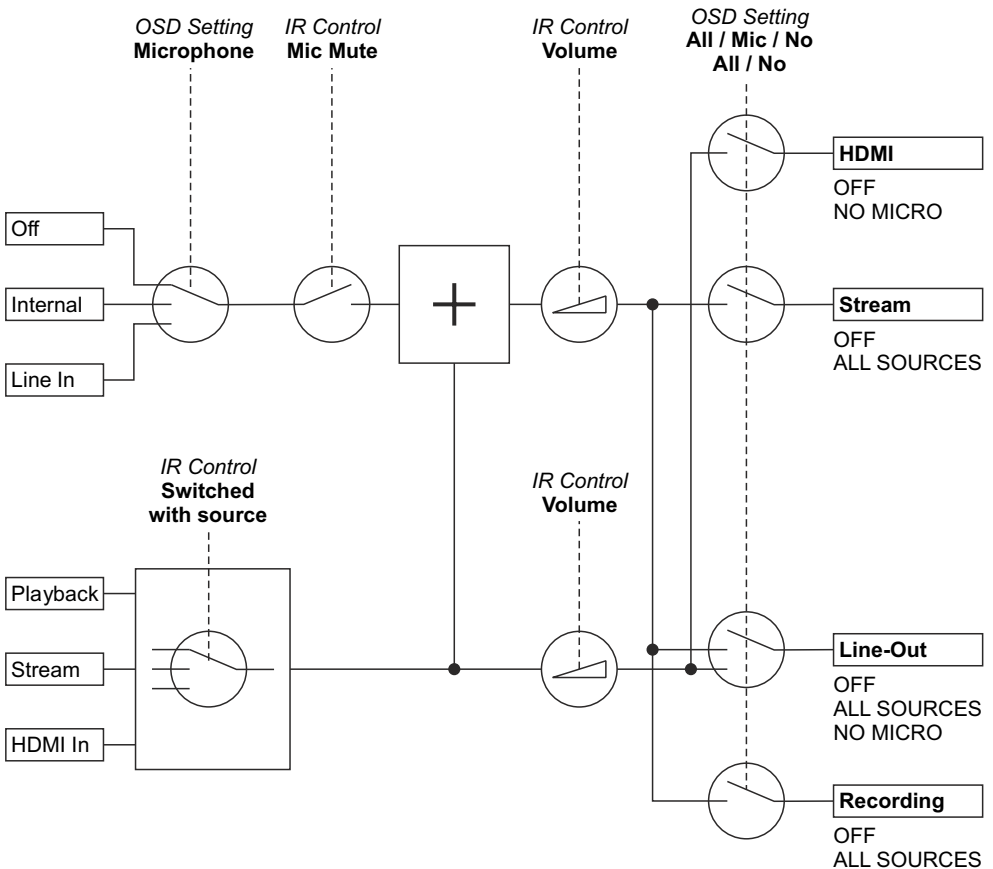
In case you encounter hum noise caused due to ground loops, check installation. When it cannot be solved, add ground-loop isolators to both audio lines (LineIn and LineOut).

Transmission range: 20Hz~20kHz at $\pm 1.3dB$ / 300Hz~10kHz at $\pm 1dB$

Transmission ratio: 1:1

Audio Concept

The Audio Concept indicates the behaviour of the audio processing depending on different menu settings.



USB Port to Storage Device (host) (#29)

The USB client port can be used for expanding memory to save pictures and video files (*see pages 15 and 16*). Additionally it can be used to store menu settings and updating the firmware.

Note max. power consumption of 500mA.

Saving Visualizer Settings onto a USB Stick

The Visualizer offers the opportunity to save menu settings inclusive presets onto an USB stick as XML file. Change the settings to the desired values and store it on the USB stick (in the on-screen menu, Advanced Settings / USB Stick Settings).

When connecting an USB stick with the prepared XML file, an on-screen message will pop-up.

The behaviour of the Visualizer can be changed in the on-screen menu (see page 19).

As soon as the USB stick is removed, the previous settings are restored.

USB Port to the Computer (client) (#26)

The USB device port can be used for direct connections between the Visualizer and a computer.

PTP functionality (Picture Transfer Protocol, version 1.0)

The PTP functionality offers the ability to access the built-in memory by using a file browser. No additional device driver will be needed (depending on used operating system on the PC).

UVC Driver (Universal Video Class, version 1.0)

The Visualizer is UVC compatible and can be used as webcam. No additional device driver will be needed (depending on used operating system on the PC).

Video Capture Driver (stand alone and part of vSolution Link)

The video capture driver is WIA (**Windows Image Acquisition**) compatible and can be used together with graphics software, like Adobe Photoshop®, or in combination with Interactive Whiteboards.

Please download the latest version of Video Capture Driver from: www.wolfvision.com (Support).

vSolution Link by WolfVision

Use the software vSolution Link to control the Visualizer and to use it as a scanner for 3-dimensional objects. Images in JPG, TIFF or BMP format can be taken in a fraction of a second. Additionally video files can be stored and the Visualizer can be administrated.

Stored pictures are including EXIF data (available with format JPG or TIFF only). Included data are:

Manufacturer = WolfVision

Visualizer model (inclusive serial number) = e.g. VZ-9.4L (01041472)

Firmware version = e.g. V1.37b

Date and time of create = e.g. 2015-09-17 11:06:29 (yyyy-mm-dd hh:mm:ss)

Please download the latest version of vSolution Link from: www.wolfvision.com (Support).

Ethernet / LAN Port (#28)

10BASE-T/100Base-TX

The LAN port makes the Visualizer a part of the internal computer network and it can be used for communication over the Internet, if it is assigned an official (WAN) IP address.

Administrators of a larger number of Visualizers can use the LAN port to support all of their units from their local desktop PC.

The list of applications for the Visualizers LAN port is constantly increasing. It can be used for controlling, capturing still images, viewing live video streams, firmware updates, adjustments, menu settings and maintenance purposes (some functions are supported by vSolution Link only).

The following protocols are supported: TCP/IP, IGMP, UDP and ARP.

Supported (tested) internet browsers are: Windows Internet Explorer, Firefox, Chrome and Safari.

By default, DHCP is activated to receive all network settings automatically provided from the server.

Possible resolution up to FullHD (1080p) with WolfVision's vSolution Link and HD (720p) when using a browser.

Power over Ethernet plus (PoE+)

The LAN port (#28) of the Visualizer includes Power over Ethernet plus (PoE+) functionality. The necessary power will be provided through the Ethernet cable, this way a separate power line and adapter can be saved. The Visualizer is compatible to the IEEE 802.3at -2009 industry standard.

The PoE+ adapter (injector or switch) used must meet the IEEE 802.3at -2009 industry standard. Adapters not meeting this standard are not compatible with this Visualizer and may have damaging effects!
Power Classification: "High power Class 4 (12.95 to 25.50W)".

More information on PoE+-adapters at www.wolfvision.com (*Products / Accessories*)

Room Management Systems

The LAN port (#28) and the USB device port (#26) can be used to control the Visualizer through an external device, such as a room control system that is used to integrate conference rooms.

The complete serial protocol can be found on our internet website under: www.wolfvision.com (*Support*)

Connect the Visualizer to a Network

Detailed information in the separate description "How To Connect the Visualizer to a Network".

Wired Connection

Connect the Visualizer to the existing network with available DHCP-server and the Visualizer will set the IP addresses according the DHCP information.

If a DHCP-server is unavailable, please set the addresses for IP, Subnet Mask, Gateway and Nameserver manually to valid settings.

Wireless Connection - Visualizer acts as Access Point

The Visualizer can be set up to act as Access Point and notebooks, smartphones and tablets can be connected directly.

Disconnect mains and connect the optional WLAN USB dongle to port (#24). Power the unit and select "Access Point" in the on-screen menu Advanced Settings / Ethernet Settings / WLAN Settings. There you can assign the channel used, SSID, IP address and Encryption. When all settings are completed, select "Activate" to start the access point function and connect the desired third party devices.

Hint: Always disconnect the unit from mains before connecting / disconnecting the WLAN USB-Dongle.

Wireless Connection - Visualizer acts as Client (Infrastructure)

The Visualizer can be setup to connect to an existing WiFi infrastructure.

Disconnect mains and connect the optional WLAN USB dongle to port (#24). Power the unit and select "Infrastructure" in the on-screen menu Advanced Settings / Ethernet Settings / WLAN Settings. There you can assign the SSID, IP address (DHCP or manual) and Encryption. When all settings are completed, select "Connect" to connect to the existing infrastructure.

Hint: Always disconnect the unit from mains before connecting / disconnecting the WLAN USB-Dongle.

Security

The Ethernet functionality of the Visualizer can be limited and the access can be protected with a password. Select "Security Settings" in the on-screen menu Advanced Settings / Ethernet Settings.

Input the valid admin password to change the settings to restrict the functionality of Ethernet. Also the admin password can be changed afterwards.

Note the changed password! Only WolfVision can reset a forgotten admin password!

Default passwords are "Password" for admin and guest.

FTP client

The Visualizer can be setup as FTP client for sharing videos.

Prepare Ethernet connection (wired or wireless) and select "FTP Settings" in the on-screen menu Advanced Settings / Ethernet Settings. There you can assign the server IP address, user name and password. When all settings are completed, select "Interval" to send current shown image content to the FTP-server in the defined time interval.

The setting "Transfer" allows sending of video files to the FTP server and automatic deleting of local files after successful transfer.

MAINTENANCE

Cleaning

IMPORTANT

- Cabinet:** Clean the cabinet by gently wiping it with a soft, lint-free cloth.
- Lenses:** Clean the lenses by gently wiping them with a soft, lint-free cloth (do not use a paper tissue!). Clean by breathing on the lenses to create moisture then wipe with lint-free cloth (If not clean, use special optical cleaner only!).

WARNING:

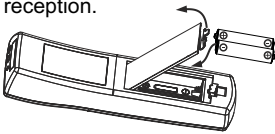
**Never use strong cleaning agents such as acetone or benzene!
These substances can damage the surface and anti-reflex coating!**

Firmware Upgrades

The firmware (software) of your Visualizer (including the on-screen HELP) can easily be upgraded to the latest version. The firmware update can be done via USB, Ethernet (LAN) or USB stick. Firmware update files can be downloaded free of charge at www.wolfvision.com (Support). Updates via USB or Ethernet/LAN can be made with the software vSolution Link by WolfVision. Updates via USB stick need the firmware file to be placed in the folder root:WOLFVISION (default folder can be changed in the on-screen menu Advanced Settings / USB Settings). Alternatively, the firmware update can be started in the on-screen menu (Advanced Settings / Device Info), provided the Visualizer is connected to the Internet and a nameserver IP address is assigned (Advanced Settings / Ethernet Settings). By selecting the line "Check For FW Update", the Visualizer checks the WolfVision server for newer firmware files. Follow the on-screen instructions to start the update process.

Infrared Remote Control

Please note that an infrared remote control can only be used up to a certain distance from the unit. Objects situated between the Visualizer and the infrared remote control, and weak batteries, interfere with reception.



If the Visualizer can only be controlled from a close distance, you may need to change the batteries.

If the Visualizer cannot be controlled at all with the infrared remote control, you may need to check the code or to change the batteries.

Open the cover on the back of the remote control and replace both 1.5V AAA (Code LR03) batteries with new ones of the same type.

Check the polarity of the batteries!

CAUTION

Risk of explosion if batteries are replaced by an incorrect type.

Dispose of used batteries according to the instructions. Recycle the batteries.

ATTENTION

Il y a danger d'explosion s'il y a remplacement incorrect de la batterie. Remplacer uniquement avec une batterie du même type ou d'un type équivalent recommandé par le constructeur.

Mettre au rebut les batteries usagées conformément aux instructions du fabricant. Recycler les batteries.

Different IR Codes

If you want to work with more than one Visualizer in the same room, the units should be set to different infrared codes, in order to control them all individually.

The IR code of the Visualizer has to match the code of the remote control.

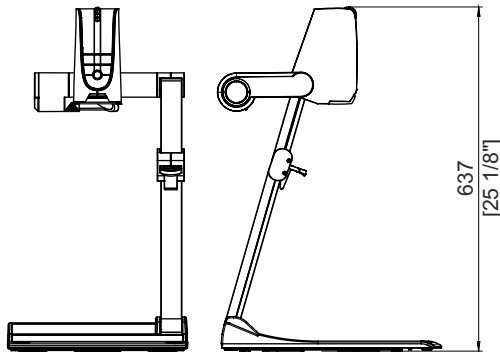
To change the IR code, enter the on-screen menu, go to "Advanced Settings / Miscellaneous Settings" and set the "IR Code" to A, B, C or D (code A is default). To change the IR code on the remote control, simultaneously press **PRESET 1**, **PRESET 2 (#38)** and **ZOOM TELE (#45)**. Each time this key combination is used, the code switches from A to B, C, D ... A ... in the given order.

For resetting the remote control to code A, simultaneously press **PRESET 1**, **PRESET 2** and **ZOOM WIDE**.

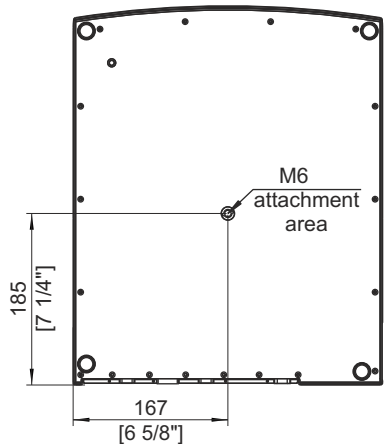
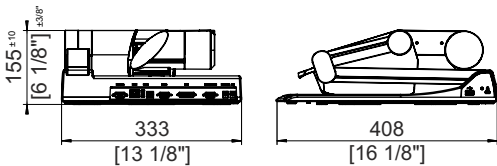
The LED shows the selected code (it flashes one time for code A, two times for code B, three times for code C and four times for code D).

Dimensions

working position:



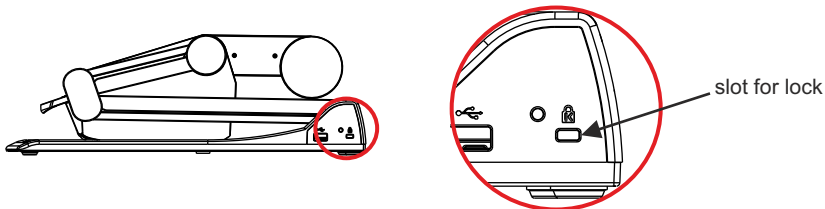
closed:



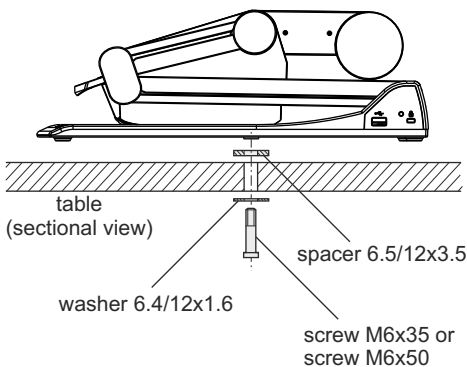
Technical Specifications are Subject to Change!

Anti-theft Device 1: T-bar lock

The Visualizer can be fixed with a security cable T-bar lock (Kensington® Lock), so that it **cannot be stolen**. Follow the instructions from the cable lock manual.



Anti-theft Device 2: table lock bolt



The Visualizer can also be fixed onto a table with the supplied table lock bolt in order to minimize the risk of theft.

Please note that the usable depth of thread is 8mm, do not screw in more than this!

Supplied accessories (part number):

- 1x Spacer 6.5/12x3.5 (109946)
- 1x Washer 6.4/12x1.6 (101691)
- 1x Screw M6x35 (101689)
- 1x Screw M6x50 (101690)
- 1x Assembly instructions VZ-9.4 (102340)

Technical Data

Camera / Technology (Signal format)	CCD 1/3" Progressive Scan
Pictures per second (as picked up by the camera)	30 frames per second
Native (effective Pixels of camera sensor)	1280 x 960 (=1,228,800), ratio 4:3
Native pixels of image processing	1280 x 960 (=1,228,800), ratio 4:3
Pixels processed per second (=effective pixels x frames per sec.)	36,864,000, ratio 4:3
Color reproduction / precision	very good colors / sRGB color precision
Output signals 4:3 and 5:4	SVGA (800x600), XGA (1024x768), SXGA (1280x1024), UXGA (1600x1200)
Output signals 16:9 and 16:10	720p HD (1280x720), WXGA (1280x800), 1080p HD (1920x1080), WUXGA (1920x1200)
WolfVision image processing engine "YSOP1"	yes
Resolution (measured)	860 lines
Vertical image-frequency (depending on selected output mode)	Progressive Scan: 30Hz and 60Hz (switchable)
Brightness Control / Exposure	automatic and manual
White balance adjustment	automatic and manual
Autofocus (Speed) / Manual Focus	yes (continuously working high speed) / yes
Synchronized laser markers	yes (in size of pick-up area of camera) / ratio 16:9
Image flip	yes, useful for recordings outside of working surface
On-screen menu and on-screen help	yes
Upgradeable firmware	yes, via USB, Ethernet/LAN and USB-stick
Lens / Zoom	64x zoom (16x optical + 4x digital), zoom wheel with multiple speed
Lens type	wide angle, f= 5.4 - 65mm
Max. object height on working surface level	230mm (9.6") in tele position, 370mm (15") in wide position
Max. pick-up area on working surface level	400mm x 300mm (15.75" x 11.81") (4:3 output mode)
Min. pick-up area on working surface level	25mm x 19mm (0.98" x 0.75") (4:3 output mode)
Min. pick-up area on working surface level with digital zoom	6mm x 4mm (0.23" x 0.16") (4:3 output mode)
Depth of focus on small object (42 x 33 mm)	7mm (0.3")
Depth of focus on large object (360 x 270 mm)	200mm (7.9")
Recordings outside of working surface	yes
Blinding of audience or speaker	none
Light source	Maintenance free high-brightness LED light system (lamp lifetime 30,000h)
Software (USB and LAN) for controlling, image and video capturing and firmware updates	vSolution Link by WolfVision, included (for 32- and 64-bit, Windows and Macintosh)
Reflection free area on working surface	whole pick-up area
User programmable presets	3
Special working surface for transparencies	yes
Slide pick-up / Bottom light	built-in slide light field / optional external light boxes LB-9 and LB-38
Image memory	internal memory 8GB micro SD + unlimited memory via USB stick
Seamless cross fading	yes
Built-in digital scaler	yes
Alternative Image display	negative image / negative-blue image / black and white image
HDMI output / DVI and DisplayPort output	yes, inclusive audio support / yes, with optional adapter
RGB output	yes
External computer input / Input switch	2x HDMI inclusive audio support (DVI or DisplayPort with optional adapter)
Audio	HDMI, built-in microphone, Line In and Line Out (max. 1V _{RMS} @10kOhm)
USB standard / port	1x USB 2.0 device port (incl. PTP and UVC) and 3x USB 2.0 host ports
Ethernet (LAN) LAN	yes, IP-addressable, 10/100 Mbps
WLAN (WiFi)	optional n-draft USB dongle (Dualband 2.4GHz and 5GHz)
Web Interface	yes (IP addressed)
Streaming	MJPEG, RTP MJPG, H2.64 (unicast and multicast)
Advanced controlling with professional protocol	USB and LAN (WLAN)
Preview monitor (LCD)	yes, 93mm x 53mm (3.7" x 2.1")
Intelligent folding system	yes
Dimensions in operation (L x W x H)	408mm x 333mm x 637mm (16.1" x 13.1" x 25.1")
Dimensions folded (L x W x H)	408mm x 333mm x 155mm (16.1" x 13.1" x 6.1")
Weight	5.9kg (13.05lbs)
Infrared remote control	yes (with laserpointer)
Voltage input (external power pack)	multi range 100 - 240 VAC (36W LPS), weight 0.3kg (0.6lbs)
Power consumption	max. 25.5W (incl. USB extension)
Operating Temperature / Relative Humidity	0°C - 40°C (32°F - 104°F) / 40 - 60%rel
Anti-theft device	yes, T-Lock (Kensington Lock®) and table lock bolt
Warranty	5 years
Made in	Austria (European Union)

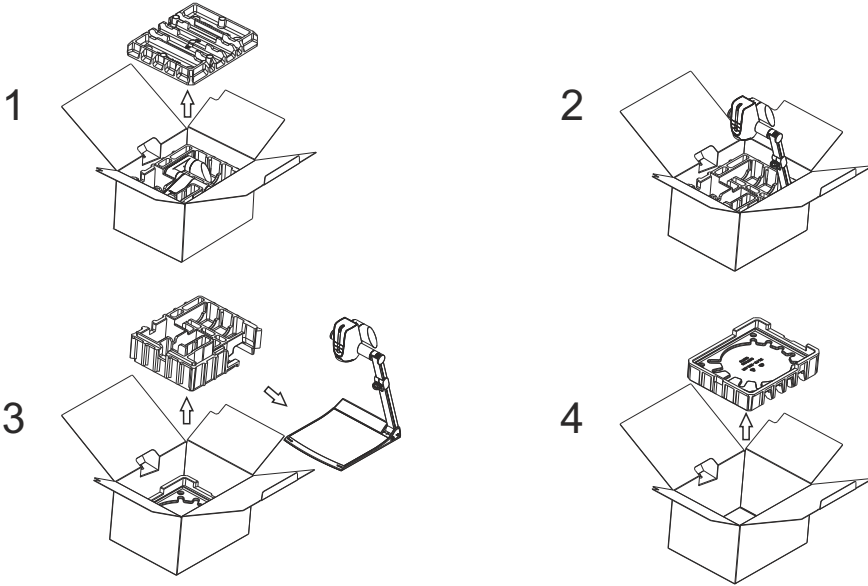
Please note: Due to technical improvements all specifications are subject to change!

Packaging / Transportation

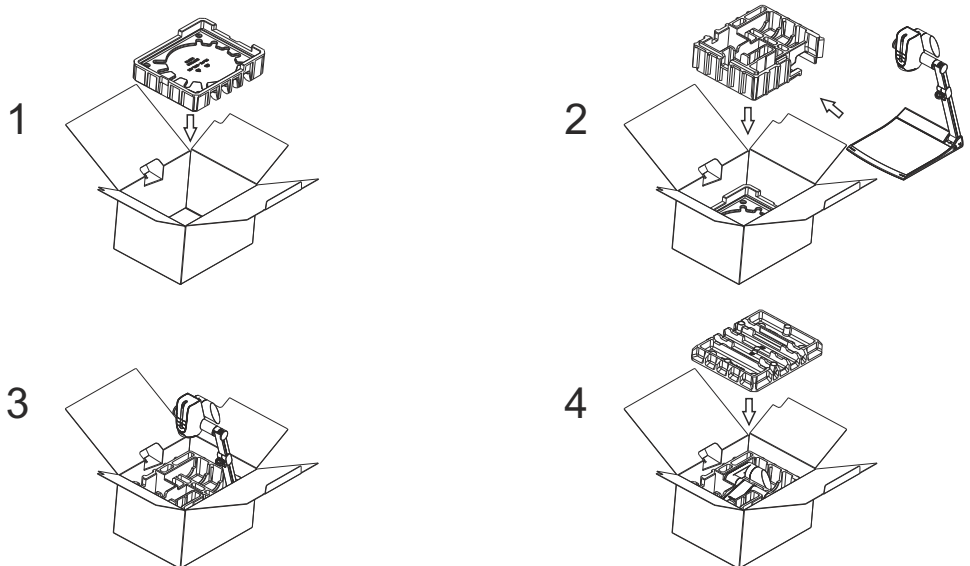
IMPORTANT

Please make sure that you pack up the Visualizer in the supplied box as explained in the graphic below. This is very important to avoid damage to sensitive parts of the unit!

Unpack



Repack



CODES - Short Keys

Base and Camera head

One Push White Balance:

Press the **LIGHT** key (#16) for 2 seconds to perform one push white balance.

Activating the on-screen menu:

Press the **MENU** key (#60) (**EXTERN** key) on the camera head for 2 seconds to activate the on-screen menu. Use the **FOCUS** keys (#58) to navigate and the **FREEZE** key (#56), **PRESET** key (#57) to select. For the help function, press the **? HELP** key (#59).

For resetting only the selected item press the **? HELP** key (#59) for 2 seconds.

Activating the on-screen Extra menu:

Press the **MENU** key (#60) and keep it pressed until the extra menu appears.

Resetting the output mode to the default of "XGA at 60Hz":

Simultaneously press both **FOCUS** keys (#58) on the camera head and keep it pressed until the resolution will be changed.

Storing Preset 1:

Press the **PRESET** key (#57) on the camera head for 2 seconds.

Recalling Preset 1:

Press the **PRESET** key (#57) on the camera head quickly.

IR-Remote Control

Storing presets:

Press the desired **PRESET** key (#38) for 2 seconds.

Recalling presets:

Press the desired **PRESET** key (#38) quickly.

Activating the on-screen menu:

Press the **MENU** key (#54) to activate the on-screen menu. Use the **Navigation** keys (#32 and #53) to navigate and **OK** key (#33) to select. For the help function, press the **? HELP** key (#31).

For resetting only the selected item press the **? HELP** key (#31) on the remote control for 2 seconds.

Activating the on-screen Extra menu:

Press the **MENU** key (#54) and keep it pressed until the extra menu appears.

Resetting the output mode to the default of "XGA at 60Hz":

Simultaneously press both **FOCUS** keys (#42) on the remote control and keep it pressed until the resolution will be changed.

Change IR code:

Change the IR code in the on-screen menu "Advanced Settings / Miscellaneous Settings" and set the "IR Code" to A, B, C or D (code A is default). To change the IR code on the remote control, simultaneously press **PRESET 1**, **PRESET 2** keys (#38) and the **ZOOM TELE** key (#45). Each time this key combination is used, the code switches from A to B, C, D ... A ... in the order given.

For resetting the remote control to code A, simultaneously press **PRESET 1**, **PRESET 2** and **ZOOM WIDE**.

The LED on the remote control shows the selected code (it flashes one time for code A, two times for code B, three times for code C and four times for code D).

Vorsichtsmaßnahmen

DEUTSCH



WARNUNG!

Elektroschockrisiko
gefährliche Spannungen
im Geräteinneren



Angeführte Vorsichtsmaßnahmen unbedingt beachten:

Das Gerät nur mit der auf dem Typenschild angegebenen Spannung betreiben!

Das Gerät vor Hitze und Feuchtigkeit schützen!

Das Gerät vor Erschütterung schützen!

Bitte darauf achten, dass eine ausreichende Luftzirkulation zur Kühlung des Gerätes möglich ist (Lüftungsschlitze am Lampengehäuse)!

Bei jeder Art von Störungsanzeichen (abnormale Geräusche, Geruch, Rauchentwicklung, etc.) das Gerät abschalten. Setzen Sie sich mit Ihrem Visualizer-Händler in Verbindung!

Niemals ein beschädigtes Netzkabel / Netzteil verwenden. Andernfalls kann es zu Kurzschlüssen und zu elektrischen Schlägen kommen!

Am Gerät keinerlei Umbauten vornehmen und das Gerät niemals ohne Gehäusedeckel in Betrieb nehmen!

Keine entflammaren oder metallischen Gegenstände oder Flüssigkeiten in das Geräteinnere dringen lassen!

Das Gerät nicht im Bereich von starken Magnetfeldern und elektrischen Feldern in Betrieb nehmen!

Das Gerät nicht im Wirkungsbereich von Röntgenstrahlung betreiben. Dadurch können Teile der Kamera beschädigt werden.

Das Netzkabel und den Netzstecker niemals mit feuchten Händen berühren!

Wird das Gerät längere Zeit nicht benutzt, so ziehen Sie bitte den Netzstecker!

Das verwendete Netzteil benötigt eine europäische Zertifizierung nach EN 60950 oder von CSA/UL nach UL60950 oder UI1950. Das Netzteil muss LPS (Limited Power Source - mit begrenzter Leistung) einhalten!

Vorsichtsmaßnahmen für die LED-Beleuchtung nach EN62471:



LED-Beleuchtungssystem - Nicht direkt den Lichtstrahl blicken!

LED-Beleuchtungssystem nicht modifizieren!

Lichtstrahl nicht mit optischen Instrumenten betrachten!

Vorsichtsmaßnahmen für den Laserpointer:

Laserstrahlen - Nicht direkt den Laserstrahl blicken!

Laser nicht modifizieren! Laserstrahl nicht mit optischen Instrumenten betrachten!

Information für den Laserpointer

FDA Zugriffsnummer: 9912688-00

Entspricht den Vorschriften 21 CFR 1040.10 und 1040.11



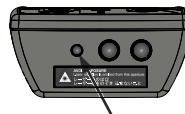
Technische Daten:

$\lambda = 635 - 680\text{nm}$

$P < 1\text{mW}$

$\Theta \leq 2\text{mrad}$

Dieser Aufkleber befindet sich auf der Unterseite der Fernbedienung.



Die kleinere Öffnung (links) an der Frontseite der Fernbedienung ist die Laserstrahl-Austrittsöffnung.

Vorsichtsmaßnahmen für die Laser-Zentrumsmarkierung:

Laserstrahlen - Nicht direkt den Laserstrahl blicken!

Laser nicht modifizieren! Laserstrahl nicht mit optischen Instrumenten betrachten!

Information für die Laser-Zentrumsamarkierung

FDA Zugriffsnummer: 9912688-00

Entspricht den Vorschriften: 21 CFR 1040.10 und 1040.11

Information der synchronisierten Laser Markierung



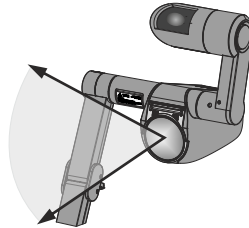
Technische Daten:

$\lambda = 635\text{nm}$

$P < 1\text{mW}$

$\text{cw/cp} = 2 - 28\text{ms}$

Dieser Aufkleber befindet sich am Kameraarm.



Das Kameraobjektiv ist zugleich auch die Laserstrahl-Austrittsöffnung der Zentrumsmarkierung.

Approval

Marks on the unit:



Tested to comply with FCC standards



Intertek



Warning! (original Text)

This is a class A device. Operation of these equipment in a residential area is likely to cause harmful interference in which case the user will be required to correct the interference at his own expense.

FCC information:

This device complies with part 15 of the FCC rules. Operation is subject to the following two conditions: (1) this device may not cause harmful interference, and (2) this device must accept any interference received, including interference that may cause undesired operation.

Note:

This equipment has been tested and found to comply with the limits for a class A digital device, pursuant to part 15 of FCC rules. These limits are designed to provide reasonable protection against harmful interference when the equipment is operated in a commercial environment. This equipment generates, uses, and can radiate radio frequency energy and, if not installed and used in accordance with the instruction manual, may cause harmful interference to radio communications.

Operation of these equipment in a residential area is likely to cause harmful interference in which case the user will be required to correct the interference at his own expense.

Information to user:

The user manual or instruction manual for an intentional or unintentional radiator shall caution the user that changes or modifications not expressly approved by the party responsible for compliance could void the user's authority to operate the equipment.

Dieses Gerät entspricht der EMC-Verordnung und der Verordnung für elektrische Geräte.

Prüfungen, Tests und Untersuchungen wurden nach UL 60950, CSA 22.22-60950 durchgeführt.

Prüfungen, Tests und Untersuchungen wurden nach dem CB-Schema durchgeführt.

Prüfungen, Tests und Untersuchungen wurden nach dem PCT-Schema durchgeführt.

Declaration of Conformity

We, the company WolfVision GmbH, Oberes Ried 14, A-6833 Klaus, refer to the self-declaration of the company TP-Link, which is shown on the next page. Our products operate this wireless adapter within the country-specific standards, and hereby comply with all technical regulations.

Klaus, 17. Juli 2013

WolfVision GmbH

A handwritten signature in blue ink, appearing to read "Martin Wolf".

Martin Wolf

DECLARATION OF CONFORMITY

For the following equipment:

Product Description: **N600 Wireless Dual Band USB Adapter**

Model No.: **TL-WDN3200**

Trademark: **TP-LINK**

We declare under our own responsibility that the above products satisfy all the technical regulations applicable to the product within the scope of Council Directives:

Directives 1999/5/EC, Directives 2006/95/EC, Directives 1999/519/EC, Directives 2011/65/EU

The above product is in conformity with the following standards or other normative documents:

ETSI EN 300 328 V1.7.1: 2006

ETSI EN 301 489-1 V1.8.1:2008 & ETSI EN 301 489-17 V2.1.1:2009

EN60950-1:2006+A11:2009+A1:2010

EN62311:2008

EN 301 893

EN 302 502

The product carries the CE Mark:



Person is responsible for marking this declaration:

A handwritten signature in black ink, appearing to read 'Yang Hongliang', is written over a light gray grid background.

Yang Hongliang

Product Manager of International Business

Date of issue: 2012

TP-LINK TECHNOLOGIES CO., LTD.

Building 24 (floors 1, 3, 4, 5), and 28 (floors 1-4) Central Science and Technology Park,
Shennan Rd, Nanshan, Shenzhen, China

Copyright Information

Copyright © WolfVision. Alle Rechte vorbehalten.

WolfVision, Wofu Vision und 沃福视讯 sind registrierte Warenzeichen der WolfVision Holding AG, Austria.

Dieses Dokument darf ohne vorherige schriftliche Zustimmung von WolfVision weder als Ganzes noch in Teilen mit irgendwelchen Mitteln kopiert, reproduziert oder übertragen werden. Ausgenommen sind Kopien, die vom Benutzer zu Sicherungszwecken aufbewahrt werden.

Im Interesse einer ständigen Produktverbesserung behält sich WolfVision das Recht vor, die Produktspezifikationen ohne Ankündigung zu ändern.

Änderungen an diesem Dokument bleiben vorbehalten.

Haftungsausschlussklärung: WolfVision ist nicht haftbar für technische und redaktionelle Fehler und Unvollständigkeit.

Die Geräte sind "MADE IN EU/AUSTRIA"

Gedruckt in Österreich, Oktober 2015

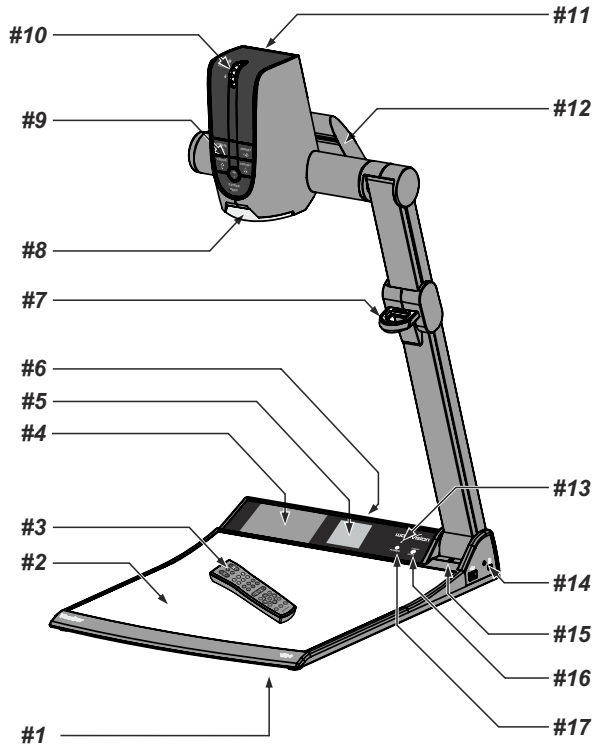
Weltweite Patente

EU 1 483 529
RU 2279602
US 7,104,512
TW I 247964
KR 0576806

RU 2265284
US 7,035,011
TW I 226969
DE 202 03 785.1
AT-U 7841

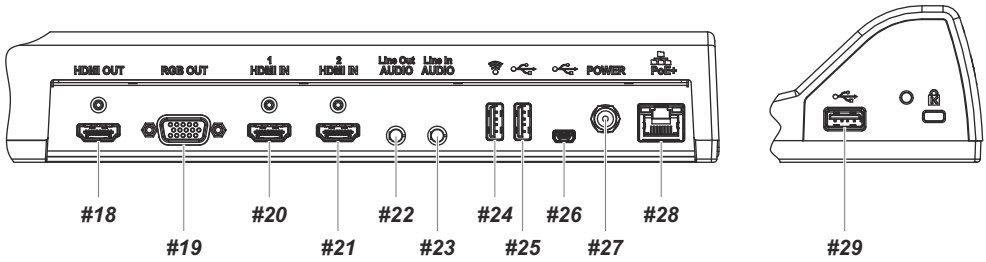
FR 03 02886
JP 3 096 342
und weitere

Teile des Visualizers



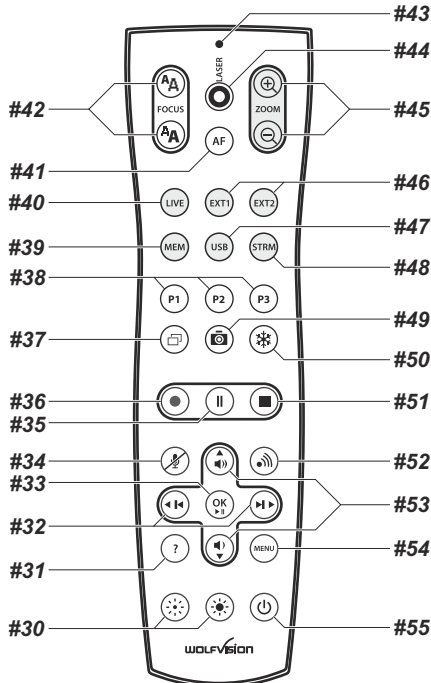
- #1 **Alternative Diebstahlsicherung** (auf der Geräteunterseite, siehe Seite 26)
- #2 **Arbeitsplatte** (siehe Seite 11)
- #3 **IR-Fernbedienung** (siehe Seiten 7, 8, und 25)
- #4 **Vorschau Monitor** (siehe Seite 11)
- #5 **Leuchtfeld für Dias** (siehe Seite 12)
- #6 **Anschlüsse** (auf der Geräterückseite und seitlich - siehe nächste Seite)
- #7 **Ziehvorrichtung für den Arm** (siehe Seite 10)
- #8 **Nahlinse für die Kamera** (siehe Seite 12)
- #9 **Kamera Tasten** (siehe Seite 9)
- #10 **Zoom Rad** (siehe Seite 9)
- #11 **IR-Empfänger Kamerakopf**
- #12 **Licht**
- #13 **IR-Empfänger Basis**
- #14 **Öffnung für ein Kensington lock®** (siehe Seite 26)
- #15 **Mikrophon eingebaut** (siehe Seite 22)
- #16 **LICHT Taste** (siehe Seite 9)
- #17 **POWER Taste** (siehe Seite 9)

Anschlüsse (#6)



- #18 **HDMI OUT** Ausgang (siehe Seite 20)
- #19 **RGB OUT** Ausgang (15-Pin) (siehe Seite 20)
- #20 **HDMI IN 1** Eingang für HDMI-Signale (siehe Seite 21)
- #21 **HDMI IN 2** Eingang für HDMI-Signale (siehe Seite 21)
- #22 **AUDIO Line Out** Ausgang für Audio Signale (siehe Seite 22)
- #23 **AUDIO Line In** Eingang für Audio Signale (siehe Seite 22)
- #24 **USB** Anschluss für optionalen **WLAN Dongle** (Client) (siehe Seiten 18 und 24)
- #25 **USB** Anschluss für Client (Funktion ident wie #24 und #29)
- #26 **USB** Anschluss zum **Computer** (Host) (siehe Seite 23)
- #27 **Stromanschluss** 12V DC
- #28 **LAN** Anschluss 10/100 Base T/TX mit PoE+ Funktionalität (siehe Seiten 18, 23 und 24)
- #29 **USB** Anschluss für **USB-Massenspeichergeräte** (Client) (siehe Seiten 15, 16, 23 und 25)

Infrarot Fernbedienung (#3)



Tasten auf der Infrarot Fernbedienung

#30 Manuelle HELLIGKEITS Tasten (manuelle Blende)

Wenn die HELLIGKEITS-Tasten gedrückt werden, ändert der Visualizer die Bildhelligkeit (siehe Seite 13).

#31 ? HILFE / RESET Taste (Doppelfunktion)

Zeigt Informationen über den aktuellen Aufnahmestatus, verbleibende Aufnahmezeit und Audio Einstellungen (siehe Seite 13).

Bei aktivem On-Screen Menü wird ein Hilfetext zum gerade gewählten Menü-Punkt gezeigt. Drücken der Taste für 2 Sekunden setzt den gewählten Punkt auf den Standardwert zurück (siehe Seite 19).

#32 ZURÜCK / VORWÄRTS Tasten / MENÜ NAVIGATIONS-Tasten (Doppelfunktion)

Zum Navigieren der gespeicherten Bilder im MEM und USB Modi (siehe Seite 16).

Zum Navigieren innerhalb des On-Screen Menüs (siehe Seite 19).

#33 OK Taste

Zur Bestätigung bei aktivem On-Screen Menü (siehe Seite 19), MEM oder USB Modi (siehe Seite 16).

#34 Audio Mute Taste

Schaltet die Audio Eingänge stumm.

#35 Video Aufnahme Pause Taste

Pausiert die Video Aufnahme und setzt diese wieder fort (siehe Seite 15).

#36 Video Aufnahme Taste

Startet die Video Aufnahme (siehe Seite 115).

#37 PiP Taste

Aktiviert den „Picture in Picture“ Modus (Bild im Bild) (siehe Seite 17).

#38 PRESET Tasten (programmierbare Einstellung)

Kurzes Drücken = Preset abrufen

Mehr als 2 Sekunden gedrückt halten = Preset speichern (siehe Seite 13).

#39 MEM Taste

Zur Darstellung der Bilder und Videos des eingebauten Speichers (siehe Seite 16).

#40 LIVE Taste

Zur Darstellung des Kameralivebildes (siehe Seite 16).

#41 AUTO FOKUS (AF) Taste

Durch Drücken der AF-Taste wird Autofokus aktiviert/de-aktiviert (siehe Seite 13).

#42 Manuelle FOKUS Tasten

Zum Fokussieren (siehe Seite 13).

#43 LASER POINTER LED

Leuchtet sobald der Laserpointer aktiv ist.

#44 LASER POINTER Taste

Wichtig: Nicht direkt in den Laserstrahl blicken! Dies kann Ihre Augen schädigen!

#45 ZOOM Tasten

Steuert das Kamerazoom und ändert die Größe des Aufnahmebereiches.

#46 EXT1 und EXT2 Tasten

Zur Darstellung der externen Signale. Mit der LIVE Taste zeigt der Visualizer das Livebild (siehe Seite 21).

#47 USB Taste

Zur Darstellung der Bilder und Videos vom USB-Stick (siehe Seite 16).

#48 STRM Taste

Zeigt das Bild vom empfangenen Stream (siehe Seite 18).

#49 SNAPSHOT Taste

Aktiviert die SNAPSHOT-Funktion (siehe Seite 15).

#50 FREEZE Taste

Friert das aktuelle Bild ein (Standbild) (siehe Seite 13).

#51 Video Aufnahme Stopp Taste

Stoppt die Video Aufnahme (siehe Seite 15).

#52 Stream Taste

Startet und beendet Streaming über das Netzwerk (siehe Seite 18).

#53 Audio Lautstärke Tasten / MENÜ NAVIGATIONS-Tasten (Doppelfunktion)

Erhöht / verringert die Lautstärke der Audio Ausgänge.

Zum Navigieren innerhalb des On-Screen Menüs (siehe Seite 19).

#54 MENU Taste

Kurzes Drücken aktiviert das On-Screen Menü (siehe Seite 19).

#55 POWER Taste

Schaltet das Gerät ein und aus. Beim Einschalten wird der Power-on Preset ausgeführt.

Tasten am Visualizer

Das Bedienkonzept der portablen WolfVision Visualizer sieht vor, dass sich am Gerät selbst nur die wichtigsten Tasten befinden. Dadurch kann jeder den Visualizer sofort auch ohne Einschulung bedienen. Für erfahrene Anwender gibt es zusätzliche Funktionen auf der Fernbedienung. Beinahe alle Funktionen der Fernbedienung können durch die Doppelfunktion der Tasten am Gerät aufgerufen werden.

Basis

Die POWER und LIGHT Tasten sind kapazitiv und müssen nur berührt werden (Tastenbereich frei halten).

#16 LIGHT Taste

Die LICHT Taste schaltet das Oberlicht ein und aus.

Der Visualizer wechselt zwischen Oberlicht, Dia-Leuchtfeld und kein Licht.

Durch Berühren der LIGHT Taste für 2 Sekunden wird ein One Push Weißabgleich durchgeführt (siehe Seite 14).

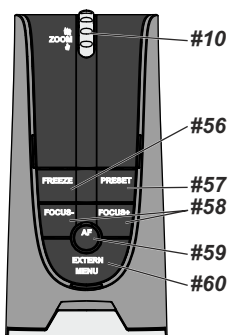
Bei Aktivierung des Dia-Leuchtfeldes zoomt der Visualizer auf die Dia-Größe.

#17 POWER Taste

Schaltet das Gerät ein und aus. Beim Einschalten wird der Power-on Preset ausgeführt.

Kamerakopf

Standard Modus



#10 ZOOM Rad

Durch Drehen des ZOOM-Rades nach unten zoomt der Visualizer in Richtung Tele-Position, nach oben in Richtung Weitwinkel-Position. Je weiter das ZOOM-Rad gedreht wird, umso schneller zoomt der Visualizer.

#56 FREEZE Taste / MENÜ: SELECT Taste - links

Friert das aktuelle Bild ein. Die FREEZE-LED zeigt ob der FREEZE-Modus aktiv ist. Bei aktiviertem On-Screen Menü arbeitet die FREEZE Taste als Menü Auswahl Taste (siehe Seite 19).

#57 PRESET Taste / MENÜ: SELECT Taste - rechts

Kurzes Drücken = PRESET 1 abrufen

Mehr als 2 Sekunden drücken = PRESET 1 speichern (siehe Seite 13).

Bei aktiviertem On-Screen Menü arbeitet die PRESET Taste als Menü Auswahl Taste (siehe Seite 19).

#58 Manual FOCUS Taste / MENÜ: NAVIGATIONS Tasten - auf und ab

Sobald eine der FOCUS Tasten gedrückt wird, schaltet der Visualizer den Autofokus ab. Beim nächsten Betätigen der AF-Taste wird der Autofokus wieder eingeschaltet (siehe Seite 13).

Bei aktiviertem On-Screen Menü arbeiten die FOCUS Tasten als Menü-Navigations Tasten (siehe Seite 19).

#59 AF (AUTO FOKUS) Taste / MENÜ: ? / HILFE Taste

Schaltet den Autofokus ein und aus. Die AF-LED zeigt ob der AF eingeschaltet ist (siehe Seite 13).

Bei aktiviertem On-Screen Menü arbeitet die AF Taste als ? Taste.

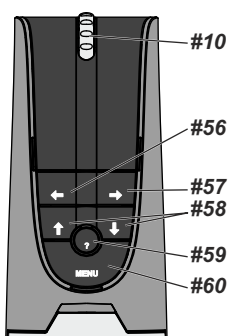
Durch Drücken für 2 Sekunden wird die ausgewählte Menüeinstellung zurückgesetzt (siehe Seite 19).

#60 EXTERN Taste / MENU Taste

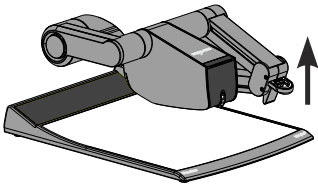
Zum Umschalten zwischen Visualizer-Bild und externem Eingang (siehe Seite 21). Die EXTERN LED zeigt ob der AF eingeschaltet ist.

Durch Drücken der EXTERN Taste für 2 Sekunde wird das On-Screen Menü aktiviert (siehe Seite 19).

Menü Modus



Aufstellen des Visualizers



1. Netzgerät am Power-Eingang (#27) anschließen.
2. Ausgabegerät (Projektor, Monitor, Videokonferenzanlage, etc.) an den passenden Ausgang des Visualizers (#18, 19, #28 oder #29) anschließen.

WICHTIG:

Lesen Sie bitte unbedingt die Hinweise zur Auswahl des richtigen Ausganges auf Seite 20ff!

3. Arm mit der Ziehvorrichtung nach oben ziehen (#7). Die Kamera und das Licht bewegen sich automatisch in die richtige Arbeitsposition. Der Visualizer schaltet sich beim Aufstellen des Armes automatisch ein. Alternativ kann der Visualizer mit der POWER Taste eingeschaltet werden (#17 oder #55).

WICHTIG:

Arm nur mit der Ziehvorrichtung (#7) bewegen!

Power-on Preset:

Beim Einschalten des Visualizers werden automatisch folgende Einstellungen hergestellt: Aufnahmefläche mit Bildbreite von ca. 20cm (A5), Autofokus an, Autoiris an. Sobald die POWER LED durchgehend grün leuchtet, ist der Visualizer betriebsbereit.

Das Verhalten des Gerätes beim Einschalten oder nach dem Drücken der POWER Taste kann im On-Screen Menü geändert werden (siehe Seite 19).

Erstmaliges Einschalten des Visualizers - Setup Assistent

Beim ersten Einschalten des Visualizers startet der Setup Assistent (Quick Setup Guide) automatisch (On-Screen Menü am HDMI-, RGB Ausgang und am eingebauten Display). Navigieren Sie mit den Pfeil Tasten durch dieses Menü.

Die Einstellungen sind:

Sprache (Language)

Wählen Sie die gewünschte Sprache für das On-Screen Menü.

Netzwerk Einstellungen (Ethernet Settings)

Die IP-Adresse, Subnetzmaske und die Gateway IP-Adresse kann von einem DHCP-Server automatisch bezogen oder manuell gesetzt werden.

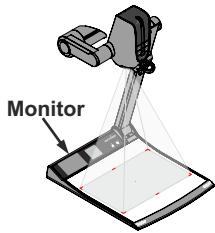
Zeit Einstellung (Time Settings)

Der Visualizer hat eine eingebaute Uhr bietet aber auch die Möglichkeit der Verwendung eines externen TimeServers (Voraussetzungen: gültige TimeServer IP-Adresse und eine Internetverbindung).

Audio Einstellung (Audio Settings)

Ermöglicht die Konfiguration der Audio Ein- und Ausgänge. Der Eingang Line-In ist ab Werk de-aktiviert und kann bei Bedarf aktiviert werden.

Positionieren auf der Arbeitsfläche



Die synchronisierte Lasermarkierung markiert die Ecken des aufgenommenen Bildes. Dadurch ist das Positionieren von Objekten auf der Arbeitsfläche sehr einfach. Die Lasermarkierung zoomt synchron mit der Kamera und zeigt den 16:9 Aufnahmebereich.

Durch den eingebauten Monitor erübrigt sich die Anschaffung eines separaten Kontrollmonitors. Dieser Monitor kann unterschiedliche Signale darstellen, immer das aktuelle Signal des Visualizers, auch wenn der Hauptausgang nur ein Standbild liefert, oder immer dasselbe Signal wie der Hauptausgang (*kann im On-Screen Menü eingestellt werden - siehe Seite 19*). Das On-Screen Menü wird ebenso auf diesem Monitor dargestellt.

Arbeitsplatte (#2)

Die Arbeitsplatte des Visualizers hat eine besondere kristallin-weiße Oberfläche, welche speziell für die Wiedergabe von Folien ausgelegt ist.

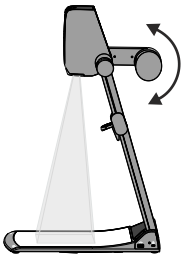
Für folgende Anwendungen empfiehlt sich jedoch die Verwendung einer Lichtbox:

- Wenn die Overheadfolien sehr dunkel sind
- Wenn die Overheadfolien sehr wellig sind und Reflexionen verursachen
- Wenn das Raumlicht Reflexionen auf der Overheadfolie verursacht

Die optionale Whiteboard Folie kann für direkte Bemerkungen und Notizen mit speziellen Whiteboard Stiften verwendet werden. Ersatzfolien sind bei WolfVision erhältlich.

Weitere Informationen finden Sie auf unserer Homepage: www.wolfvision.com (Produkte/Zubehör)

Reflexionen



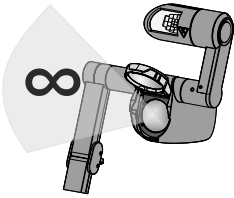
Um Reflexionen (auf glänzendem Material wie z. B. Fotos) zu vermeiden, muss oft nur das Licht des Visualizers leicht nach oben oder unten geschwenkt werden (Standardposition ist waagrecht).

Es kann auch das Objekt verschoben und dann die Kamera dementsprechend gedreht werden um Reflexionen zu vermeiden.

Die Wölbung der Arbeitsfläche ist optimiert um Reflexionen zu vermeiden.

Bitte beachten Sie, dass auch das normale Raumlicht Reflexionen bewirken kann.

Aufnahmen außerhalb der Arbeitsfläche

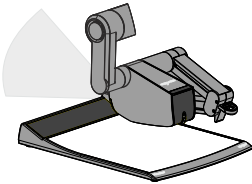


Nahlinse

Um Objekte außerhalb der Arbeitsfläche aufzunehmen, muss die Nahlinse (#8) hochgeklappt werden. Es ist nicht möglich, die Linse komplett zu entfernen, somit kann diese nicht verloren gehen.

Um wieder Aufnahmen auf der Arbeitsfläche machen zu können, klappen Sie die Nahlinse wieder in die ursprüngliche Position (vor der Kameraoptik).

Die Kamera kann um 290° gedreht werden (110° zum Vortragenden und 180° zum Publikum).

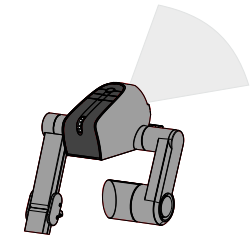


Drehen der Beleuchtungseinheit / variabler Betrachtungswinkel

Um das Arbeiten mit Beleuchtung auch außerhalb der Arbeitsfläche zu ermöglichen, kann das Licht vertikal gedreht werden.

Um in einem niedrigeren Betrachtungswinkel als der normalen Arbeitsposition des Visualizers zu arbeiten, kann der Arm soweit wie gewünscht nach unten geklappt werden.

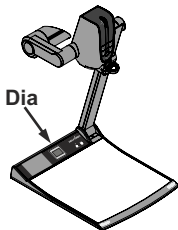
Bei Standardeinstellung schaltet der Visualizer in den Standby Modus sobald der Arm zusammengeklappt wird. Dieses Verhalten kann im On-Screen Menü geändert werden (siehe Seite 19).



Bilddrehung "Image Flip"

Sobald die Kamera des Visualizers gedreht wird um vor dem Gerät aufzunehmen, wird das Bild automatisch um 180° gedreht ("Image Flip"), damit es nicht auf dem Kopf steht. Dieses Feature ist sehr nützlich, wenn z.B. das Gesicht des Vortragenden oder Objekte an der Wand aufgenommen werden sollen.

Leuchtfeld für Dias



Platzieren Sie das Dia auf dem eingebauten Leuchtfeld, drehen Sie die Kamera bis sich das Dia in der Mitte des abgetasteten Bereiches befindet und schalten dann das Leuchtfeld mit der Lichttaste (#16) ein. Die Kamera zoomt das Dia automatisch ein und der Autofokus stellt automatisch auf das Dia scharf.

Fokussierung / Autofokus

Beim Einschalten des Visualizers wird automatisch auf das aufgenommene Objekt fokussiert.

Bitte beachten Sie, dass kontrastschwache Objekte (wie z.B. ein leeres Blatt Papier) schwierig zu fokussieren sind.

Für spezielle Anwendungen kann der Autofokus mit der AF Taste (#41 oder #59) deaktiviert werden. Der Autofokus wird ebenfalls abgeschaltet, sobald eine der manuellen FOKUS Tasten (#42 oder #58) verwendet wird.

Zoom optisch / digital

Der Visualizer verfügt über ein optisches **16-fach** Zoom, der Zoombereich wird durch ein digitales **4-fach** Zoom auf ein **64-fach** Zoom erweitert. Der kleinste Aufnahmebereich auf der Arbeitsfläche ist 25 x 19mm ohne Digital-Zoom. Bei weiterem Hineinzoomen wird das Digital-Zoom automatisch aktiviert. Der kleinste Aufnahmebereich ist dann **6 x 4 mm**. Bitte beachten Sie, dass im digitalen Zoombereich die Auflösung nicht mehr so hoch ist wie im optischen Zoombereich.

Bei Standardeinstellung erscheint eine Meldung am Bildschirm, sobald sich der Visualizer im digitalen Zoombereich befindet.

Sie können das Verhalten im digitalen Zoombereich im On-Screen Menü ändern (siehe Seite 19).

Automatische / Manuelle Helligkeitsregelung (Blende)

WolfVision Visualizer sind mit einer automatischen Bildhelligkeitsregelung ausgestattet. Das heißt, dass sich die Helligkeit des Kamerabildes immer automatisch einstellt.

Durch Betätigen der HELLIGKEITS Tasten (#30) wird das Bild heller oder dunkler.

Der Standardreferenzwert der Helligkeitsregelung (Bild Helligkeit) kann im On-Screen Menü verändert werden.

Bei Aufnahme von Bereichen mit sehr hellen Bildbereichen kann die Gegenlichtkompensation (Back Light Compensation) aktiviert werden - siehe Seite 19 und On-Screen Hilfe.

Preset Funktion (Voreinstellung)

WolfVision Visualizer bieten die Möglichkeit, die augenblicklichen Einstellungen als Preset abzuspeichern und über die entsprechende PRESET Taste (#38) der Fernbedienung wieder abzurufen. Preset 1 kann auch durch Drücken der PRESET Taste (#57) am Kamerakopf aufgerufen werden.

Um eine Preset-Einstellung zu programmieren, stellen Sie zuerst alle gewünschten Einstellungen ein und drücken dann eine der Preset-Tasten für mehr als 2 Sekunden. Am Bildschirm erscheint eine Meldung, sobald die Einstellungen übernommen wurden.

Im Gegensatz zu der hier erwähnten Preset Speicherung, bei der alle augenblicklichen Einstellungen wie Zoom, Focus, Iris etc. mitgespeichert werden, können den PRESET-Tasten auch einzelne Funktionen wie z.B.: "LIGHT", "NEGATIVE", "NEGATIVE/BLUE", "BLACK/WHITE", "FREEZE" etc. im On-Screen Menü zugewiesen werden (siehe Seite 19).

Tipp:

Bei Aufnahme von Dokumenten im Hoch- und Querformat kann einer Preset Taste die Funktion „SEITEN-VERHÄLTNIS“ zugewiesen werden. Dadurch wechselt der Kameraaufnahmemodi zwischen 4:3 und 16:9.

Freeze (Standbild)

Das aktuell gezeigte Live-Bild kann durch Drücken der FREEZE Taste (#50 oder #56) eingefroren werden.

Während das eingefrorene Bild gezeigt wird, kann das nächste Objekt vorbereitet werden.

Info Anzeige (Status)

Die Info Anzeige wird mit der ? HILFE Taste (#31) aktiviert und für ein paar Sekunden dargestellt.

Verfügbare Informationen sind verbleibende Aufnahmezeit, Aufnahme Status und Audio Einstellungen.

Status Symbole (Icons)

In der linken unteren Ecke werden entsprechende Symbole für Aufnahme, Streaming und Audio angezeigt.

Weißabgleich

Eine korrekte Weißabgleich-Einstellung ist sehr wichtig für eine exakte Farb-Wiedergabe! Immer wenn sich die Lichtbedingungen ändern, muss die Kamera des Visualizers einen Weißabgleich durchführen um korrekte Farben wiedergeben zu können. Die Lichtbedingungen (Farbtemperatur) ändern sich z.B., wenn zwischen dem Licht des Visualizers und einer externe Lichtbox gewechselt wird, oder wenn die Raumbelichtung ein- bzw. ausgeschaltet wird.

Die Standardeinstellung des Visualizers ist **"Auto Tracking"** Weißabgleich. Das heißt, dass der Weißabgleich ständig automatisch nachjustiert wird.

Für einen exakten Weißabgleich sollten mindestens 10% des aufgenommenen Bildes weiß sein. Für eine präzise, fixe Weißabgleichseinstellung verwenden Sie den "One-Push"-Weißabgleich (=Weißabgleich auf Tastendruck). Der "One-Push"-Weißabgleich wird durch Drücken der LIGHT Taste (#16) für 2 Sekunden ausgeführt (oder der programmierten PRESET Taste). Nach Speichern des neuen Weißwertes erscheint eine Meldung auf dem Bildschirm und der "Auto Tracking" Modus wird abgeschaltet (nach Aus- und Einschalten des Gerätes wird "Auto Tracking" wieder aktiviert).

Normalerweise ist es nicht nötig, einen manuellen Weißabgleich durchzuführen. Wenn jedoch die Farben auf Ihrem Bildschirm falsch erscheinen, sollte ein manueller (One-Push) Weißabgleich durchgeführt werden:

Tipps beim Ausführen eines One-Push Weißabgleiches:

Oberlicht:

Zoomen Sie auf einen weißen Gegenstand (z.B. weißes Blatt Papier), bis das gesamte Bild weiß ist und drücken dann die LIGHT Taste für 2 Sekunden.

Lichtbox mit Overheadfolien:

Schalten Sie das Visualizer-Licht mit der LIGHT Taste aus und die Lichtbox ein. Entfernen Sie alles von der Arbeitsfläche und zoomen Sie auf die kleinste Bildgröße, bis das gesamte Bild weiß ist und drücken dann die LIGHT Taste für 2 Sekunden.

Lichtbox mit Röntgenbildern:

Schalten Sie das Visualizer-Licht mit der LIGHT Taste aus und die Lichtbox ein. Positionieren Sie das Röntgenbild auf der Arbeitsfläche und zoomen Sie hinaus, bis das gesamte Bild abgetastet wird und drücken dann die LIGHT Taste für 2 Sekunden.

Bitte beachten Sie: Falsche Farben können auch auf falsche Monitor- oder Projektor-Einstellungen zurückzuführen sein. Es wird empfohlen, zuerst beim Visualizer einen manuellen Weißabgleich durchzuführen, und wenn dieser kein zufriedenstellendes Resultat liefert, die Einstellungen des Monitors oder Projektors zu überprüfen.

*Für Spezialisten: Im On-Screen Menü des Visualizers (siehe Seite 19) kann zwischen den Weißabgleichs-Arten **"Auto Tracking"**, **"One Push"** und **"Manual"** umgeschaltet werden. Wenn Sie mit Negativfilmen auf einer Lichtbox arbeiten, benutzen Sie einen leeren (dunklen) Teil des Filmes für den Weißabgleich. Der "One-Push"-Weißabgleich wird für das Oberlicht, Dia-Leuchtfeld und externe Lichtbox (kein Licht) separat eingestellt und abgespeichert.*

optional: Lichtbox

Wenn eine Lichtbox benutzt wird, sollte das Licht des Visualizers mit der LIGHT Taste (LIGHT) abgeschaltet werden.

Für den Visualizer empfiehlt sich die Verwendung der WolfVision Lichtbox LB-9.

Snapshot (Schnappschuß) - Speichern von Einzelbildern

Durch Drücken der SNAPSHOT Taste (#49) wird das aktuell angezeigte Bild im nächsten freien Bildspeicherplatz abgelegt.

Eingebauter Speicher (externes USB-Speichermedium ist nicht vorhanden)

Der Visualizer hat einen eingebauten Speicher mit 8GB für die Speicherung von Bildern und Videos.

Die Bilder (und Videos) können im MEM Modus aufgerufen werden.

Alle Bilder werden im Format JPG mit Datum- und Zeitstempel abgespeichert (WV_JJJJMMDD_hhmmss).

Beispiel: WV_20150919_024735.jpg

Eine On-Screen Meldung informiert über den Dateinamen.

Externes USB-Speichermedium angeschlossen

Der Visualizer benutzt das angeschlossene USB-Speichermedium für die Speicherung von Bildern. Der verfügbare Speicherplatz ist abhängig vom benutzten Speichermedium.

Alle Bilder werden im Format JPG mit laufender Nummer, Datum- und Zeitstempel abgespeichert (WVxxxxx_JJJJMMDD_hhmm). Beispiel: WV000001_20150919_0247.jpg

Eine On-Screen Meldung informiert über den Dateinamen.

Die Bilder (und Videos) können im USB Modus aufgerufen werden. Oder am Computer, wenn eine entsprechende Bildbetrachtungssoftware installiert ist.

Die Eigenschaften der USB Funktion können im On-Screen Menü (Erweiterte Einstellungen - USB Stick Einstellungen) geändert werden, wie Standard-Dateiablageverzeichnis (Ordnername) und Dateinamen ("WV" und fortlaufende Nummerierung).

Video - Aufnahme von Video Clips

Der Visualizer unterstützt die Aufnahme von Video Clips im Multimedia-Containerformat mit Codec H.264 inklusive Audio (Dateierweiterung lautet *.avi).

Wählen Sie die gewünschte Quelle (Kamera Livebild, externe HDMI Quelle oder Bildspeicher) und die Audioquelle (HDMI-In, Line In) im On-Screen Menü und starten dann die Aufnahme mit der REC Taste (#36). Die Aufnahme kann mit der PAUSE Taste (#35) pausiert und fortgesetzt werden. Die Aufnahme wird mit der STOPP Taste (#51) beendet.

Benutzen Sie die Lautstärke Tasten (#53) für die Anpassung der Lautstärke und die MUTE Taste (#34) für die Stummschaltung.

Hinweis:

Ein entsprechendes Symbol in der linken unteren Ecke informiert über eine aktive Aufnahme.

Der Visualizer schaltet automatisch auf den Codec H.264 um sobald die Aufnahme von Video Clips gestartet wird (Erweiterte Einstellungen / Stream/Aufnahme-Einstellungen).

Die Video Dateien werden im internen Speicher oder auf dem externen USB Speichermedium, wenn angeschlossen, gespeichert.

Jede Datei wird mit Datum- und Zeitstempel gespeichert (WV_JJJJMMDD_hhmmss).

Beispiel: WV_20150919_024735.avi

Eine On-Screen Meldung informiert über den Dateinamen sobald die Aufnahme gestoppt wurde.

Tipp: Durch Drücken der ? Taste (#31) wird der aktuelle Status der Aufnahme angezeigt, wie verfügbarer Speicherplatz und Audio-Einstellungen.

Eingebauter Speicher (externes USB-Speichermedium ist nicht vorhanden)

Der Visualizer verfügt über 8GB Speicherplatz für Bilder und Videoaufnahmen.

Die Videos (und Bilder) können im MEM Modus aufgerufen werden.

Externes USB-Speichermedium angeschlossen

Der Visualizer benutzt das angeschlossene USB-Speichermedium für die Speicherung von Videos. Der verfügbare Speicherplatz ist abhängig vom benutzten Speichermedium.

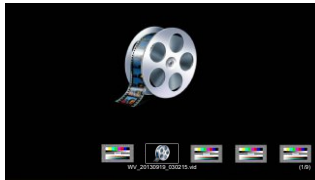
Die Videos (und Bilder) können im USB Modus aufgerufen werden. Oder am Computer, wenn eine entsprechende Videobetrachtungssoftware installiert ist.

Das Standardverzeichnis (Folder) kann im On-Screen Menü (Erweiterte Einstellungen / USB Stick) geändert werden.

Bei jeder Video-Aufnahme wird eine Video-Datei aufgezeichnet. Und bei Übersteigen einer Dateigröße von 4GB wird automatisch eine neue Datei erstellt.

MEM Modus

Um den MEM Modus zu starten, drücken Sie die MEM Taste (#39), die Schnellansicht wird dargestellt. Zusätzlich wird eine Statuszeile mit Bildinformationen am unteren Bildrand angezeigt. Durch Drücken der LIVE Taste (#40) wechselt der Visualizer zurück zum Livebild. Die Präsentation bleibt beim zuletzt gezeigten Bild stehen, für eine Fortsetzung drücken Sie die MEM Taste. Zur Auswahl eines der dargestellten Bilder verschieben Sie die Bildlaufleiste mit den ZURÜCK/VORWÄRTS Tasten (#32) und Drücken Sie dann die OK Taste (#33). Benutzen Sie dann die ZURÜCK/VORWÄRTS Tasten um das vorige/nächste Bild darzustellen. Mit der OK Taste kehren Sie zur Schnellansicht zurück.



Schnellansicht



Schnellansicht

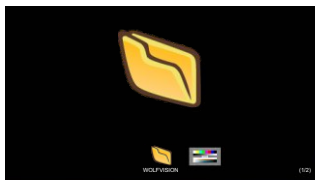


Vollbild

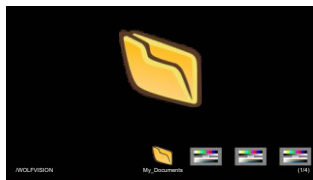
Im On-Screen Menü können Bilder und Videos gelöscht werden. Gespeicherte Bilder und Video Clips können im On-Screen Menü des MEM Modus auf das USB-Speichermedium kopiert werden.

USB Modus

Um den USB Modus zu starten, drücken Sie die USB Taste (#47), die Schnellansicht wird dargestellt, samt verfügbarer Verzeichnisse (Ordner, Folder). Zusätzlich wird eine Statuszeile mit Bildinformationen am unteren Bildrand angezeigt. Durch Drücken der LIVE Taste (#40) wechselt der Visualizer zurück zum Livebild. Die Präsentation bleibt beim zuletzt gezeigten Bild stehen, für eine Fortsetzung drücken Sie die USB Taste. Zur Auswahl eines der dargestellten Bilder verschieben Sie die Bildlaufleiste mit den ZURÜCK/VORWÄRTS Tasten (#32) und drücken Sie dann die OK Taste (#33). Benutzen Sie dann die ZURÜCK/VORWÄRTS Tasten um das vorige/nächste Bild darzustellen. Mit der OK Taste kehren Sie zur Schnellansicht zurück.



Schnellansicht



gewähltes Verzeichnis "My_Documents"



gewähltes Bild "pattern.jpg"

Im On-Screen Menü können Bilder und Videos gelöscht werden. Benutzen Sie Ihren Computer zur Organisation des USB Sticks wie Erstellen oder Löschen von Verzeichnissen, Verschieben und Löschen von Bildern oder Formatieren des USB-Speichermediums. *Bei einer Formatierung des USB-Speichermediums werden alle darauf befindlichen Daten gelöscht!* Unterstütztes File System Format ist FAT16 und FAT32. Unterstütztes Bilddateiformat ist JPG. Unterstütztes Videoformat ist AVI-Container mit Codec H.264 (Dateierweiterung lautet *.avi).

Eingebauter Scaler (für HDMI-In, USB-Stick and vSolution Connect)

Der Visualizer hat einen eingebauten, digitalen Scaler. Dieser verarbeitet das Signal der externen Eingänge und passt den Ausgangsmodus dem Visualizer-Bild an (Beispiel: Wenn der Visualizer eingestellt ist, ein 1080p (FullHD)-Bild auszugeben, und der Computer ein XGA-Signal ausgibt, dann wandelt der Scaler das XGA-Signal des Computers auf 1080p um. Dadurch muss sich der Projektor beim Umschalten zwischen Computer und Visualizer-Bild nicht neu synchronisieren.)

Zudem rechnet der Scaler Bilder von einem angeschlossenen USB-Stick automatisch auf die aktuelle Ausgangs-Auflösung um.

Die Ausgangsauflösung des Visualizers kann im On-Screen Menü geändert werden (siehe Seite 19).

Eingebauter Bildmischer mit Überblendungseffekten

Der Visualizer besitzt einen integrierten Bildmischer.

Dieser ermöglicht Überblendungseffekte, wenn zwischen dem Bild des Visualizers, dem Bild des externen Einganges, den gespeicherten Bildern (interne Speicher und USB-Stick) und dem empfangenen Stream (vSolution Connect) umgeschaltet wird.

Das Verhalten kann im On-Screen Menü geändert werden (siehe Seite 19).

Bild in Bild (PiP) / Livebild zu Standbild-Vergleich



Der Bild in Bild Modus (PiP) bietet die Möglichkeit zwei verschiedene Bilder zur selben Zeit auf demselben Bildschirm zu zeigen. Drücken Sie dazu die PiP Taste (#37) um den Picture in Picture Modus zu aktivieren.

Das aktuelle Bild (z.B. externes Signal, Bildspeicher) wird klein in der linken, unteren Ecke und das Live Bild größer in der rechten oberen Ecke angezeigt. Der Inhalt des Live Bildes kann geändert werden, z.B. Aufrufen eines gespeicherten Bildes.

Folgende Vergleiche sind möglich: HDMI-In, Bildspeicher, Live Bild. Der Bildinhalt des kleinen Bildes wird eingefroren, außer wenn das Signal vom Externen Eingang kommt.

Das Verhalten des PiP Modus kann im On-Screen Menü, Ausgangseinstellungen, geändert werden (siehe Seite 19).



Stream über das Netzwerk senden

Der Visualizer hat einen eingebauten Streaming-Server, um Bild- und Toninhalte über das Netzwerk zu senden (Broadcast).

Stellen Sie eine Netzwerkverbindung her (Kabel oder kabellos) und öffnen Sie das On-Screen Menü Erweiterte Einstellungen / Stream/Aufnahme-Einstellungen. Hier kann die Ziel IP-Adresse (Empfänger des Streams) eingetragen werden (Multicast: 225.0.0.0 bis 238.255.255.255; mit allen anderen Adressen kann nur die eingetragene Adresse den Stream empfangen; die Adressen 224.x.x.x und 239.x.x.x sind reserviert und dürfen nicht verwendet werden). Wählen Sie hier auch den zu verwendenden Port, Modus, Auflösung, Frame-Rate und Format des Streams (bis zu RTP H264).

Mit der Mode-Einstellung „AUTO“ sendet der Visualizer den Stream nur auf Anfrage (OnDemand). Die WolfVision Software vSolution Link und die meisten Internetbrowser starten den Stream automatisch. Sollte der verwendete Browser oder eine sonstige Fremd-Applikation (Media Player) den Stream nicht starten können, kann der Stream manuell mit der STREAM Taste (#52) gestartet werden. Alternativ sendet der Visualizer den Stream permanent mit der Einstellung Modus=DAUERND (beachten Sie den resultierenden Netzwerkverkehr).

Die Einstellungen wie Auflösung, Frame-Rate und Format beeinflussen ebenfalls den Netzwerkverkehr.

Um den Stream in einer Fremdapplikation zu sehen, geben Sie die Netzwerk URL im Adressfeld ein:

Internet Browser, Beispiel: **http://192.168.0.2**

Media Player, Beispiel: **http://192.168.0.2/stream.sdp**

Die IP-Adresse ist die IP-Adresse des Visualizers (On-Screen Menü Erweiterte Einstellungen / Netzwerk Einstellungen). Der Visualizer sendet (streamt) den aktuell gezeigten Bildinhalt (Livebild Kamera, externer HDMI-In oder Bildspeicher) samt Audio (HDMI oder Lineln) über das Netzwerk.

Technischer Hintergrund:

UDP Multicast arbeitet wie ein Broadcast bei dem viele Clients denselben Video Stream empfangen können. Die Bandbreite bleibt hier immer dieselbe, egal wie viele Computer (Clients) verbunden sind. Da viele Router UDP Multicast jedoch nicht unterstützen, kann UDP Unicast als Punkt-zu-Punkt Verbindung verwendet werden (nur ein Empfänger ist möglich). Audio wird im RTP-Format unterstützt.

Im TCP Singlecast Modus baut jeder Computer einzeln eine Verbindung mit dem Visualizer auf. Wenn viele Computer verbunden sind, benötigt dies jedoch eine hohe Bandbreite (kein Audio im TCP Modus).

Tipps:

In der linken unteren Ecke werden entsprechende Symbole für Aufnahme, Streaming und Audio angezeigt.

Für vollen Funktionsumfang wird JAVA Version 7 (oder höher) benötigt.

Für vollen Funktionsumfang wird das Plug-In VLC (PC) oder QuickTime (Mac) benötigt.

Die verwendeten IP-Adressen und Ports dürfen nicht durch eine Firewall blockiert sein.

(Ports: tcp 80, tcp 50915, tcp 50921, udp 123, udp 8800, 8802 (default), udp 50000, udp 50913, udp 50914)

Der Netzwerkzugriff ist limitiert auf 128 gleichzeitig offene Verbindungen.

Manche Netzwerkrouter können Multicast Streams nicht weiterleiten.

Mehr Detailinformation finden Sie im Online-Handbuch "How To Connect the Visualizer to a Network".

Empfang eines Streams - vSolution Connect (Tablet)

Der Visualizer unterstützt den Empfang von Videostreams eines Tablets über das Netzwerk.

Laden Sie die App vSolution Connect vom Appstore, verbinden Sie das Tablet mit demselben Netzwerk wie der Visualizer und starten Sie die App. Nach Tippen auf das Icon „Connect“ legen Sie das Tablet in den Aufnahmebereich der Visualizerkamera und folgen Sie den Anweisungen am Bildschirm des Tablets.

Die Synchronisierung erfolgt mittels einer speziellen rot/blau Blinksequenz.

Nach erfolgter Verbindung können Dokumente vom Tablet an den Visualizer übertragen werden oder das Tablet kann das Bild des Visualizers empfangen. Das Tablet kann auch als Whiteboard und zur Speicherung von Bild- und Videomaterial verwendet werden.

Für den Wechsel zwischen Tablet und z.B. Visualizerkamera drücken Sie die LIVE Taste (#40) auf der Fernbedienung, zum Tablet gelangen Sie durch Drücken der STRM Taste (#48).

Hinweis:

vSolution Connect blockiert die Aufnahme von Video Clips am Visualizer, benutzen Sie die Funktion am Tablet.

vSolution Connect blockiert alle anderen Streams über Ethernet und USB.

Die nachfolgenden Kapitel sind nur für technisch versierte Anwender: ON-SCREEN MENÜ (Kamera Menü) / ON-SCREEN HILFE

Für normale Standard Anwendungen des WolfVision Visualizers ist es nicht notwendig, im On-Screen Menü Einstellungen vorzunehmen. Unerfahrene Anwender sollten hier keine Änderungen durchführen.

Drücken Sie die MENU Taste (#54 oder #60; bei Benutzung der Taste am Kamerakopf: die Taste halten bis das Menü erscheint), um in das On-Screen Menü zu gelangen. Einstellungen können nun mit den 4 Menü-Navigations-Tasten (= Tasten mit den Pfeilen auf der IR-Fernbedienung #32 und #53) oder den Navigationstasten am Kamerakopf (#56, #57 und #58) vorgenommen werden.

Wenn Sie weitere Informationen über eine Funktion im On-Screen Menü benötigen, dann setzen Sie den Cursor in die entsprechende Zeile und drücken die ? Hilfe Taste (#31 oder #59). Eine genaue Beschreibung der Funktion erscheint dann im Bild.

Durch Drücken der MENU Taste für 4 Sekunden erscheint das Extra Menü. Im Extra Menü kann z.B. das Zoomrad neu kalibriert werden. Durch Aufruf der Werkseinstellungen werden alle Einstellungen wie auch Auflösung und IP Adressen zurückgesetzt.

Die einzelnen Funktionen des Menüs sind in dieser Anleitung nicht im Detail beschrieben, da die Hilfe-Funktion ein integrierter Bestandteil der Visualizer Software (Firmware) ist. Die im Bild eingeblendeten Hilfetexte entsprechen der installierten Gerätesoftware (Firmware) des Visualizers.

Belichtungseinstellungen

Ändert Einstellungen mit Auswirkung auf die Bildhelligkeit wie z. B. Verstärkung, Belichtungszeit, automatische Blende, Bildhelligkeit und Gegenlichtkompensation.

Farbeeinstellungen

Ändert Einstellungen mit Auswirkung auf die Farbwiedergabe der Kamera wie z. B. Weißabgleich, Farbwiedergabemodi und Positiv/Negativ.

Tipp:

Falls Ihnen das Bild auf Ihrem Bildschirm zu hell oder zu dunkel erscheint beziehungsweise die Farbsättigung nicht stimmt, kann der Farbmodus geändert werden.

Für bessere Lesbarkeit von handgeschriebenen Texten kann der BLAU Modus verwendet werden.

Ausgangseinstellungen

Ändert Einstellungen mit Auswirkung auf die Ausgangssignale wie Schärfe und Auflösung.

Tipp:

Die Auflösungstestfunktion hilft zur Erkennung der vom Wiedergabegerät unterstützten Auflösungen. Die gewählte Auflösung wird nur temporär für 10 Sekunden aktiviert.

Voreinstellungen (Preset)

Ändert Einstellungen mit Auswirkung auf die Preset Tasten. Die Preset Tasten können auch mit anderen Funktionen belegt werden. Es können hier auch die ursprünglichen Einstellungen wieder hergestellt werden.

Erweiterte Einstellungen

Ändert Einstellungen mit Auswirkung auf das Einschaltverhalten, Digitalzoom, Netzwerk, Zeit/Datum und USB Stick.

Tipp:

Ändern des Ausschaltzustandes auf "ÖKO" oder "TIEF" spart im StandBy Modus zusätzlich Energie.

Unter "Geräte Info" finden Sie Informationen wie die Versionsnummer der aktuell installierten Firmware.

Grundeinstellungen Herstellen

Bei Aufruf werden alle bildbeeinflussenden Einstellungen zurückgesetzt. Einstellungen welche die Kommunikation mit anderen Geräten beeinflussen, wie Auflösung und Netzwerkeinstellungen, werden nicht zurückgesetzt.

Tipp:

Wenn Sie nur den gerade angewählten Menüpunkt auf den Standardwert zurücksetzen wollen, halten Sie die ? HILFE Taste (#31 oder #59) 2 Sekunden lang gedrückt

Setup Assistenten Starten (Quick Setup Guide)

Der Setupassistent wird bei der ersten Inbetriebnahme automatisch gestartet und kann jederzeit im Menü manuell ausgeführt werden. Der Assistent führt Sie durch Grundeinstellungen wie Netzwerk, Sprache, Zeit/Datum und Audio.

HDMI / RGB Ausgang (#18 und #19)

Wahl des richtigen Ausgangs-Modi

Die HDMI- und RGB-Ausgänge (#22 und #21) können folgende Signalfomate ausgeben:

- SVGA (4:3 - 800x600 Pixel) bei 60Hz
- XGA (4:3 - 1024x768 Pixel) bei 60Hz
- UXGA (4:3 - 1600x1200 Pixel) bei 60Hz
- SXGA (5:4 - 1280x1024 Pixel) bei 60Hz
- 720p (16:9 Widescreen HD - 1280x720 Pixel) bei 60Hz
- 1080p (16:9 Widescreen HD - 1920x1080 Pixel) bei 30Hz und 60Hz
- WXGA* (16:10 Widescreen - 1280x800 Pixel) bei 60Hz
- WUXGA (16:10 Widescreen - 1920x1200 Pixel) bei 60Hz

Ab Werk ist die "Auto Resolution" Funktion aktiviert. Hier prüft der Visualizer ständig, welche Geräte am HDMI- (#18) und RGB Ausgang (#19) angeschlossen sind und stellt automatisch den am besten geeigneten Standard für die Ausgänge ein.

Bitte beachten Sie, dass der Visualizer die mögliche Auflösung nicht feststellen kann, wenn die angeschlossenen Geräte oder Kabel** nicht "Plug and Play" kompatibel sind. Wenn der Visualizer die mögliche Auflösung der angeschlossenen Geräte nicht feststellen kann, wird die Auflösung automatisch auf den Standard von XGA/60Hz gestellt. (**Plug and Play kompatible Kabel müssen DDC unterstützen).

Falls "Auto Resolution" nicht benutzt werden kann, kann die Auflösung im On-Screen Menü des Visualizers manuell auf den gewünschten Wert gestellt werden (siehe Seite 19).

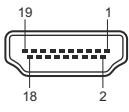
Um die bestmögliche Bildqualität zu erreichen, muss das beim Visualizer gewählte Signalfomate mit der tatsächlichen Auflösung (native Resolution) Ihres Ausgabegerätes (z.B. LCD/DLP-Projektor oder Monitor) übereinstimmen.

Wichtig: Ausschlaggebend ist die tatsächliche Auflösung des Projektors oder Monitors, nicht die maximale Auflösung die dieser (im komprimierten Modus) darstellen kann. Die tatsächliche Auflösung ist die effektive Pixel-Anzahl des eingebauten LCD-Displays oder des DLP-Chips Ihres Projektors oder Monitors. Die meisten LCD- oder DLP-Projektoren können auch höhere Bildauflösungen, welche ihre tatsächliche Pixel-Anzahl überschreiten, darstellen - jedoch nur im komprimierten Modus mit weit schlechterer Bildqualität.

Stellen Sie den Visualizer nicht auf ein Signalfomate ein, das höher ist als die tatsächliche Auflösung Ihres Projektors oder Monitors! Beachten Sie hierzu die Hinweise in der Bedienungsanleitung des angeschlossenen Gerätes.

Bitte beachten Sie: sollte das Bild-Seitenverhältnis nicht der tatsächlichen (nativen) Auflösung des Visualizers oder Wiedergabegerätes entsprechen, so werden schwarze Balken oben/unten beziehungsweise links/rechts dargestellt. Manche Wiedergabegeräte bieten die Möglichkeit das Bild zu vergrößern um die schwarzen Balken zu minimieren. Beachten Sie hierzu die Hinweise in der Bedienungsanleitung des angeschlossenen Gerätes.

HDMI Anschluss (#18)

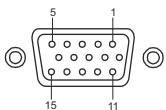


19-Pol HDMI
Buchse am Gerät
(Ansicht von vorne)

1 - T.M.D.S. Data2+	8 - T.M.D.S. Data0 Shield	15 - SCL (I ² C Serial Data Line for DDC)
2 - T.M.D.S. Data2 Shield	9 - T.M.D.S. Data0-	16 - SDA (I ² C Data Line for DDC)
3 - T.M.D.S. Data2-	10 - T.M.D.S. Clock+	17 - DDC Ground
4 - T.M.D.S. Data1+	11 - T.M.D.S. Clock Shield	18 - DC+5V (max. 50mA)
5 - T.M.D.S. Data1 Shield	12 - T.M.D.S. Clock	19 - Hot Plug detect
6 - T.M.D.S. Data1-	13 - Reserved	
7 - T.M.D.S. Data0+	14 - ARC (Audio Return)	

CEC (Consumer Electronic Control), ARC (Audio Return Channel) und HEC (HDMI Ethernet Channel) werden nicht unterstützt. DC+5V stehen im Vollbetrieb zur Verfügung.

RGB Anschluss (#19)

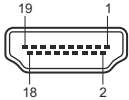


15-Pol D-Sub HD
Buchse am Gerät
(Ansicht von vorne)

1 - Analog Red video	6 - Red return	11 - N/C Not connected
2 - Analog Green video	7 - Green return	12 - SDA I ² C data
3 - Analog Blue video	8 - Blue return	13 - HSync Horizontal sync
4 - N/C Not connected	9 - DC+5V max. 50mA)	14 - VSync Vertical sync
5 - GND Ground	10 - GND (VSync, DDC)	15 - SCL I ² C clock

DC+5V stehen im Vollbetrieb zur Verfügung.

HDMI IN - externer Eingang (#19 und #20)



19-Pol HDMI
Buchse am Gerät
(Ansicht von vorne)

1 - T.M.D.S. Data2+	8 - T.M.D.S. Data0 Shield	15 - SCL (I ² C Serial Data Line for DDC)
2 - T.M.D.S. Data2 Shield	9 - T.M.D.S. Data0-	16 - SDA (I ² C Data Line for DDC)
3 - T.M.D.S. Data2-	10 - T.M.D.S. Clock+	17 - DDC Ground
4 - T.M.D.S. Data1+	11 - T.M.D.S. Clock Shield	18 - DC+5V (max. 50mA)
5 - T.M.D.S. Data1 Shield	12 - T.M.D.S. Clock	19 - Hot Plug detect
6 - T.M.D.S. Data1-	13 - Reserved	
7 - T.M.D.S. Data0+	14 - ARC (Audio Return)	

CEC (*Consumer Electronic Control*), ARC (*Audio Return Channel*) und HEC (*HDMI Ethernet Channel*) werden nicht unterstützt.

Wenn ein Computer am **Externen HDMI IN 1/2 Eingang (#19 und #20)** des Visualizers angeschlossen ist, kann mit der **EXT 1/2 Taste (#39)** auf das Bild der externen Quelle umgeschaltet werden. Zur Darstellung des Livebildes drücken Sie die **LIVE Taste (#33)** auf der Fernbedienung. (Die **EXTERN Taste (#60)** am Kamerakopf wechselt zwischen Livebild und externem Signal.)

Der Visualizer hat einen eingebauten D/A-Wandler, um das digitale HDMI Signal in ein analoges RGB Signal zu wandeln und am HDMI (inklusive StereoAudio) und RGB Ausgang auszugeben.

Unterstützte Auflösungen: diverse Auflösungen im Bereich von VGA (640x480@60Hz) bis WUXGA (1920x1200@60Hz) mit diversen Auflösungen und Vertikalfrequenzen in diesem Bereich. In Abhängigkeit der Eingangsauflösung sind schwarze Balken möglich.

Folgende Daten werden bereitgestellt:

- Plug & Play Monitor VESA DDC
- Monitor Name: "WolfVision"
- Videoeingangsdefinition: digitales Signal
- Vertikalfrequenz Limit: 50Hz - 60Hz
- Horizontalfrequenz Limit: 20kHz - 75kHz
- Maximaler Pixel Clock: 170MHz
- Gamma: 2.2
- Bevorzugte Auflösung: 1080p (1920x1080) @60Hz

HDMI Verschlüsselung - HDCP

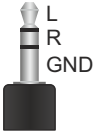
Die Verschlüsselung HDCP (High-bandwidth Digital Content Protection) wird nicht unterstützt. Verschlüsselte Signale am HDMI IN werden vom Visualizer als schwarzes Bild ausgegeben.

Die proprietäre HDCP-Verschlüsselungsmethode wird unter anderem für Hi-Definition Hollywood Filme und Pay-per-View Übertragungen verwendet. Durch HDCP erfolgt keine Beeinflussung von unverschlüsselten Signalen. Das Umgehen der Sicherheitssysteme ist nicht erlaubt. Copyrightinhaber ist Digital Millennium Copyright Act (DMCA).

eingebautes Audio Mikrofon (#15)

Das eingebaute Mikrofon kann wie eine externe Audioquelle benutzt werden, um dem Publikum Sprachkommentare zu übermitteln. Die Lautstärke kann in 10%-Schritten verringert werden (beeinflusst auch den HDMI-Ausgang).

Audio Line In und Line Out (#22 und #23)



Der Visualizer unterstützt verschiedene Audio-Quellen. Im On-Screen Menü unter Erweiterte Einstellungen / Audio Einstellungen können die gewünschten Einstellungen vorgenommen werden.
 Line In: max. 1V_{RMS} @ 10kOhm (Stereo, unsymmetrisch)
 Line Out: max. 1V_{RMS} @ 10kOhm (Stereo, unsymmetrisch; max. Übertragungsrate 1:1)
 Die Lautstärke kann in 10%-Schritten verringert werden (beeinflusst auch den HDMI-Ausgang).

Tip:

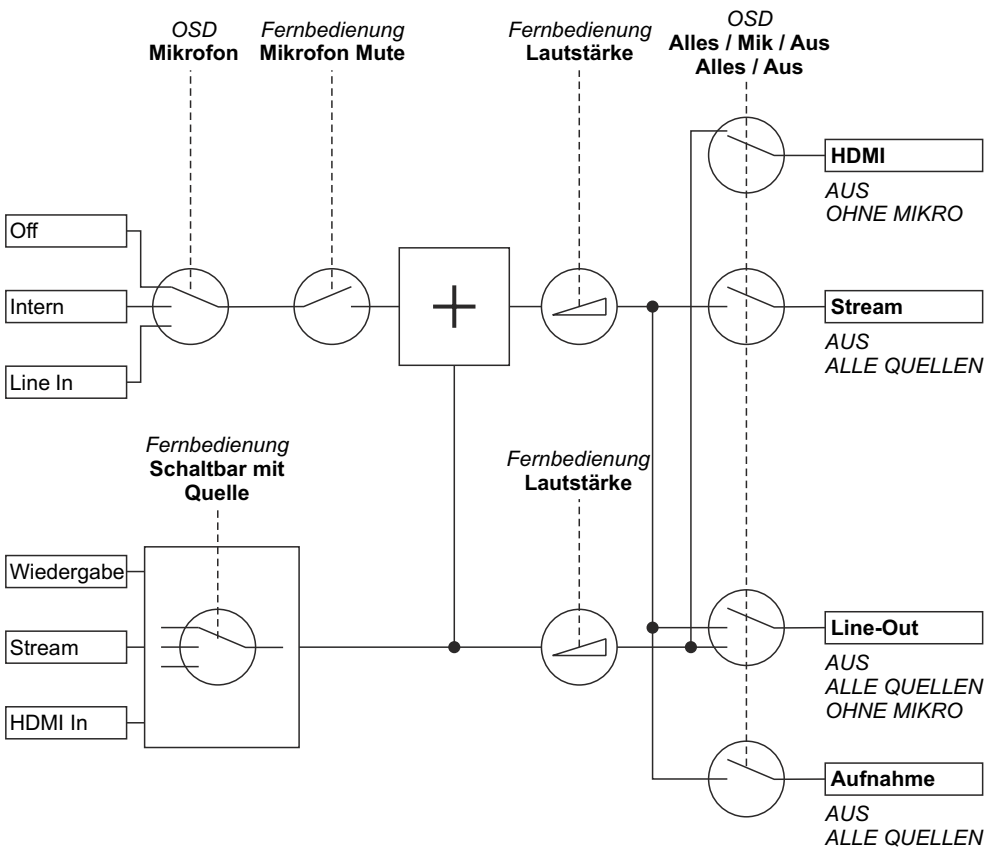
Bei manchen Mikrofonensystemen wird ein Vorverstärker benötigt.

Bei Auftreten von Brummgeräuschen, verursacht durch Masseschleifen, liegt die Ursache meist an der Installation. Kann die Ursache nicht gefunden werden, sollte ein Massetrennfilter bei beiden Audio-Leitungen hinzugefügt werden (LineIn und LineOut).

Übertragungsbereich: 20Hz~20kHz bei +/-3dB / 300Hz~10kHz bei +/-1dB
 Übertragungsrate: 1:1

Audio Konzept

Das Audio Konzept zeigt das Verhalten der EYE-14 mit verschiedenen Einstellungen im On-Screen Menü.



USB Anschluss für Speichermedium (Host) (#29)

Der USB Anschluss kann zur Speichererweiterung für Bilder und Videos benutzt werden (*siehe Seiten 14 und 15*). Zusätzlich können die Menü Einstellungen gespeichert und Firmwareupdates durchgeführt werden.

Hinweis: max. Stromverbrauch beträgt 500mA.

Speichern der Visualizer-Einstellungen auf einem USB-Stick

Der Visualizer bietet die Möglichkeit aktuelle Menü- inklusive Preseteinstellungen auf einem USB-Stick als XML-Datei abzuspeichern. Ändern Sie die gewünschten Einstellungen und speichern Sie diese auf dem USB-Stick (im On-Screen Menü, Erweiterte Einstellungen / USB Stick). Wird ein USB-Stick mit einer geeigneten XML-Datei angesteckt, erscheint eine entsprechende Pop-Up Meldung auf dem Bildschirm.

Das Verhalten des Visualizers kann im On-Screen Menü geändert werden (siehe Seite 18).

Sobald der USB-Stick wieder entfernt wird, werden die vorherigen Einstellungen wieder hergestellt.

USB Anschluss zum Computer (Client) (#26)

Der USB Computeranschluss kann für direkte Verbindungen zwischen dem Visualizer und einem Computer verwendet werden.

PTP Funktionalität (Picture Transfer Protocol, Version 1.0)

Mithilfe der PTP Funktionalität kann mit einem Datei-Explorer direkt auf den eingebauten Speicher des Visualizers zugegriffen werden. Es wird kein zusätzlicher Treiber benötigt (abhängig vom benutzten Computer-Betriebssystem).

UVC Treiber (Universal Video Class, Version 1.0)

Der Visualizer ist UVC (Universal Video Class) kompatibel und kann als Webcam verwendet werden. Es wird kein zusätzlicher Treiber benötigt (abhängig vom benutzten Computer-Betriebssystem).

Video Capture Treiber (eigenständig und Teil von vSolution Link)

Der Treiber ist WIA (Windows Image Acquisition) kompatibel und kann mit Grafikanwendungen wie z.B. Adobe Photoshop® und Interaktiven Whiteboards verwendet werden.

Bitte downloaden Sie die aktuellste Version des Video Capture Treibers von: www.wolfvision.com (Support)

vSolution Link by WolfVision

Mit der Software vSolution Link kann der Visualizer gesteuert und als Scanner für 3-dimensionale Objekte verwendet werden. Bilder im JPG-, TIFF- oder BMP-Format können in Bruchteilen einer Sekunde aufgenommen werden. Zudem können Videos aufgezeichnet und der Visualizer administriert werden.

Gespeicherte Bilder beinhalten EXIF Daten (nur mit Bildformat JPG oder TIFF). Verfügbare Daten:

Hersteller = WolfVision

Visualizer Modell (inklusive Seriennummer) = z.B. VZ-9.4L (01041472)

Firmware Version = z.B. V1.37b

Datum und Zeit der Erstellung = z.B. 2015-09-01 11:06:29 (yyyy-mm-dd hh:mm:ss)

Bitte downloaden Sie die aktuellste Version der vSolution Link von: www.wolfvision.com (Support).

Ethernet / LAN Anschluss (#28)

10BASE-T/100Base-TX

Der LAN Anschluss ermöglicht die Integration des Visualizers in ein internes Computernetzwerk. Für die Kommunikation über das Internet wird eine offizielle (WAN) IP-Adresse benötigt.

Administratoren einer größeren Anzahl von Visualizern schätzen besonders die Möglichkeit, über den LAN-Anschluss alle Visualizer in ihrem Netzwerk von einem Desktop PC in ihrem Büro aus zu warten. Die Liste der Anwendungsmöglichkeiten des LAN-Anschlusses wächst ständig: Steuerung, Übertragung /Speicherung von Standbildern und Video Streams, Firmware Updates, Menü Einstellungen, Wartung etc. (manche Funktionen werden nur mittels vSolution Link unterstützt).

Folgende Protokolle werden unterstützt: TCP/IP, IGMP, UDP und ARP.

Unterstützte (getestete) Browser: Windows Internet Explorer, Firefox, Chrome und Safari.

Standardmäßig ist DHCP aktiviert um die Netzwerkeinstellungen automatisch zu beziehen.

Mögliche maximale Auflösung bis zu FullHD (1080p) mit WolfVision's vSolution Link und HD (720p) bei Benutzung eines Browsers.

Power over Ethernet plus (PoE+)

Der LAN Anschluss (#28) des Visualizers verfügt über Power over Ethernet (PoE+) Funktionalität. Power over Ethernet ist eine populäre Methode, um Kabel- und Installationskosten zu sparen. Dieser Visualizer ist kompatibel mit PoE+ Power Injectors und PoE+ Switches gemäß Industriestandard IEEE 802.3at -2009.

Der benutzte PoE+ Adapter muss dem Industriestandard IEEE 802.3at -2009 entsprechen. Adapter nach anderem Standard sind möglicherweise nicht kompatibel und können den Visualizer zerstören! Dieser Visualizer entspricht der Leistungsklasse 4 (Klassifizierung 12,95 bis 25,50W).

Weitere Informationen über PoE+ Adapter unter: www.wolfvision.com (*Produkte / Zubehör*)

Raumsteuerungssysteme

Der LAN Anschluss (#28) und USB Anschluss (#26) kann zur Steuerung des Visualizers über externe Systeme, wie Raumsteuerungssysteme von Konferenzräumen, benutzt werden.

Das komplette Protokoll finden Sie auf der WolfVision Homepage unter: www.wolfvision.com (*Support*)

Verbinden des Visualizers mit einem Netzwerk

Detaillierte Informationen in der separaten Beschreibung "How To Connect the Visualizer to a Network".

Kabelgebundene Verbindung

Bei Verbindung mit einem Netzwerk mit DHCP-Server bezieht der Visualizer alle Einstellungen wie IP-Adresse automatisch.

Sollte kein DHCP-Server verfügbar sein, so müssen die Einstellungen wie IP-Adresse, Subnet Mask, Gateway und Name-Server manuell auf gültige Einträge gesetzt werden.

Kabellose Verbindung - Visualizer agiert als Access Point

Der Visualizer kann als Accesspoint eingesetzt werden, um eine direkte Verbindung mit Notebooks, Smartphones und Tablets aufzubauen.

Den Visualizer vom Stromnetz trennen und den optionalen WLAN USB-Dongle am Visualizer (#24) anschließen. Den Visualizer wieder am Stromnetz anschließen, einschalten und im On-Screen Menü unter Erweiterte Einstellungen / Netzwerk Einstellungen / WLAN Einstellungen auf „ACCESSPOINT“ stellen.

Wählen Sie die gewünschten Einstellungen wie: Kanal, SSID, IP-Adresse und Verschlüsselung.

Wählen Sie „Aktivieren“ und verbinden Sie die gewünschten Geräte.

Hinweis: Visualizer immer vom Stromnetz trennen bevor der WLAN USB-Dongle an-/abgesteckt wird.

Kabellose Verbindung - Visualizer agiert als Client (Infrastructure)

Der Visualizer kann auch in ein bestehendes WiFi Netzwerk integriert werden (Infrastructure).

Den Visualizer vom Stromnetz trennen und den optionalen WLAN USB-Dongle am Visualizer (#24) anschließen. Den Visualizer wieder am Stromnetz anschließen, einschalten und im On-Screen Menü unter Erweiterte Einstellungen / Netzwerk Einstellungen / WLAN Einstellungen auf „INFRASTRUKTUR“ stellen.

Wählen Sie die gewünschten Einstellungen wie: SSID, IP-Adressen (DHCP oder manuell) und Verschlüsselung. Wählen Sie „Verbinden“, um eine Verbindung zum bestehenden Infrastruktur-Netzwerk aufzubauen.

Hinweis: Visualizer immer vom Stromnetz trennen bevor der WLAN USB-Dongle an-/abgesteckt wird.

Sicherheit

Die Netzwerkfunktionen können eingeschränkt und mit einem Passwort geschützt werden.

Im On-Screen Menü unter Erweiterte Einstellungen / Netzwerkeinstellungen / Zugriffsrechte kann nach Eingabe des gültigen Admin Passwortes die Funktionalität limitiert werden. Zudem kann dann auch das Admin Passwort geändert werden.

Notieren Sie das geänderte Passwort! Nur WolfVision kann ein vergessenes Passwort zurücksetzen!

Das Standard Passwort lautet „Password“ für Admin und Gast.

FTP Client

Der Visualizer kann als FTP-Client agieren zum Teilen (share) von Videos.

Netzwerkverbindung (LAN oder WLAN) herstellen und im On-Screen Menü unter Erweiterte Einstellungen / Netzwerkeinstellungen / FTP Einstellungen die erforderlichen Einstellungen wie IP Adresse des Servers, Benutzername und Passwort. Die Einstellung „Intervall“ definiert die Zeitabstände der automatischen Übertragung des aktuellen Bildinhaltes auf den FTP Server.

Die Einstellung „Übertragung“ erlaubt die Übertragung von Videos auf den FTP Server und die automatische Löschung von lokal gespeicherten Videos nach erfolgter Übertragung.

WARTUNG

Reinigung

WICHTIG

- Gehäuse:** Staub und Schmutz mit einem weichen Tuch abwischen.
Linse: Staub und Schmutz mit einem weichen, fusselfreien Tuch abwischen (keine Papiertücher!). Normalerweise reicht eine Trockenreinigung (gegebenenfalls zusammen mit Anhauchen oder mit einem speziellen Optikreiniger).

ACHTUNG:

**Keine scharfen Reinigungsmittel wie Aceton, Benzin oder Ähnliches verwenden!
Diese Substanzen können die (Anti-Reflex-) Beschichtung beschädigen!**

Firmware Updates

Die Firmware (Geräte-Software) Ihres Visualizers (inklusive On-Screen Hilfe-Texte) kann einfach auf die aktuellste Version aktualisiert werden (über USB, LAN, USB-Stick).

Firmwareupdates können gratis unter www.wolfvision.com (*Support*) herunter geladen werden.

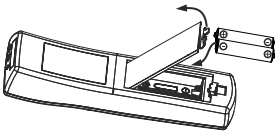
Für ein Update über USB / LAN benötigen Sie die Software vSolution Link by WolfVision.

Updates via USB-Stick erfordern die Firmwaredatei im Verzeichnis *Laufwerksbuchstabe:\WOLFVISION* (Standardverzeichnis kann im On-Screen Menü, Erweiterte Einstellungen / USB Stick, geändert werden). Alternativ kann die Firmware auch im On-Screen Menü (Erweiterte Einstellungen / Geräte Info) aktualisiert werden - Internetverbindung und zugewiesene Name Server IP-Adresse vorausgesetzt.

Wählen Sie die Zeile „Prüfe FW“ und der Visualizer prüft den WolfVision Server auf neuere Firmwaredateien. Folgen Sie den Anweisungen am Bildschirm um den Updateprozess zu starten.

Infrarot Fernbedienung

Bitte beachten Sie, dass eine IR-Fernbedienung nur bis zu einer gewissen Distanz zum Gerät einsetzbar ist. Gegenstände, welche die Sichtverbindung zwischen Fernbedienung und Visualizer behindern, sowie schwache Batterien beeinträchtigen die Steuerung.



Wenn der Visualizer nur noch aus nächster Nähe zu steuern ist, müssen meist nur die Batterien ersetzt werden.

Lässt sich der Visualizer überhaupt nicht mehr mit der Fernbedienung steuern, prüfen Sie den IR-Code (*siehe Seite 7*) und die Batterien.

Öffnen Sie per Hand die Abdeckung auf der Rückseite und ersetzen Sie beide 1,5V AAA (Code LR03) Batterien durch Neue desselben Typs.

Auf richtige Polung der Batterien achten!

VORSICHT

Explosionsgefahr wenn die Batterien durch einen falschen Typ ersetzt werden.

Verbrauchte Batterien gemäß Anweisung entsorgen. Batterien der Wiederverwertung zuführen!

Verschiedene IR-Codes

Wenn Sie mit mehreren Visualizern im selben Raum arbeiten möchten, dann sollten die Geräte auf unterschiedliche IR-Codes gestellt werden, um die Geräte einzeln ansteuern zu können.

Der IR-Code des Gerätes muss mit dem der Fernbedienung übereinstimmen.

Ändern Sie im On-Screen Menü "Erweiterte Einstellungen / Diverse Einstellungen", den IR-Code auf die gewünschte Einstellung (Code A ist Standard).

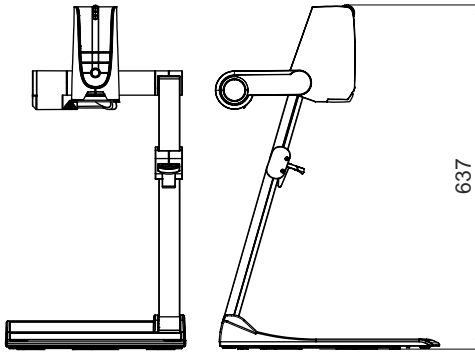
Ändern Sie auch den Code der Fernbedienung durch gleichzeitiges Drücken der Tasten **PRESET 1**, **PRESET 2 (#38)** und **ZOOM TELE (#45)** um den Code von A nach B, C, D ... A usw. zu schalten.

Um die Fernbedienung auf Code A zurückzusetzen, drücken Sie die Tasten **PRESET 1**, **PRESET 2 (#38)** und **ZOOM WIDE (#45)** gleichzeitig.

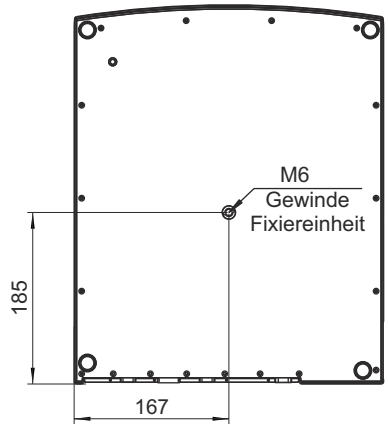
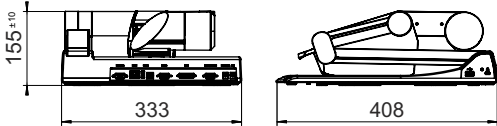
Die Laserpointer LED zeigt den gewählten Code durch mehrmaliges Blinken (einmal blinken für Code A, zweimal blinken für Code B, dreimal für Code C und viermal für Code D).

Abmessungen

Arbeitsposition:



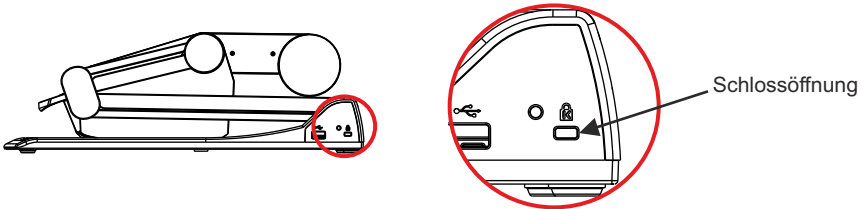
gefaltet:



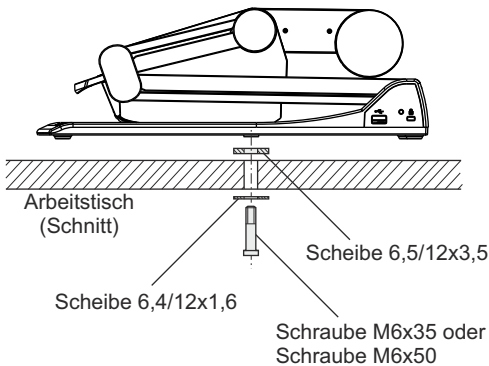
Technische Änderungen vorbehalten!

Diebstahlschutz 1: T-Lock

Der Visualizer kann mit einem Kabel T-Lock (Kensington® Lock) vor Diebstahl geschützt werden. Folgen Sie den Anweisungen des Schloss-Herstellers.



Diebstahlschutz 2: Tisch Fixiereinheit



Der Visualizer kann mit der mitgelieferten Tisch-Fixiereinheit an einem Tisch festgeschraubt werden zur Minimierung des Diebstahlrisikos. *Beachten Sie, dass die nutzbare Gewindetiefe 8mm beträgt - Schraube nicht weiter eindrehen!*

Mitgeliefertes Zubehör (Artikelnummer):

1x Scheibe 6,5/12x3,5	(109946)
1x Scheibe 6,4/12x1,6	(101691)
1x Schraube M6x35	(101689)
1x Schraube M6x50	(101690)
1x Montageanleitung VZ-9.4	(102340)

Technische Daten

Kamera / Technologie (Signal Format)	1-CCD 1/3" Progressive Scan
Bilder pro Sekunde (Kameraaufnahme)	30 Bilder pro Sekunde
Native (effektive) Pixel des Kamerasensors)	1280 x 960 (=1.228.800), Verhältnis 4:3
Native (effektive) Pixel in der Bildbearbeitung	1280 x 960 (=1.228.800), Verhältnis 4:3
Verarbeitete Pixel pro Sekunde (=effektive Pixel x Bilder pro Sekunde)	36.864.000, Verhältnis 4:3
Farbwiedergabe / Farbpräzision	sehr gute Farben / sRGB Farbpräzision
Ausgangssignal 4:3 und 5:4	SVGA (800x600), XGA (1024x768), SXGA (1280x1024), UXGA (1600x1200)
Ausgangssignal 16:9 und 16:10	720p HD (1280x720), WXGA (1280x800), 1080p HD (1920x1080), WUXGA (1920x1200)
WolfVision Bildbearbeitungsprozessor "YSOP1"	ja
Auflösung (gemessen)	860 Linien
Vertikale Bildfrequenz (abhängig von gewählter Ausgangsauf Auflösung)	Progressive Scan: 30Hz und 60Hz (schaltbar)
Helligkeitssteuerung / Exposure	automatisch und manuell
Weißabgleich	automatisch und manuell
Autofokus (Geschwindigkeit) / Manuell	ja (ständig arbeitend, sehr hohe Geschwindigkeit) / ja
Synchronisierte Laser Markierung	ja (in Größe des Kameraaufnahmegebietes) / Verhältnis 16:9
Image Flip (automatische Bildumkehr)	ja (für Aufnahmen vor den Gerät)
On-Screen Menü und On-Screen Hilfe	yes
Firmware Updates	ja, via USB, Ethernet/LAN und USB-Stick
Objektiv / Zoom	64x zoom (16x optisch + 4x digital), Zoomrad mit individueller Geschwindigkeit
Linien	Weitwinkel, f= 5,4 - 65mm
Max. Objekthöhe auf der Arbeitsfläche	230mm in Tele Position, 370mm in Wide Position
Max. Abtastbereich auf der Arbeitsfläche	400mm x 300mm (4:3 Ausgangsmodus)
Min. Abtastbereich auf der Arbeitsfläche	25mm x 19mm (4:3 Ausgangsmodus)
Min. Abtastbereich auf der Arbeitsfläche mit Digitalzoom	6mm x 4mm (4:3 Ausgangsmodus)
Tiefenschärfe kleiner Objekte (42 x 33 mm)	7mm
Tiefenschärfe großer Objekte (360 x 270 mm)	200mm
Aufnahmen außerhalb der Arbeitsfläche	ja
Blenden von Publikum oder Vortragenden	nein
Lichtquelle	Wartungsfreies Hochleistung LED System (Lampenlebensdauer: 30.000 Std)
Software (USB und LAN) Steuerung, Bild- und Videospeicherung und Firmware Updates	vSolution Link by WolfVision, inkludiert (für 32- und 64-bit Windows und Macintosh)
Reflexionsfreier Bereich auf der Arbeitsfläche	gesamte Arbeitsfläche
Anwender programmierbare Presets	3
Spezielle Arbeitsfläche für Overheadfolien	ja
Dia-Aufnahme / Unterlicht	eingebautes Dia-Leuchtfeld / optionale externe Lichtbox LB-9 und LB-38
Bildspeicher	interner Speicher 8GB micro SD + unlimitiert über USB-Stick
Bildmischer mit Überblendung	ja
Digital Scaler (eingebaut)	ja
Alternative Bildanzeige	Negativ Bild / Negativ-Blau Bild / Schwarz/Weiß Bild
HDMI Ausgang / DVI und DisplayPort Ausgang	ja, inklusiver Audio / ja, mit optionalem Adapter
RGB (=Daten RGB) Ausgang	ja
Externer Eingang für Computer / umschaltbar Audio	2x HDMI inklusive Audio (DVI oder DisplayPort mit optionalem Adapter) HDMI, eingebautes Mikrofon, Line In und Line Out (max. 1V _{RMS} @10kOhm)
USB Standard / Anschluss	1x USB 2.0 Device (inkl. PTP und UVC) und 3x USB 2.0 Host
Ethernet (LAN) Anschluss	ja, IP-adressierbar, 10/100 Mbps
WLAN (WiFi)	optionaler n-draft USB-Dongle (Dualband 2,4GHz und 5GHz)
LAN Web Oberfläche (Web-Interface)	ja (IP-adressiert)
Streaming	MJPEG, RTP MJPG, H2.64 (Unicast und Multicast)
Erweiterte Steuerung mit prof. Protokoll	USB und LAN (WLAN)
Vorschaumonitor (LCD)	ja, 93mm x 53mm
Intelligentes Faltsystem	ja
Abmessungen in Arbeitsposition (L x B x H)	408mm x 333mm x 637mm
Abmessungen in gefaltet (L x B x H)	408mm x 333mm x 155mm
Gewicht	5,9kg
Infrarot Fernbedienung	ja (mit Laserpointer)
Eingangsspannung (externes Netzteil)	Multirange 100 - 240 VAC (36W LPS), Gewicht 0,3kg
Leistungsaufnahme	max. 25,5W (inkl. USB Erweiterung)
Betriebstemperatur / relative Luftfeuchtigkeit	0°C - 40°C (32°F - 104°F) / 40 - 60%rel
Diebstahlschutz	ja, T-Lock (Kensington Lock®) und Tisch-Fixiereinheit
Garantie	5 Jahre
Hergestellt in	Austria (Europäische Union)

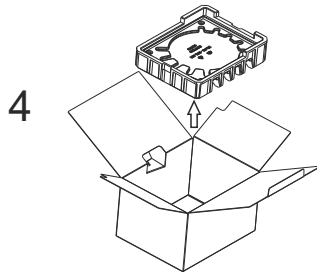
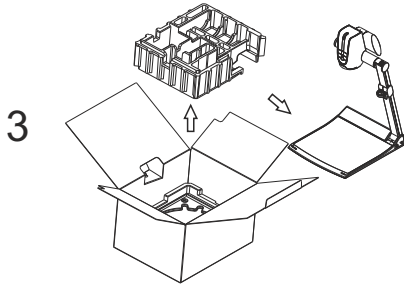
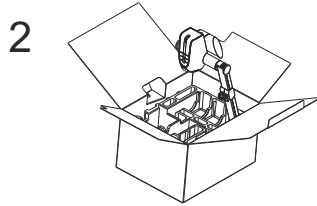
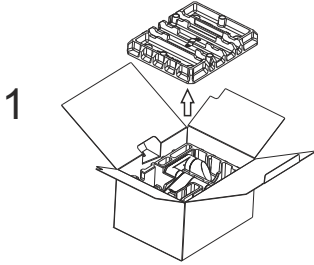
Bitte beachten: Aufgrund von laufenden technischen Verbesserungen können sich die technischen Daten ändern!

Verpackung / Transport

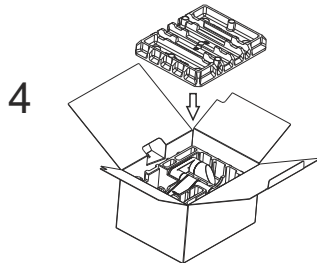
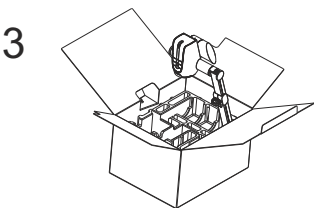
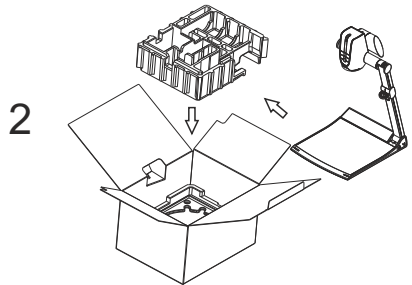
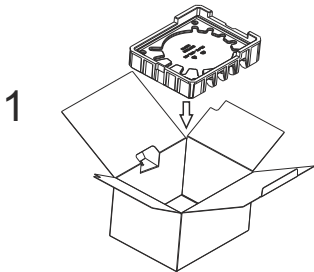
WICHTIG

Bitte vergewissern Sie sich vor dem Transport des Visualizers, dass dieser wie unten abgebildet verpackt wurde. Dies ist sehr wichtig um eine Beschädigung empfindlicher Teile durch den Transport zu verhindern.

Auspacken



Verpacken



CODES - Tastenkombinationen

am Gerät (Basis und Kamerakopf)

One Push Weißabgleich:

Drücken Sie die **LIGHT** Taste (#16) für 2 Sekunden, um einen One-Push-Weißabgleich durchzuführen.

Aktivieren des On-Screen Menüs:

Drücken Sie die **MENU** Taste (#60) (**EXTERN** Taste) am Kamerakopf für 2 Sekunden, um das On-Screen Menü zu aktivieren. Verwenden Sie die **FOCUS** Tasten (#58) zum Navigieren und die **FREEZE** Taste (#56) und **PRESET** Taste (#57) zum Auswählen. Für die Hilfefunktion drücken Sie die ? **HILFE** Taste (#59).

Um nur den gewählten Menüpunkt zurückzusetzen, drücken Sie die ? **HILFE** Taste (#59) für 2 Sekunden.

Aktivieren des On-Screen Extra Menüs:

Halten Sie die **MENU** Taste (#60) gedrückt bis das Extra Menü dargestellt wird..

Zurücksetzen des Ausgangsmodus auf "XGA bei 60Hz":

Drücken Sie beide **FOCUS** Tasten (#58) am Kamerakopf gleichzeitig und halten diese gedrückt bis die Auflösung umschaltet.

Preset 1 speichern:

Drücken Sie die **PRESET** Taste (#57) für 2 Sekunden.

Aufrufen des Preset 1:

Drücken Sie die **PRESET** Taste (#57) am Kamerakopf kurz.

IR-Fernbedienung

Preset speichern:

Drücken Sie die gewünschte **PRESET** Taste (#38) für 2 Sekunden.

Aufrufen von Presets:

Drücken Sie die gewünschte **PRESET** Taste (#38) kurz.

Aktivieren des On-Screen Menüs:

Drücken Sie die **MENU** Taste (#54), um das On-Screen Menü zu aktivieren. Benutzen Sie die **Navigation** Tasten (#32 und #53) zum Navigieren und die **OK** Taste (#33) zum Auswählen. Für die Hilfefunktion drücken Sie die ? **HILFE** Taste (#31).

Um nur einen Menüpunkt zurückzusetzen, wählen Sie im Menü den betreffenden Punkt und drücken dann die ? **HILFE** Taste (#31) der Fernbedienung für 2 Sekunden.

Aktivieren des On-Screen Extra Menüs:

Halten Sie die **MENU** Taste (#54) gedrückt bis das Extra Menü dargestellt wird..

Zurücksetzen des Ausgangsmodus auf "XGA bei 60Hz":

Drücken Sie beide **FOCUS** Tasten (#42) der Fernbedienung gleichzeitig und halten diese gedrückt bis die Auflösung umschaltet.

IR-Code ändern:

Ändern Sie im On-Screen Menü unter "Erweiterte Einstellungen / Diverse Einstellungen" den gewünschten Code (Code A ist Standard). Auf der Fernbedienung selbst ändern Sie den Code durch gleichzeitiges Drücken der Tasten **PRESET 1**, **PRESET 2** (#38) und der **ZOOM TELE** Taste (#45). Jedes Mal wenn diese Tastenkombination gedrückt wird, wechselt der Code von A zu B, C, D und A, usw.

Mit der Tastenkombination **PRESET 1**, **PRESET 2** und **ZOOM WIDE** wird die Fernbedienung wieder auf Code A zurückgesetzt.

Die LED auf der Fernbedienung zeigt den gewählten Code durch Blinken an (einmal Blinken für Code A, zweimal für Code B, dreimal für Code C und viermal für Code D).

CONTACTS

Manufacturer / Worldwide Distribution

WolfVision GmbH

A-6833 Klaus Tel: +43(5523)-52250, Fax: +43(5523)-52249
AUSTRIA E-Mail: wolfvision@wolfvision.com

International Distribution Offices

USA

WolfVision Inc.

Duluth Tel: +1(770)931-6802, Toll free: 877-873-WOLF, Fax: +1(770)931-6906
(Atlanta) E-Mail: sales@wolfvision.us / support@wolfvision.us
Burlingame Tel: +1(650)648-0002, Toll free: 800-356-WOLF
(San Francisco) E-Mail: sales@wolfvision.us / support@wolfvision.us

Asia

WolfVision Pte Ltd

Singapore Tel: +65-6636-1268, Fax: +65-6636-1269
E-mail: wolfvision.asia@wolfvision.net

Middle East

WolfVision Middle East

Dubai Tel: +971 (04) 354 2233, Fax: +971 (04) 354 2244
E-Mail: middle.east@wolfvision.net

Germany

WolfVision Germany

Tel: 0800 / 98 28 787 (Toll Free for Germany)
E-mail: wolfvision.deutschland@wolfvision.com

Japan

WolfVision Co. Ltd.

Tokyo Tel: +81(0)3-6233-9465, Fax: +81(0)3-6233-9466
E-mail: wolfvision.japan@wolfvision.com

Canada

WolfVision Canada, Inc.

Ottawa Tel: +1(613)741-9898, Toll free: 877-513-2002, Fax: +1(613)741-3747
E-Mail: wolfvision.canada@wolfvision.com

United Kingdom

WolfVision UK Ltd.

M Maidenhead Tel: +44 1628 509067, Fax: +44 1628 509100
E-Mail: wolfvision.uk@wolfvision.com

Internet Homepage: www.wolfvision.com
E-Mail to technical support: support@wolfvision.com