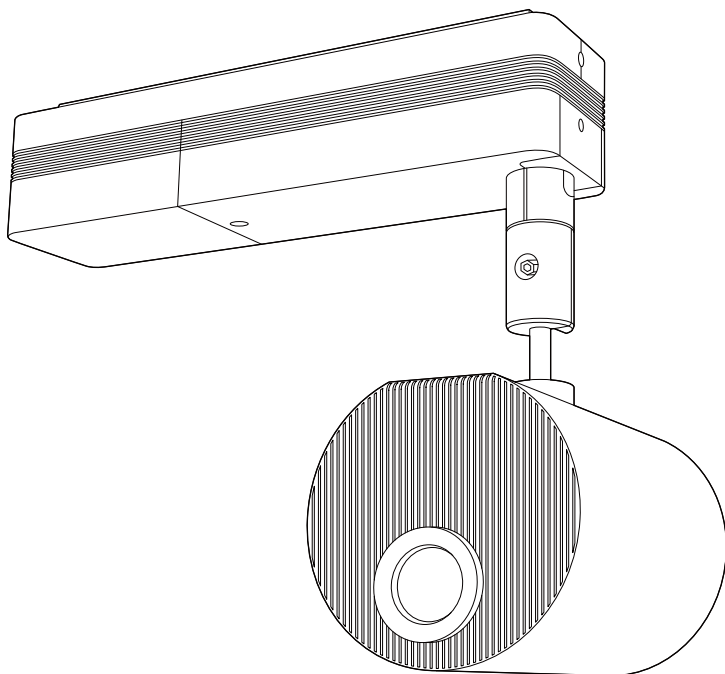


# EV-100 EV-105

## Installation Manual



# Safety Instructions

This guide explains how to suspend the EV-100/EV-105 from a ceiling or install it on a wall using the supplied Direct Mount.



Make sure you read this guide carefully to use the installation mounts and the projector safely. Incorrect handling that ignores instructions in this guide could damage this product or could result in personal injury or property damage. Keep this installation guide at hand for future reference.

Regarding how to handle the projector, read the *User's Guide* and *Safety Instructions* supplied with your projector and follow the instructions in these documents.




## Safety Indications

The documentation and this product use graphical symbols to show how to use this product safely and correctly to prevent injury to customers and others, and damage to property.





The indications and their meaning are as follows. Make sure you understand them properly before reading the guide.















Symbol	Explanation
 Warning	This symbol indicates information that, if ignored, could possibly result in personal injury or even death due to incorrect handling.
 Caution	This symbol indicates information that, if ignored, could possibly result in personal injury or physical damage due to incorrect handling.

## General Information Indications















Symbols	Explanation
	Symbol indicating an action that must not be done
	Symbol indicating an action that should be done
	Symbol indicating related or useful information

## Precautions on Installing the Projector

 Warning	
Installing the projector on a ceiling or a wall should only be performed by a professional with the necessary skills and know-how. If installation work is not carried out correctly, the mount or the projector could fall causing injury or accident to occur.	
Follow the instructions in this guide when performing installation work. If the instructions are not followed, the mount or the projector could fall causing injury or accident to occur.	
Installation should be performed by at least two people. Also, make sure you have a secure, stable footing so that you do not drop the mount or the projector.	

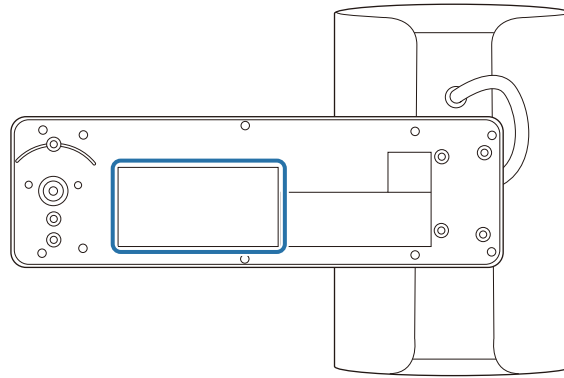
 Warning	
Make sure you attach the safety wire supplied with the projector to prevent the mount from falling due to earthquakes or vibrations.	
Do not attach anything to this mount except for a projector from EPSON. Otherwise, the mount may fall and could cause death or personal injury.	
When installing, make sure you install a breaker (with a rated current of 10 A or less) in a location within reach. If any problems occur during installation, turn off the internal wiring immediately.	
Note the following when handling the power cable. Otherwise, it could cause a fire or electric shock. <ul style="list-style-type: none"> <li>• Do not handle the plug with wet hands</li> <li>• Do not use a damaged or modified power cable</li> <li>• Do not apply excessive force to the power cable</li> <li>• Do not trap the cable between parts of the mount and so on during installation</li> </ul>	
When installing, do not pull or apply excessive force to the cable connected to the projector.	
Do not wind cables around the projector or the mount.	
When wiring cables and so on, route the cables so that it avoids the screws and bolts. If the cables come into contact with screws or bolts, it could cause a fire or electric shock to occur.	
Make sure you tighten the screws or bolts completely when installing. If they are not tightened completely, the mount or the projector could fall causing injury or accident to occur.	
Never loosen the screws or bolts after installation. Make sure that you check for any loose screws or bolts on a regular basis, and if any are loose, tighten them completely. If they are not tightened completely, the mount or the projector could fall causing injury or accident to occur.	
When securing the mount, do not use adhesives to prevent the screws from loosening, and do not use lubricants, oils, and so on. If you use adhesives to prevent the screws from loosening, or if you use things such as lubricants or oils, the mount or the projector case may crack causing an injury or an accident.	
Do not hang from the mount or the projector, and do not place heavy objects on them. Otherwise, the mount or the projector may fall and could cause death or injury.	
Do not apply excessive force to the projector or the mount when installing. Otherwise, the mount or the projector may be damaged and could cause death or injury.	
Do not install in the following situations. Contact your local dealer or Epson Service Call Center. <ul style="list-style-type: none"> <li>• If the product has been dropped or damaged before or during installation</li> <li>• If the mount is abnormal or damaged</li> </ul>	

**Warnings and Cautions on the Installation Locations**

 Warning	
<p>Do not attach this mount to the floor. This mount can only be installed on a ceiling or a wall.</p>	
<p>Check the structure and material of the surface to which the mount will be installed, and use the optimum installation method.</p>	
<p>Make sure the surface to which the mount will be installed is strong enough. The total maximum weight of the projector and Direct Mount is approximately 7.0 kg (approx. 5.1 kg for the projector/approx. 1.9 kg for the Direct Mount) (not including cables).</p>	
<p>Do not install the mount or projector in an unstable location where it might be subjected to vibrations or shocks. The surface to which the mount is attached may be damaged. Also, the mount or projector may fall and cause an injury or accident to occur.</p>	
<p>Do not install or use the projector in locations where it could be exposed to rain or water, such as outdoors, in baths or shower rooms. Otherwise, it could cause a fire or electric shock.</p>	
<p>Do not use the projector in a location subject to combustible or explosive gas. If the inside of the projector gets too hot, it could ignite and cause a fire.</p>	
<p>Do not cover the projector's air intake vent or air exhaust vent. If either of the vents are covered, the projector's internal temperature could rise and cause a fire.</p>	
 Caution	
<p>Do not install the projector in a location outside the projector's operating temperature range. Such an environment may damage the projector.</p>	
<p>Install it away from air outlets such as air conditioners. If the air from an air conditioner and so on flows directly over the projector, the temperature rises and the projector may not operate correctly.</p>	
<p>Install it away from fluorescent lights. Some kinds of fluorescent lights could interfere with the remote control of the projector.</p>	
<p>Install it in a location where strong light such as fluorescent light and direct sunlight does not shine on the remote receiver. If strong rays of light shine on the remote receiver, remote control operations may not be performed correctly.</p>	
<p>Make sure you install the projector in a location free from excessive dust and humidity to prevent the lens or internal components from becoming dirty.</p>	

**Display Position of Manufacturers Nameplate**

The product nameplate is displayed on the top of the projector as shown below. Before installing the mount to the projector, check the numbers on the product nameplate.



Rated Voltage	100-240 V
Rating Frequency	50/60 Hz
Rating Current	1.8-0.8 A

### Installation Orientation

Check the following points when installing on a wall or a ceiling that is inclined.

- Do not face the power inlet upward

Correct (power inlet facing down)	Incorrect (power inlet facing up)	

- Do not turn the power supply sideways

Incorrect (power supply facing sideways)	

## **Using the Product Safely**

---

<b>Safety Instructions</b> .....	<b>1</b>
Safety Indications .....	1
General Information Indications .....	1
Precautions on Installing the Projector .....	1
Warnings and Cautions on the Installation Locations .....	3
Display Position of Manufacturers Nameplate . . .	3
Installation Orientation .....	4

## **Preparing the Projector**

---

<b>Package Contents</b> .....	<b>6</b>
<b>Connectable Devices and Necessary Cables</b> .....	<b>7</b>
<b>Projection Distance Table</b> .....	<b>8</b>
16:10 projected image .....	9
4:3 projected image .....	10
16:9 projected image .....	11

## **Installation Procedure**

---

<b>Preparing the Projector</b> .....	<b>12</b>
<b>Attaching the Projector Mount to the Projector</b> .....	<b>13</b>
<b>Attaching the Ceiling Mount to a Ceiling or a Wall</b> .....	<b>15</b>
<b>Installing the Safety Wire</b> .....	<b>16</b>
<b>Combining the Projector Mount with the Ceiling Mount</b> .....	<b>17</b>
<b>Connecting Cables</b> .....	<b>18</b>
<b>Adjusting the Orientation of the Projector</b> .....	<b>19</b>
<b>Attaching the Covers</b> .....	<b>20</b>
Attaching the Power Adapter Cover .....	20
Attaching the Mount Cover .....	20

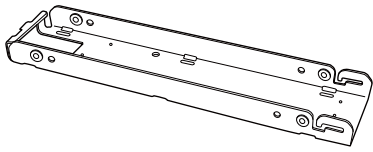
## **Appendix**

---

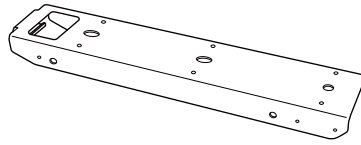
<b>Specification</b> .....	<b>21</b>
Appearance .....	21
Assembly Dimensions .....	22

## Package Contents

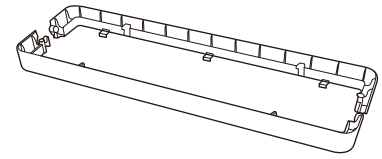
Check that you have all of the following accessories before you start work.



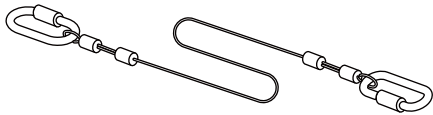
Projector mount (\*1)



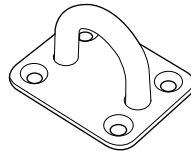
Ceiling mount (\*1)





Mount cover (\*2)



Safety wire  
(500 mm)



Wire hook mount

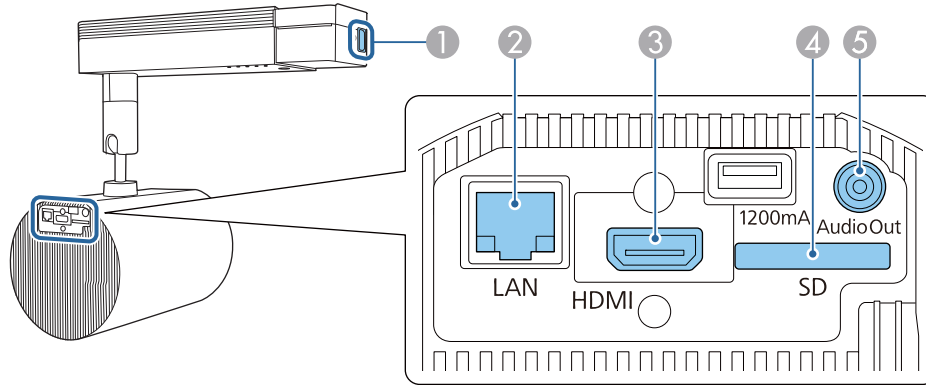
Shape	Name	Quantity	Application
	M4 x 12 mm cross recessed head screw (with washer)	4 (4)	Secures the projector mount to the projector.  Combines and secures a projector mount and a ceiling mount.  *1 The projector mount and the ceiling mount are combined and secured by these screws temporarily at the time of purchase. Unscrew them before installing.
	M3 x 6 mm cross recessed head screw	(2)	Secures the mount cover.  *2 The mount cover is secured by these screws temporarily at the time of purchase. Unscrew them before installing.

- Make sure you use the bolts or screws supplied with this product to install mounts.
- Gather the tools and parts you need before you begin installation.

## Connectable Devices and Necessary Cables

Be sure to prepare the power cable supplied.

Additionally, prepare the necessary cables according to the devices being used.

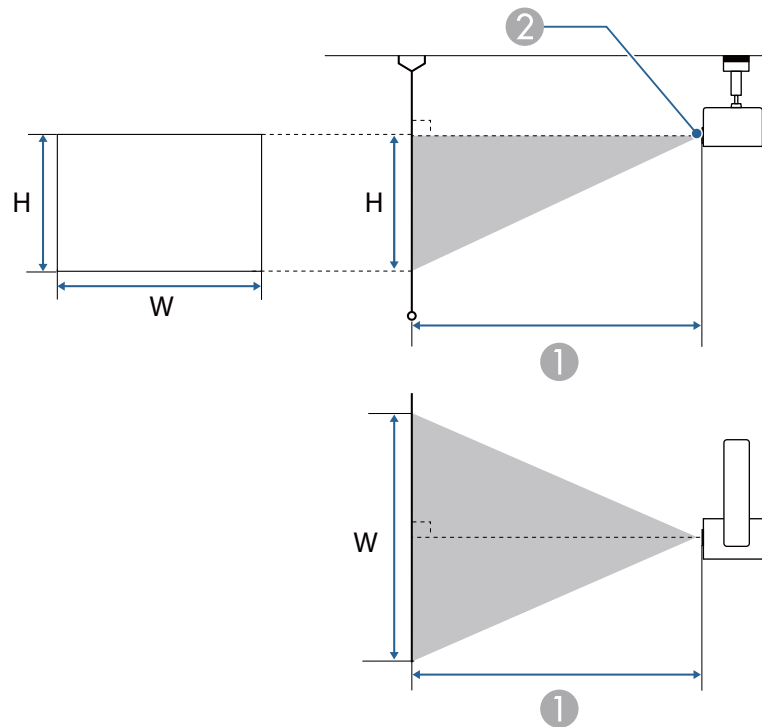


- 1 Connects the power cable to the projector.
- 2 Connects the projector to a network hub and so on using a LAN cable.
- 3 Connects the projector to a computer or video sources with an HDMI cable. Secure it with the cable clamp supplied to prevent the HDMI cable from disconnecting under its own weight.
- 4 Insert an SD card into this slot.
- 5 Connects to a speaker with an audio cable.



## Projection Distance Table

To find the appropriate projection distance, see the following figures when installing. The values are only rough estimates.



- ① : Projection Distance
- ② : Center of lens

16:10 projected image

[Unit: mm]

Projected image size		Projection Distance Minimum (Wide) to Maximum (Tele)
30"	640x400	880 - 1410
40"	860x540	1180 - 1890
50"	1080x670	1490 - 2370
60"	1290x810	1790 - 2850
80"	1720x1080	2390 - 3810
100"	2150x1350	3000 - 4760
120"	2580x1620	3600 - 5720
133"	2860x1790	4000 - 6340
150"	3230x2020	4510 - 7160



- The values are only rough estimates. The value may differ depending on the location where you place the projector.
- When projecting in Tele, the quality of the projected images may decrease.

## 4:3 projected image

[Unit: mm]

Projected image size		Projection Distance Minimum (Wide) to Maximum (Tele)
30"	610x460	1000 - 1600
40"	810x610	1340 - 2140
50"	1020x760	1690 - 2680
60"	1220x910	2030 - 3230
80"	1630x1220	2710 - 4310
100"	2030x1520	3400 - 5400
120"	2440x1830	4080 - 6480
133"	2700x2030	4530 - 7190
150"	3050x2290	5110 - 8110
200"	4060x3050	6820 - 10820



- The values are only rough estimates. The value may differ depending on the location where you place the projector.
- When projecting in Tele, the quality of the projected images may decrease.

## 16:9 projected image

[Unit: mm]

Projected image size		Projection Distance Minimum (Wide) to Maximum (Tele)
30"	660x370	910 - 1450
40"	890x500	1220 - 1940
50"	1110x620	1530 - 2430
60"	1330x750	1840 - 2930
80"	1770x1000	2460 - 3910
100"	2210x1250	3080 - 4900
133"	2940x1660	4110 - 6520
150"	3320x1870	4640 - 7360
200"	4430x2490	6190 - 9820
250"	5530x3110	7750 - 12280



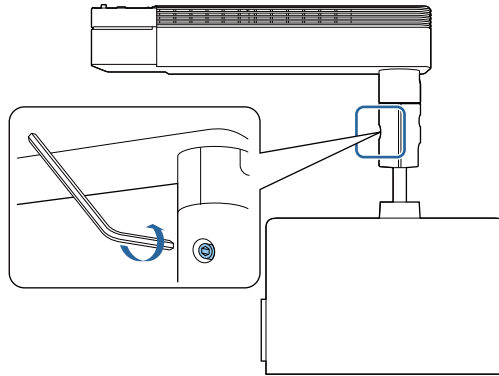
- The values are only rough estimates. The value may differ depending on the location where you place the projector.
- When projecting in Tele, the quality of the projected images may decrease.
- When projecting at an aspect ratio of 16: 9, the top edge of the projected image shifts from the center of the lens.

## Preparing the Projector

Adjust the orientation of the projector to make installing easier.

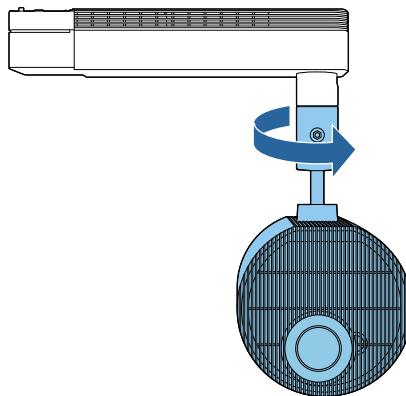
**1** Place the projector on a flat surface on a soft cloth.

**2** Loosen the screw for the ball joint with a hexagonal wrench supplied.



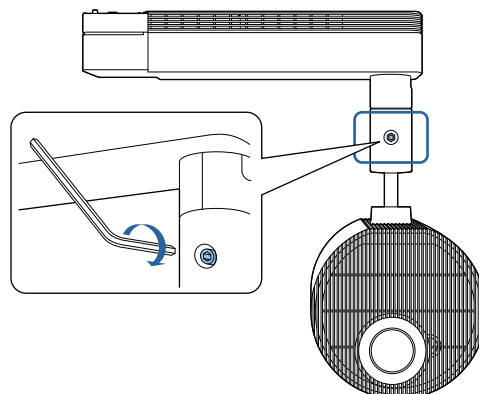
**3** Change the projector's orientation.

You can change the orientation of the projector as shown below.



**4** Tighten the screw for the ball joint with a hexagonal wrench to secure it in place.

Make sure you tighten the screw completely so that the ball joint does not move during installation.



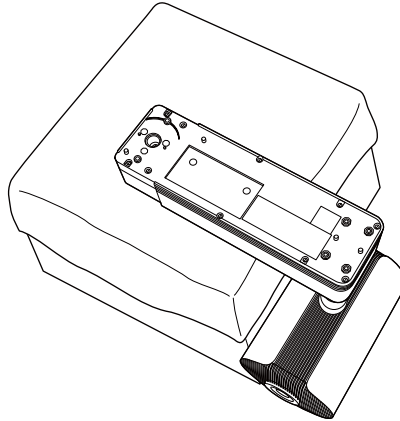


## Attaching the Projector Mount to the Projector

1

Place the projector on your workbench.

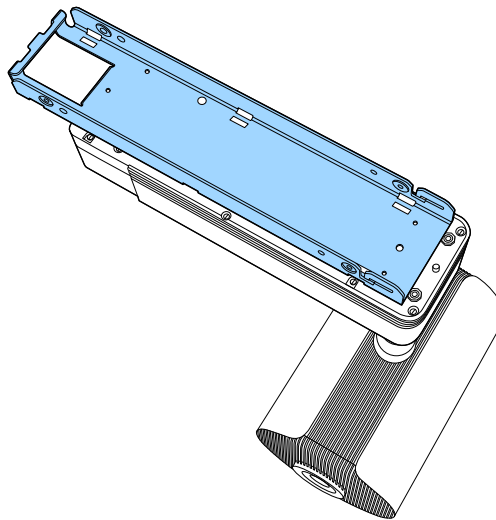
Place the projector on a soft cloth on a workbench (330 mm high).



2


Place the projector mount on the projector.

Align the screw holes on the projector's Direct Mount fixing points with the screw holes on the projector's mount.

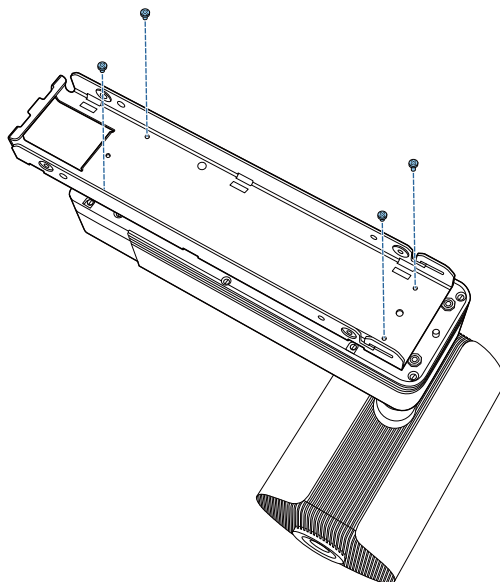


3

Secure the projector mount to the top of the projector using the M4 x 12 mm screws supplied (x4).

 **Caution**

Make sure you use the screws supplied.



## Attaching the Ceiling Mount to a Ceiling or a Wall

Check the position where you want to project the image, and determine the mounting position for the ceiling mount.

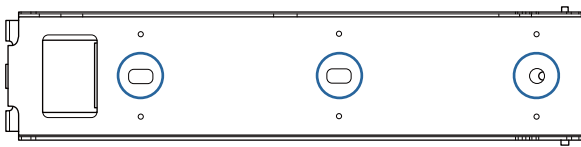
☛ "Projection Distance Table" [p.8](#)

Make sure you take into consideration the structure (strength and so on) of the ceiling or wall on which you will install the ceiling mount.

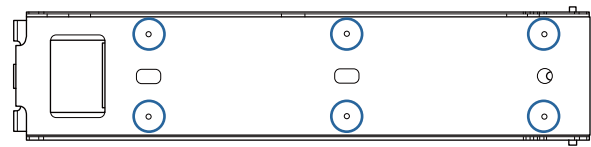
Make sure you acquire commercially available items to be used for installation.

Mounting hole positions and dimensions

①



②




- ① Anchor bolt mounting hole (M10)
- ② Wood screw mounting hole (nominal diameter 4.1)



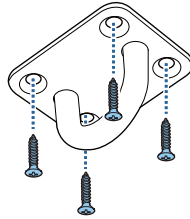
# Installing the Safety Wire

Install the safety wire supplied to prevent the projector from falling.

 **Caution**

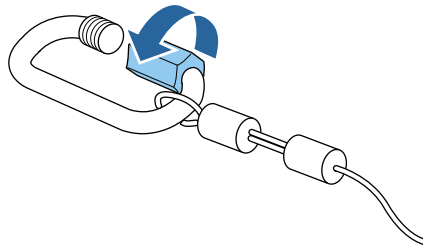
Attach the wire firmly so that it cannot come loose.

**1** Attach the wire hook mount supplied to the ceiling or the wall.

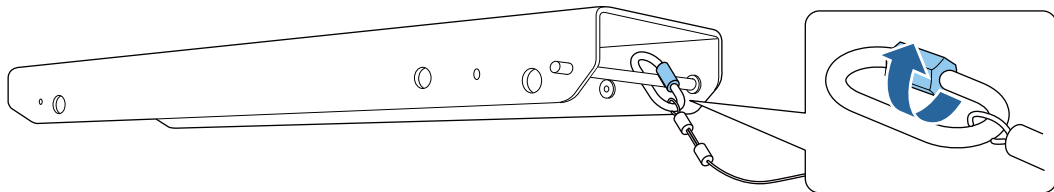


- When installing the wire hook mount, use commercially available wood screws with a nominal diameter of 3.8 mm.
- Make sure that the wood screws enter at least 20 mm into the ceiling or underlying wall.

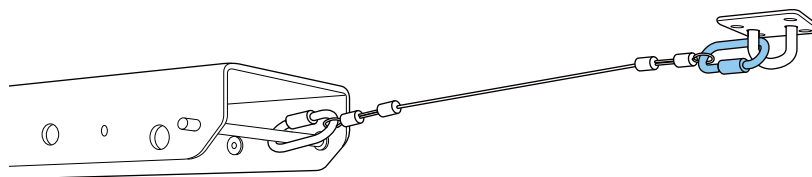
**2** Loosen the carabiner for the safety wire supplied.



**3** Insert the loosened carabiner through the shaft of the ceiling mount, and then tighten.

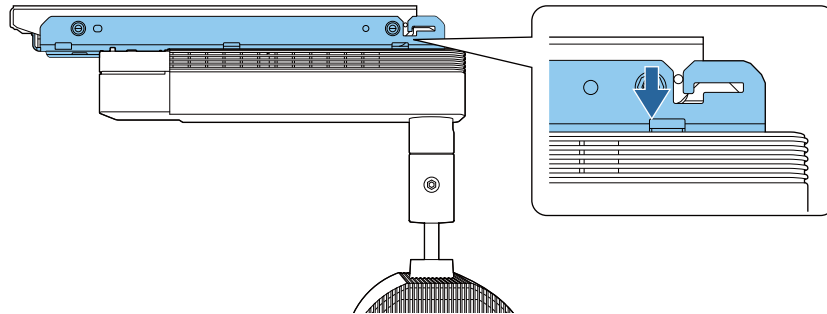


**4** Attach the carabiner for the safety wire to the wire hook mount attached to the ceiling or the wall.

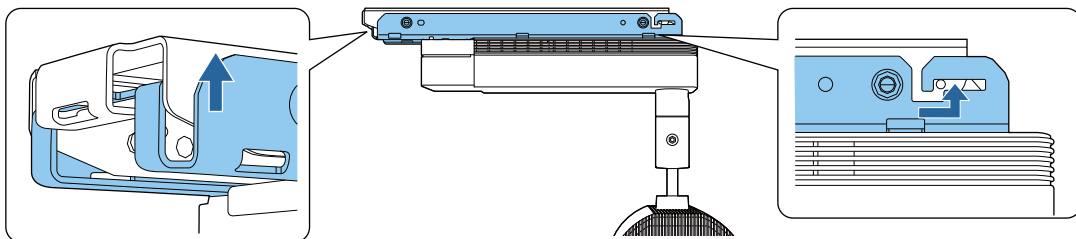


## Combining the Projector Mount with the Ceiling Mount

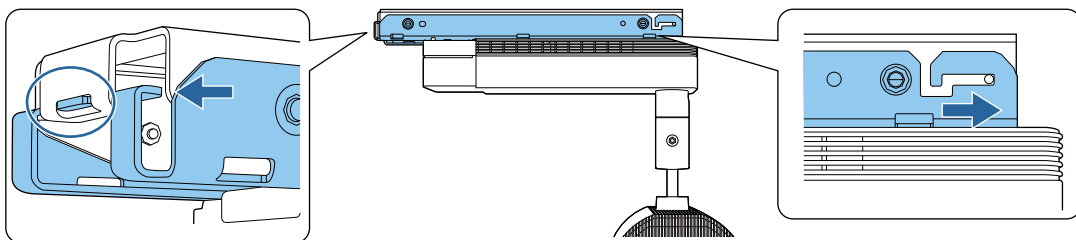
1 Fit the groove for the projector mount over the shaft for the ceiling mount.



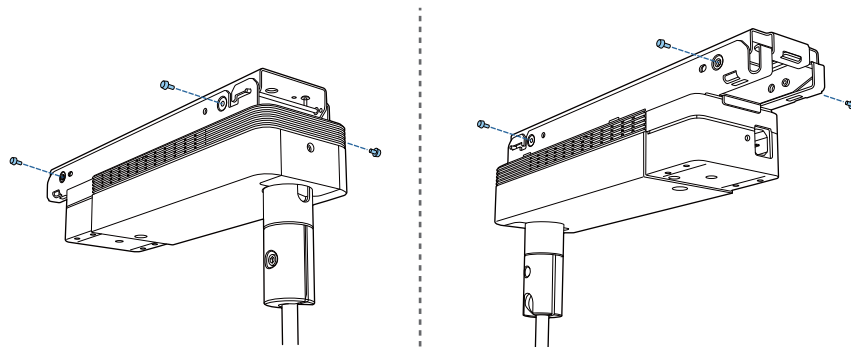
2 Slide the projector mount along the groove. Make sure that the opposite side of the projector mount fits into the hook section of the ceiling mount.



3 Insert the protruding section for the projector mount into the hole on the ceiling mount.

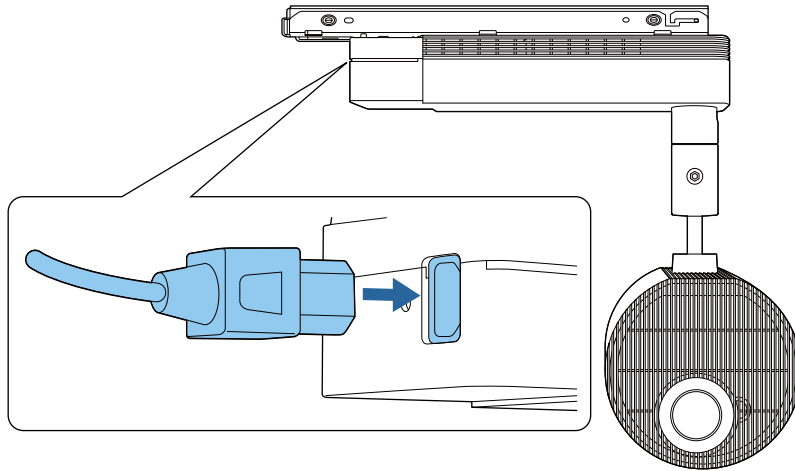


4 Secure the projector mount to the ceiling mount using the M4 x 12 mm screws supplied (x4).

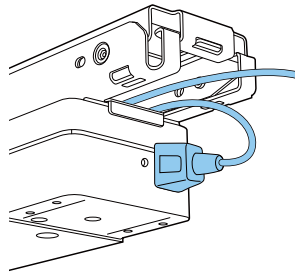


# Connecting Cables

1 Connect the power cable to the projector's power inlet.



- Secure it with the cable clamp supplied to prevent the power cable from disconnecting under its own weight.
- If there is enough space inside the mount, you can store any cable left hanging out as shown below. Make sure the cable does not get damaged on the edges of anchor bolts and so on.



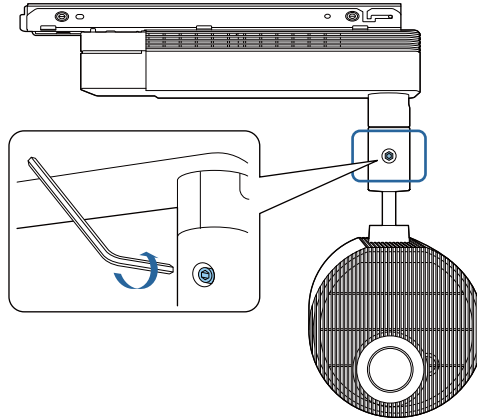
2 Connect the necessary cables and the SD card to the projector's interface.

☛ "Connectable Devices and Necessary Cables" [p.7](#)

## Adjusting the Orientation of the Projector

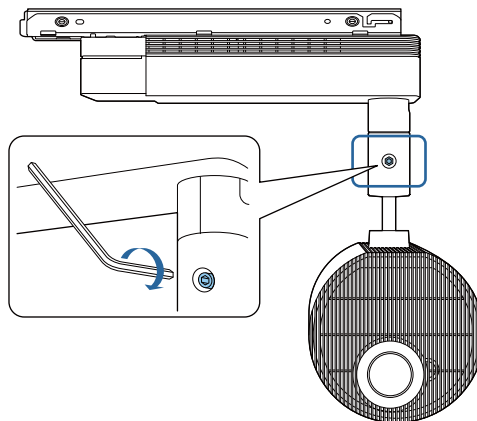
Use the ball joint to adjust the orientation and the angle of the projector.

- 1 Loosen the screw for the ball joint with a hexagonal wrench.



- 2 Adjust the orientation of the projector.

- 3 When you have finished making adjustments, securely tighten the screw for the ball joint section with a hexagonal wrench.

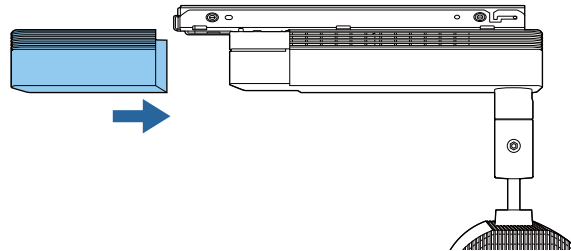


After adjusting the orientation of the projector, turn on the power and adjust the size and focus of the projected image. For more details, see the User's Guide supplied with the projector.

## Attaching the Covers

### Attaching the Power Adapter Cover

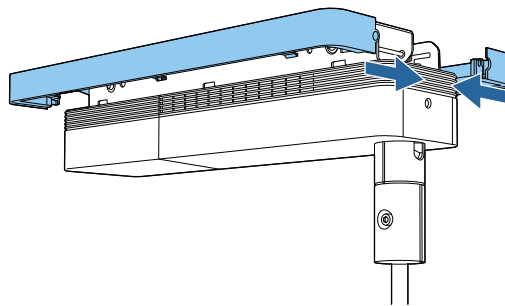
Attach the power adapter cover supplied to the projector.



### Attaching the Mount Cover

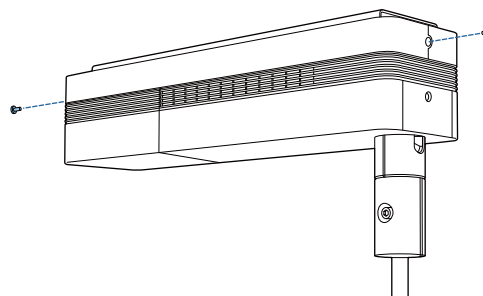
1

Insert the mount cover into the left and right grooves on the projector mount.



2

Secure the mount cover using the M3 x 6 mm screws supplied (x2).



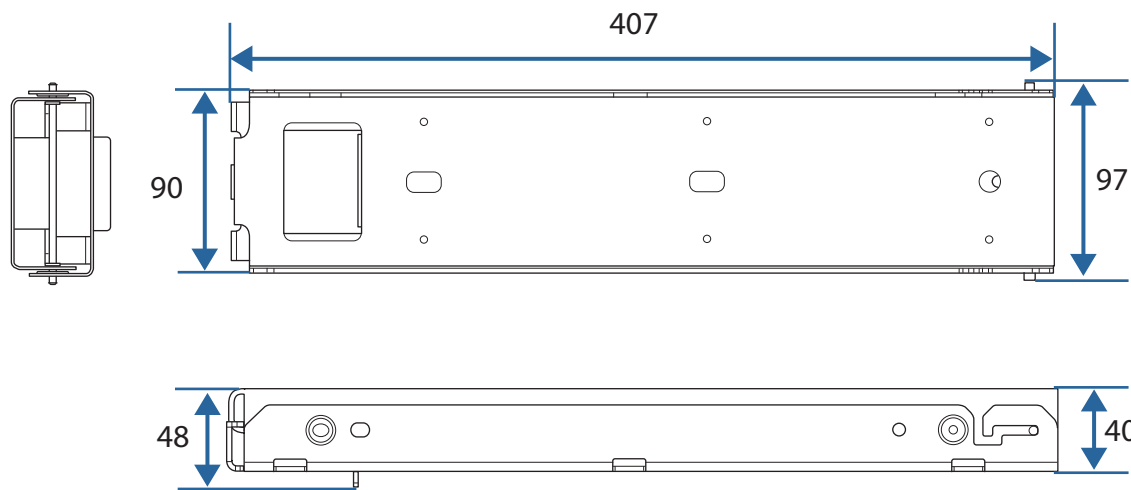
# Specification

Item	Specification
Weight (projector mount, ceiling mount, mount cover)	Approx. 1.9 kg
Maximum load capacity	Approx. 7.4 kg

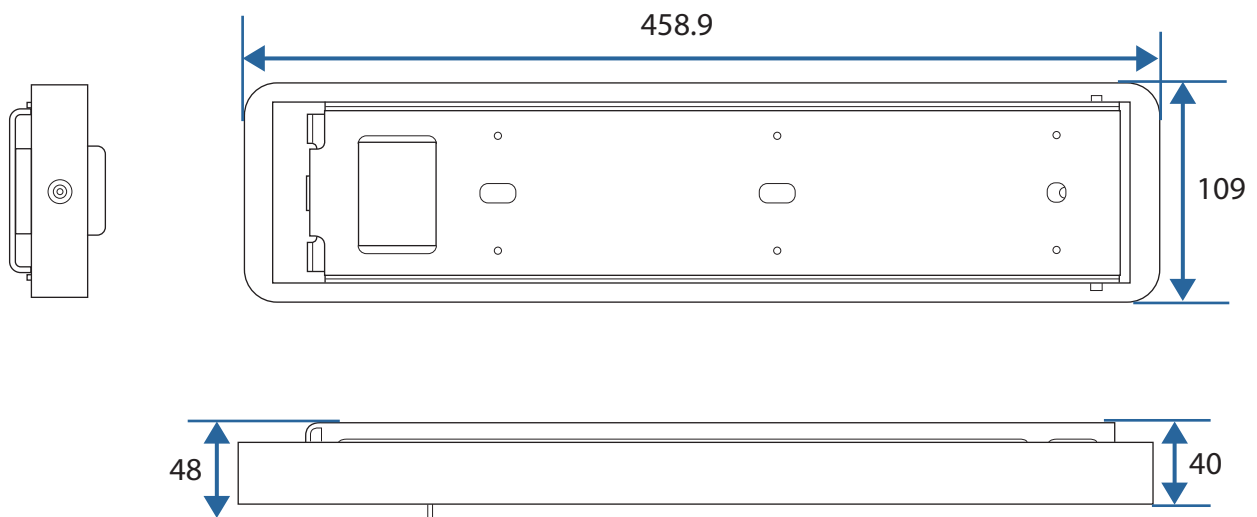
## Appearance

[Unit: mm]

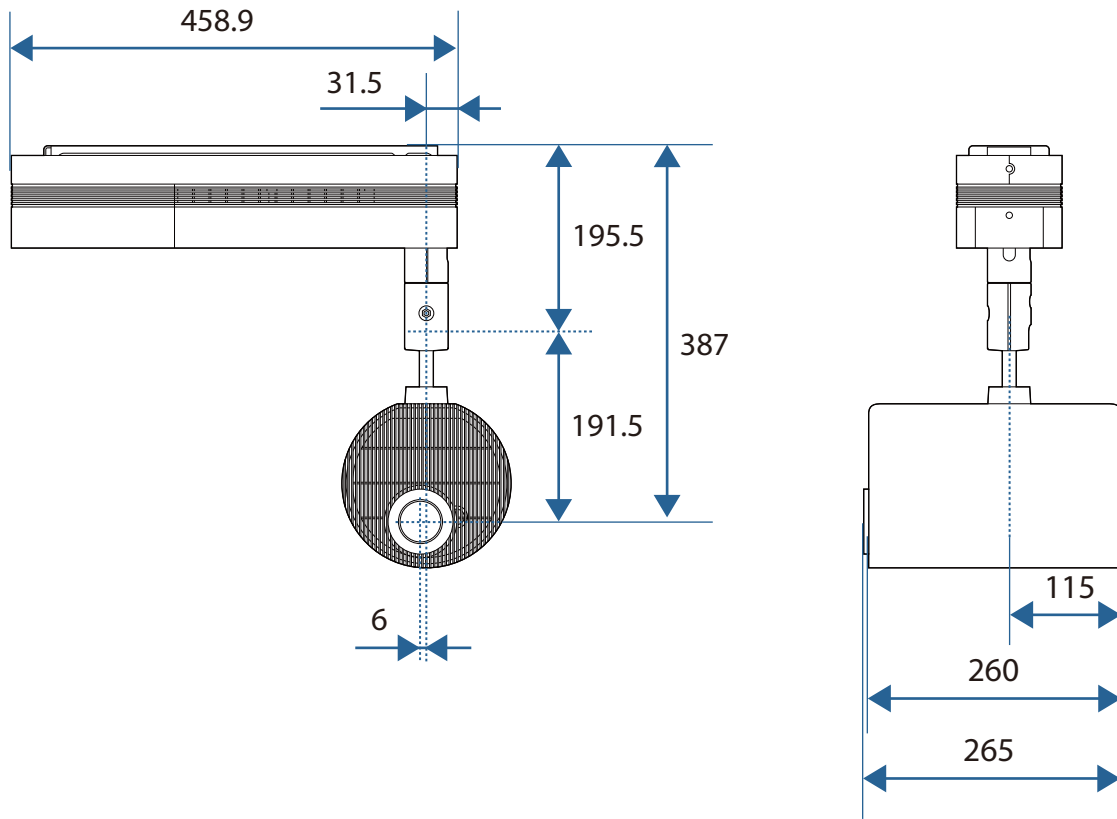
Without the mount cover



With the mount cover attached



Assembly Dimensions



©SEIKO EPSON CORPORATION 2018. All rights reserved.