

WOLFVISION[®]

**INSTRUCTIONS
BEDIENUNGSANLEITUNG**
VZ-C3D



ENGLISH / DEUTSCH

Check out our Internet Homepage for additional information
www.wolfvision.com/support

Precautions

ENGLISH



WARNING!

Risk of electric shock
Dangerous voltage inside



CAUTION
Double pole / neutral fusing.
ATTENTION
Double pôle / fibre sur le neutre

Please observe the following:

CAUTION! INSTALLATION AND SERVICING OF THE VISUALIZER MUST BE PERFORMED BY QUALIFIED SERVICE/INSTALLATION PERSONNEL FOLLOWING THE MANUFACTURER'S INSTALLATION INSTRUCTIONS AND IN COMPLIANCE WITH THE NATIONAL ELECTRIC CODE, ALL LOCAL BUILDING AND SAFETY CODES AND ALL OTHER APPLICABLE CODE PROVISIONS OR REGULATIONS.

USE THIS UNIT ONLY WITH THE CORRECT VOLTAGE AS SHOWN ON THE TYPE LABEL !

DO NOT EXPOSE THE UNIT TO HEAT OR MOISTURE !

PROTECT THE UNIT FROM EXCESSIVE SHOCKS !

USE SECURITY ROPE TO PREVENT IT FROM FALLING DOWN !

Make sure that sufficient air circulation for cooling the unit is possible (ventilation slots on top of the unit)!

If there is any abnormality (abnormal noise, smell, smoke etc.) disconnect the unit from mains immediately and contact your Visualizer dealer!

Do not use a damaged power cord. This may cause short circuits or electrical shocks!

To prevent danger, do not modify the unit or operate without the cover panel firmly in place!

Do not expose the unit to water, metallic objects or any flammable material.

Avoid installing the unit in locations exposed to strong magnetic fields or electrical currents.

Avoid installing the unit in environments where there is radiation. This could cause monitor image distortion or damage to the camera sensor.

Do not pull the plug from the power socket with wet hands!

If the unit is not used for a long time, disconnect it from mains!

Precautions for LED light according EN62471:



LED lighting system - Do not stare into beam!

Do not modify the LED lighting system!

Do not view the light beam with optical instruments!

Ne pas regarder dans l'objectif lorsque le visualiseur est en marche!

Precautions for the laser pointer:

Laser light - Do not stare into beam!

Do not modify the laser! Do not view the laser beam with optical instruments!

Information for laser pointer

FDA accession number: 9912688-00

This device complies with 21 CFR 1040.10 and 1040.11



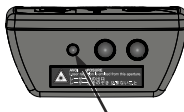
Technical data:

$\lambda = 635 - 680\text{nm}$

$P < 1\text{mW}$

$\Theta \leq 2\text{mrad}$

This label will be found on the underneath of the remote control.



The laser beam exits the remote control through the smaller (left) opening on the front.

Approval

Marks on the unit:



FCC information:

This device complies with part 15 of the FCC rules. Operation is subject to the following two conditions: (1) this device may not cause harmful interference, and (2) this device must accept any interference received, including interference that may cause undesired operation.

Note:

This equipment has been tested and found to comply with the limits for a class B digital device, pursuant to part 15 of the FCC rules.

Information to user:

The user manual or instruction manual for an intentional or unintentional radiator shall caution the user that changes or modifications not expressly approved by the party responsible for compliance could void the user's authority to operate the equipment.

This product is built according to Directive EMC and to Directive electrical equipment.
Inspections, tests and evaluation are according to UL 60950. CSA 22.22-60950
Inspections, tests and evaluation are according to the CB-Scheme
Inspections, tests and evaluation are according to the PCT-Scheme

Worldwide Patents

EU 0 362 737

DE P58907684.1-08

CN 89107780.4

JP 1725033

KR 128059

US 5,027,219

EU 0 987 874

JP 3 544 900

AU 765617

CN ZL99118847.0

and others

Copyright Information

Copyright © by WolfVision. All rights reserved.

WolfVision, Wofu Vision and 沃福视讯 are registered trademarks of WolfVision Holding AG, Austria.

No part of this document may be copied, reproduced, or transmitted by any means, without prior written permission from WolfVision. Except documentation kept by the purchaser for backup purposes.

In the interest of continuing product improvement, WolfVision reserves the right to change product specifications without notice.

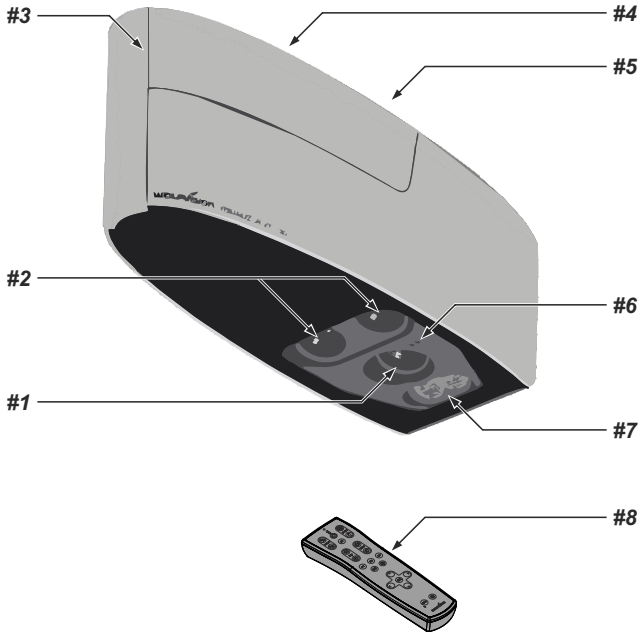
Information in this document may change without notice.

Disclaimer: WolfVision shall not be liable for technical or editorial errors or omissions.

The units are "MADE IN EU/AUSTRIA"

Printed in Austria, February 2015

Components of the Visualizer



#1 Lens for synchronized Lightfield

#2 Camera lenses two identical camera systems for stereoscopic effect (twin cameras)

#3 Cover to hide cable run and ceiling mount (*pull up carefully, secured with cable rope*)

#4 Connectors and Main Switch (*behind the cover, as shown on next page*)

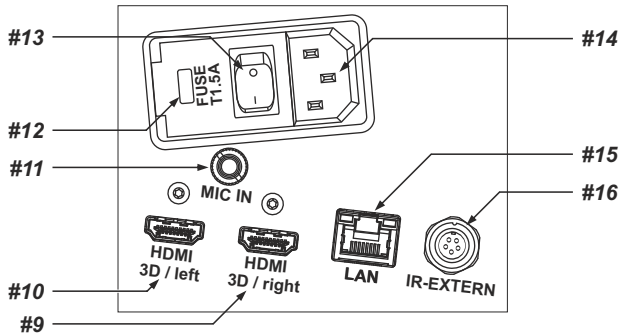
#5 Adapter Ceiling Mount to attach the Visualizer to the ceiling mount (*see Installation Manual*)

#6 Power Indication LED (*see page 6*) and **IR-receiver** (*see page 13, external IR-receiver*)

#7 Ambient Light (*see page 8*)

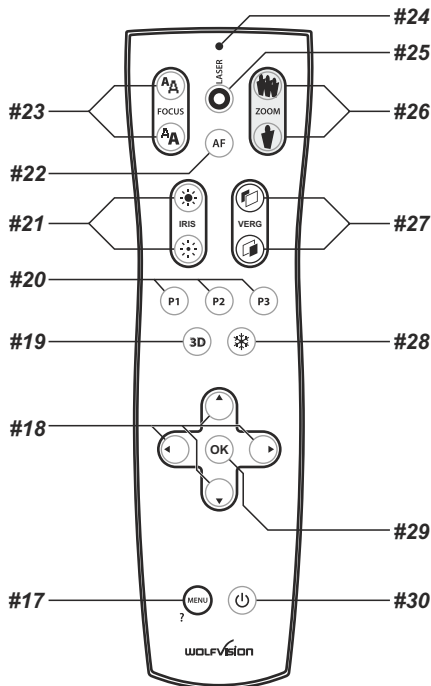
#8 IR-remote control (*see pages 4, 5 and 15*)

Connectors and Main Switch (#4)



- #9 HDMI Right output (see page 12)
- #10 HDMI Left output (see page 12)
- #11 MIC IN (see page 13)
- #12 Fuses (see page 15)
- #13 Main Power Switch
- #14 Power connection to mains (multirange from 100 to 240VAC)
- #15 LAN port 10/100 Tbase (see pages 11 and 13)
- #16 IR-EXTERN input for additional IR-sensor (see page 13)

Infrared Remote Control (#8)



Keys on the IR-Remote Control

#17 MENU key

Pressing MENU key activates the on-screen menu (see page 14).

#18 MENU NAVIGATION keys

For navigating through the on-screen menu (see page 14).

#19 3D key

To toggle image output between different 3D / 2D modes (see page 12).

#20 PRESET keys (programmable settings)

For storing a preset, press one of the PRESET keys for more than 2 seconds.

For recalling a preset, press the PRESET key quickly (see page 9).

#21 Manual IRIS keys (brightness adjustment)

When the IRIS keys are pressed, the Visualizer switches off the auto iris function. The next time the ZOOM keys are used the auto iris is switched on again (see page 9).

For specialists: The behaviour of the iris can be changed in the on-screen menu.

The overall iris level can be changed in the on-screen menu (see page 14).

#22 AUTO FOCUS (AF) key

Pressing this key activates the Auto Focus (see page 9).

#23 Manual FOCUS keys

For focusing the picture (see page 9).

#24 LASER POINTER indication LED

Indicates active Laser LED.

#25 LASER POINTER key

Important: Do not stare directly into the laser beam. This is hazardous for your eyes!

#26 ZOOM keys

Using the ZOOM keys also switches auto iris on again.

#27 VERG keys

To adjust the (Con)vergence / depth of the 3D effect (see page 12).

#28 FREEZE key

Freezes the current image (see page 9).

#29 OK key (Enter)

To confirm menu settings and to enter menu sub menus (see page 14).

#30 POWER key

Pressing this key switches the unit on and off.

When switching on the unit, the Visualizer runs the power-on preset.

Different IR Codes

If you want to work with more than one Visualizer in the same room, the units should be set to different infrared codes, in order to control them all individually.

The IR code of the Visualizer has to match the code of the remote control.

To change the IR code, enter the on-screen menu, go to "Advanced Settings / Miscellaneous Settings" and set the "IR Code" to A, B, C or D (code A is default). To change the IR code on the remote control, simultaneously press **PRESET 1**, **PRESET 2 (#20)** and **ZOOM TELE (#26)**. Each time this key combination is used, the code switches from A to B, C, D ... A ... in the given order.

For resetting the remote control to code A, simultaneously press **PRESET 1**, **PRESET 2** and **ZOOM WIDE**. The LED shows the selected code (it flashes one time for code A, two times for code B, three times for code C and four times for code D).

Basic Preparations

1. Connect the power cable to the unit and plug it in (#14)
2. Connect a 3D viewing monitor or a 3D projector to the outputs of the Visualizer
For choosing the right output mode please see page 12!
3. Turn the main power switch (#13) on the unit to "I". The power indication LED on the unit is illuminated. red for StandBy and green for fully powered-up.
4. By default, the Visualizer will be fully powered-up when mains is supplied.
When the default behaviour is changed by the user, press the POWER key (#30) on the remote control .
5. The Visualizer now runs the "power-on preset".

Power-on preset:

Automatically zooms to a middle zoom position, focuses on the working surface and activates the auto iris (the pick-up size is dependent on the mounting height of the Visualizer).

As soon as the Power Indication LED is green and stays illuminated, you can start working with the Visualizer. The behavior of the unit once the power has been supplied or after the POWER key has been pressed can be changed in the unit's on-screen menu (see page 14).

Operating the Visualizer for the first time - Quick Setup Guide

When the Visualizer is switched on the first time, the Quick Setup Guide will be started automatically on-screen (visible on HDMI output). Use the arrow keys to navigate through the menu.

The settings are:

Language

Select the desired language for the on-screen menu.

Height Adjustment

It is only necessary to conduct the Height Adjustment procedure once, unless the distance between the Visualizer and working surface is changed.

For usual installations, WolfVision recommends using the function "Auto Height Adjustment". Should the unit be unable to adjust itself (e.g. bright ambient light), please use the "Manual Height Adjustment" instead.

The Height Adjustment procedure can be repeated at any time. Just enter the on-screen menu and select Advanced Settings / Height Adjustment.

Ethernet Settings

The IP-address, Subnet Mask and Gateway IP-address can be set automatically by a DHCP-server or manually.

Power Settings

The cameras of the Visualizer can be optimized to 50Hz or 60Hz mains frequency to reduce flickering.

Time Settings

The Visualizer offers the possibility to use the internal clock or an external time server (a time valid time server IP address and internet connection are required).

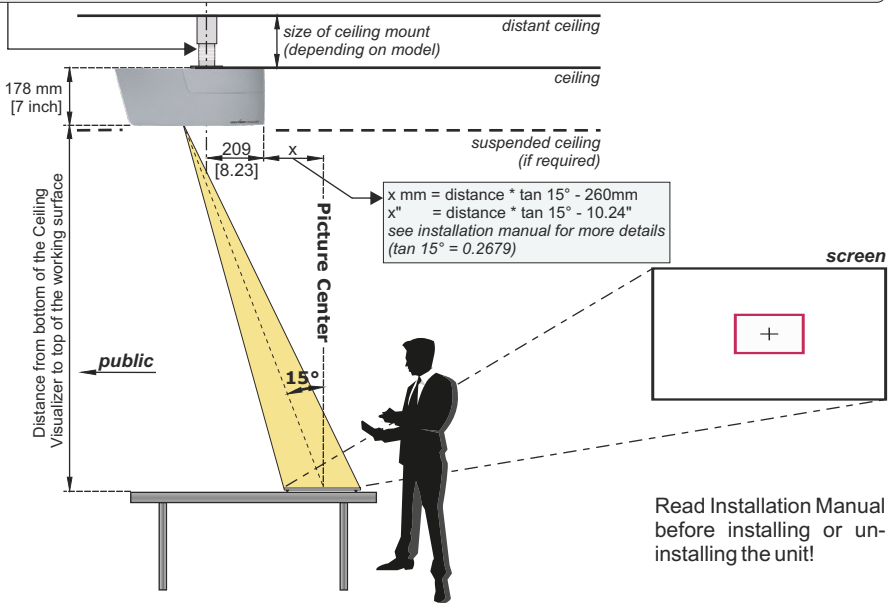
Note: The Height Adjustment is a one time setup, which must only be performed again if the distance between the Visualizer and table is changed! - **more details in the installation manual**

Installation

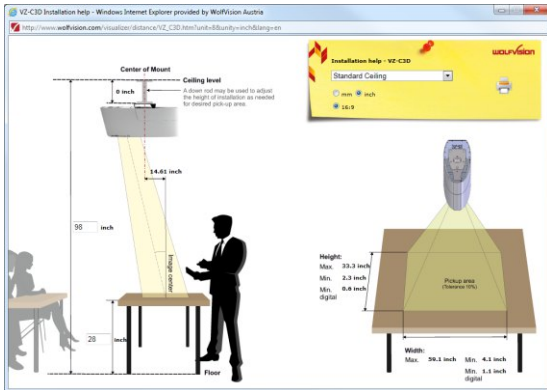
Please read the installation manual before fixing the assembly to the ceiling.

The size of the smallest and largest image that the unit can pick up is not fixed. This is dependent on the distance between the working surface and the bottom of the Visualizer. The tables in the installation manual show the pick-up sizes in relation to the mounting height:

In extremely high rooms the smallest image the unit can pick-up may not be small enough. In such cases a standard ceiling mount or projector-lift can be used to suspend the Ceiling Visualizer further from the ceiling.



Use the calculation program on WolfVision's internet homepage to calculate the exact position and image sizes:



These figures may vary a little in reality, because the position of the focus influences the size. Masking of the monitor or projector should also be taken into consideration (e.g. some units cut off the edges of the picture). Theoretically larger distances than 2200mm (approx. 87") are possible, but the pick-up size would be too large and the light output too low.

Synchronized Lightfield

If the top light of the Visualizer is used (default) a synchronized lightfield always marks the pick-up area of the built-in camera on the working surface.

The alignment of this lightfield is made for working on the working surface. Due to the oblique mounting of the cameras and the light projector of the Visualizer, the lightfield shifts to the upper edge of the pick-up area when the distance between the Visualizer and the scanned object is decreased (when capturing tall objects).

This means that the lightfield no longer exactly shows the recorded area. In this case switch off the light of the Visualizer by pressing the assigned PRESET key (*LIGHT*) and work with room light.

Ambient Lightfield

To increase the light intensity on the working area, the Visualizer is equipped with an ambient light.

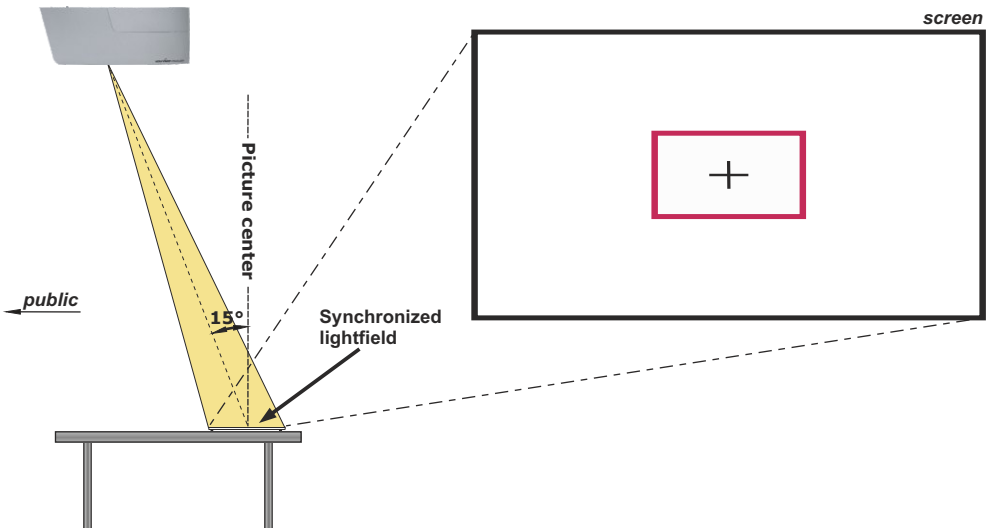
The ambient light cannot mark the pick-up area exactly.

By default, the ambient light will be switched off when zooming to wide at zoom factor x12.

The behavior of the Ambient light can be changed in the on-screen menu (see page 14).

Shooting Area On The Working Surface

1. The **synchronized lightfield** on the working surface marks the pick-up area of the built-in camera.
Just place your subject material in the illuminated area.
Please note, the lightfield is slightly bigger than the camera pick-up area due to technical reasons.
2. Select the enlargement required with the ZOOM keys (#26).
3. When the image is out of focus, adjust the sharpness with the FOCUS keys (#23).



Focusing / Autofocus

When the Visualizer is turned on the focus automatically adjusts to the object.

Please note that objects with very low contrast (like blank sheets of paper) are difficult to focus.

For special applications the autofocus can also be switched off using the on/off switch (#22). The autofocus is also switched off when the manual FOCUS keys (#23) are used.

Optical Zoom / Digital Zoom

Please note that the Visualizer has an **optical 15x zoom**. The digital 4x zoom increases the overall zoom range to a **60x zoom**. The pickup sizes are dependent on distance between Visualizer and object.

When you zoom in, the zoom will be stopped at optical end position, when you zoom in further the digital zoom is automatically activated to extend the optical tele.

However please be aware that when the digital zoom is used, the resolution of the picture is not as good as before.

The behavior of the Visualizer in the digital zoom mode can be changed in the on-screen menu (see page 14).

Optical Zoom Extension (Wide)

The optical zoom in wide is limited at zoom ratio 12x by default.

When you zoom out, the zoom will be stopped at optical zoom position 12x, when you zoom out further the zoom extension is automatically activated and the ambient light will be switched off.

The behavior of the optical zoom extension and the ambient light can be changed in the on-screen menu (see page 14).

Auto Iris / Manual Iris

WolfVision Visualizers are equipped with an auto iris. This means that the brightness of the camera image adjusts automatically. Using the IRIS keys (#21) the auto iris function is switched off. In this mode the Iris can be adjusted manually.

When using the ZOOM keys (#26) the auto iris function is switched on again.

The standard auto iris level can be set brighter or darker in the unit's on-screen menu - see page 14.

Freeze

The current image can be captured by pressing the FREEZE key (#28).

This can be used to prepare the next object during the audience is watching the frozen image.

Preset Function

The Visualizer offers the possibility to store the current settings as a Preset and recall them by just pressing the respective PRESET key (#20) on the remote control.

For storing a preset: adjust any function as required and then press any one of the PRESET keys on the remote control for 2 seconds or more. An on-screen message will inform you when the Preset is stored.

Hint: in addition to the zoom position, the (con)vergence setting will be stored too.

As mentioned above, when presets are stored all current settings such as zoom, focus, iris etc. are also stored. Contrary to this, a user also has the opportunity to assign specific functions such as "NEGATIVE", "NEGATIVE/BLUE", "BLACK/WHITE", "FREEZE", "LIGHT", "RECORD START", "RECORD PAUSE", "RECORD STOP", etc. to a PRESET key in the on-screen menu of the Visualizer (see page 14).

White Balance Adjustment

Correct white balance adjustment is important for an exact color reproduction!

Each time the lighting condition changes, the Visualizer's camera must readjust its white balance, in order to optimize the color reproduction. The lighting condition (color temperature) changes, for example, if changing between the Visualizer's light and an external lightbox (optional bottom light) or if the room light is turning on or off.

The standard setting of the Visualizer is "**Auto Tracking**" white balance. This means that the white balance is continuously adjusted automatically.

For an exact white balance, at least 10% of the recorded image should be white.

For a precise fixed white balance adjustment use the "One Push" white balance. This can be done by pressing the assigned PRESET key (*LIGHT*) for 2 seconds. When the white balance is stored an on-screen message appears. Setting a "One Push" white balance switches off the "Auto Tracking" mode (when the unit is switched off and on again the "Auto Tracking" mode will be reactivated).

Normally there is no need for a manual white balance adjustment. However, if the colors on the screen still appear to be wrong, the white balance can be adjusted manually (one-push):

Hints to perform a One-Push white balance:

Top light (and room light):

Zoom in on a white object (e.g. a sheet of paper) until there is only white on the screen and press the assigned PRESET key (*LIGHT*) for 2 seconds.

Optional Lightbox with transparencies:

Turn off the light of the Visualizer with the assigned PRESET key and switch on the lightbox. Remove everything from the light box, zoom to the smallest picture size until there is only white on the screen and press the assigned PRESET key (*LIGHT*) for 2 seconds.

Optional Lightbox with x-rays:

Turn off the light of the Visualizer and switch on the lightbox. Place an x-ray on the light box, zoom out until the whole x-ray is picked up and press the assigned PRESET key (*LIGHT*) for 2 seconds.

Please note: False colors can also be due to wrong color settings of your projector or monitor. It is recommended to adjust the white balance of the Visualizer at first and if the results are still not satisfactory, the monitor or projector should be checked.

For specialists: The Visualizer can be switched between "Auto Tracking", "One Push" and "Manual" white balance mode in the on-screen menu (see page 14). If you work with negative transparencies and a light box, use a blank (black in the image) part of the negative film for white balance adjustment! The "one Push" white balance will be separately adjusted and stored for top light and external light (no light).

Lightbox (optional)

When a lightbox is used, the top light of the Visualizer should be switched off with the assigned PRESET key (*LIGHT*). Using a bottom light has the disadvantage that the Synchronized Lightfield of the top light no longer marks the pick-up area of the built-in cameras.

The recommended lightbox for the Ceiling Visualizer is the WolfVision Lightbox LB-38.

Send Stream to Network

The Visualizer has a built-in streaming server which is capable of broadcasting video content over the network.

Prepare Ethernet connection and select *Streaming Settings* in the on-screen menu *Advanced Settings*. There you can assign the IP address of the destination (for multicast select: 225.0.0.0 to 238.255.255.255; with all other addresses the stream can be received at one destination only; 224.x.x.x and 239.x.x.x are reserved.), port, streaming content and frame rate.

With mode setting "AUTO" the Visualizer streams on demand only. The WolfVision vSolution Link Software and most internet browsers can start the stream automatically. In case your browser or third party application (media player) cannot start the streaming function, change the mode to "Continuous" for permanent streaming (please note the resulting network traffic).

Select desired streaming content (2D/3D) and frame rate (keep in mind, these settings are influencing the network traffic).

To watch the stream with a third party application, just input the network URL into the address field:

Internet Browser, example: **http://192.168.0.2** (select Live Capture)

The necessary IP address is the IP-address of the Visualizer (on-screen menu *Advanced Settings / Ethernet Settings*). The Visualizer broadcasts the currently shown content of video (live camera) to the network.

Media Player, example (VLC player): **udp://@225.0.0.0:8800**

The necessary IP address is the destination address of the Visualizer (on-screen menu *Advanced Settings / Streaming Settings*).

Enable continuous streaming and the Visualizer broadcasts the currently shown content of video (live camera) to the network.

Technical Background: UDP Multicast works like a broadcast - many clients are watching the same video stream. In Multicast mode the bandwidth is always the same, no matter how many computers are connected. However as many routers do not support Multicast, UDP Unicast can be used instead for point-to-point connection (one client is possible).

In TCP Singlecast mode each computer opens a separate connection to the Visualizer, which requires a lot of bandwidth if many clients are connected (max. 128 connections).

Hints:

For full functionality JAVA version 7 or higher is necessary when using a browser to listen.

For full functionality following ports are necessary: 80, 123, 50000, 50913, 50914, 50915, 50921 and 8800 (default).

Ensure that the IP-address and used ports are not blocked by any firewall.

Please note, some network routers are not able to forward multicast streams.

Video - Recording Video Clips

The Visualizer supports video recording in a multimedia-container format inclusive audio. Just assign the recording functions to the PRESET keys and start recording with "RECORD". The recording can be paused and resumed with "PAUSE" and stopped with "STOP".

The recorded video files can be watched and processed on a computer with respective third party software.

The computer has to be in the same network as the Visualizer. Open the file explorer on the computer and input the network URL of the Visualizer into the address field in the format: `\\xxx.xxx.xxx.xxx\data`.

Example: \\192.168.0.10\data

Hints:

The file will be recorded in FullHD, Side-By-Side, with video codec Motion-JPEG (MJPEG).

Every file will be named with date and time stamp (JJMMDD-hhmmss). Example: 150209-094735.avi

On-screen messages are telling you if the recording is running, paused or stopped.

The Visualizer uses an built-in SSD-memory with 500GB storage (capacity for about 8h, according content).

Streaming will be stopped as soon video recording is started.

Please note, a video file is recorded each time you press the REC key. If file size exceeds 2GB, a new file will be created automatically.

Video recording and network streaming cannot be used simultaneously.

HDMI Output

Choosing the Correct Output Mode

The HDMI Left/3D and HDMI Right/3D outputs (#9 and #10) can output signals in following formats, always in resolution 1920x1080 pixels (16:9 Widescreen FullHD):

- Side By Side	at 30Hz, 50Hz or 60Hz	3D-resolution	
- Line Alternate	at 30Hz or 60Hz	3D-resolution	
- Page Flip	at 30Hz or 60Hz	3D-resolution	
- Left / Right	at 30Hz or 60Hz	3D-resolution	(left and right separated on the outputs)
- Frame Packing	at 24Hz or 30Hz	3D-resolution	
- Top and Bottom	at 24Hz, 30Hz or 60Hz	3D-resolution	
- Overlay 50/50	at 30Hz or 60Hz	2D-resolution	(special resolution for troubleshooting)
- Left	at 30Hz or 60Hz	2D-resolution	
- Right	at 30Hz or 60Hz	2D-resolution	

Follow the instructions in the user manual of the connected display device to select the most suitable mode!

Observe the warning information in the user manual of the connected display device!

Important: What matters is the native resolution of the projector or monitor, not the maximum resolution that it can display (in compressed mode). The native resolution is the actual number of pixels of the built-in LCD display or DLP chip of a projector or monitor. Most LCD or DLP projectors can also display higher resolutions than their native resolution, but only in compressed mode and with inferior picture quality.

Do NOT set the output of the Visualizer to a unsupported mode of your display device!

Vergence

To adjust the 3D effect of the Visualizer by using the VERGENCE keys (#27).

This will tune the visible depth of the image due to shifting both cameras together or apart.

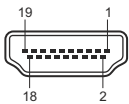
For easier adjustment, the Disparity Grid can be activated in the on-screen menu (see page 14).

3D key

Use this key (#19) to switch quickly between pre-defined 3D and 2D output modes.

The used output modes have to be pre-defined in the on-screen menu / Output Settings.

HDMI Ports (#9 and #10)



19-pin HDMI connector female (front side, unit)

1 - T.M.D.S. Data2+	8 - T.M.D.S. Data0 Shield	15 - SCL (I ² C Serial Data Line for DDC)
2 - T.M.D.S. Data2 Shield	9 - T.M.D.S. Data0-	16 - SDA (I ² C Data Line for DDC)
3 - T.M.D.S. Data2-	10 - T.M.D.S. Clock+	17 - DDC Ground
4 - T.M.D.S. Data1+	11 - T.M.D.S. Clock Shield	18 - DC+5V (max. 50mA)
5 - T.M.D.S. Data1 Shield	12 - T.M.D.S. Clock	19 - Hot Plug detect
6 - T.M.D.S. Data1-	13 - Reserved	
7 - T.M.D.S. Data0+	14 - Reserved	

CEC (Consumer Electronic Control), ARC (Audio Return Channel) and HEC (HDMI Ethernet Channel) are not supported.

HDMI Content Protection - HDCP

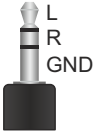
The Visualizer does not provide HDCP (High-bandwidth Digital Content Protection).

The proprietary HDCP technology is used on protected content like Hi-Definition Hollywood movies and Pay-per-view transmissions and will not affect non-protected content.

It is not allowed to bypass the security system by law.

Copyright owner is Digital Millennium Copyright Act (DMCA).

MIC IN (#11)



The Visualizer can mix audio content to the video records. Just connect the microphone system to the input of the Visualizer and start recording.
Level: max. 1V_{RMS} @ 10kOhm (stereo, unbalanced)

Hint:

Some microphone systems are requiring a pre-amplifier.

In case you encounter hum noise caused due to ground loops, check installation. When it cannot be solved, add a ground-loop isolator to the audio line.

Transmission range: 20Hz~20kHz at +/- 3dB / 300Hz~10kHz at +/- 1dB

Transmission ratio: 1:1

Ethernet / LAN Port (#15)

10BASE-T/100Base-TX

The LAN port makes the Visualizer a part of the internal computer network and it can be used for communication over the Internet, if it is assigned an official (WAN) IP address.

Administrators of a larger number of Visualizers can use the LAN port to support all of their units from their local desktop PC.

The list of applications for the Visualizers LAN port is constantly increasing. It can be used for controlling, capturing still images, viewing live video streams, firmware updates, adjustments, menu settings and maintenance purposes (some functions are supported by vSolution Link only).

The following protocols are supported: TCP/IP, IGMP, UDP and ARP.

Supported (tested) internet browsers are: Windows Internet Explorer, Firefox, Chrome and Safari.

By default, DHCP is activated to receive all network settings automatically provided from the server.

Possible image transfer resolution up to FullHD (1080p) with different 2D or 3D formats.

The Visualizer is supporting Wake On LAN (WOL) by using the software vSolution Link by WolfVision.

Security of accessing Ethernet

The Ethernet functionality of the Visualizer can be limited and the access can be protected with a password. Select "Security Settings" in the on-screen menu Advanced Settings / Ethernet Settings.

Input the valid admin password to change the settings to restrict the functionality of Ethernet. Also the admin password can be changed afterwards.

Note the changed password! Only WolfVision can reset a forgotten admin password!

Default passwords are "Password" for admin and guest.

Room Management Systems

The LAN port (#15) can be used to control the Visualizer through an external device, such as a room control system that is used to integrate conference rooms.

The complete protocol can be found on our internet website under: www.wolfvision.com (Support).

External Infrared (IR) Sensor (#16)

In some rooms the built-in infrared receiver (#6) of the Ceiling Visualizer may not be enough. In this case connect the supplied external infrared receiver to the IR-sensor plug and position the IR-sensor somewhere on the ceiling (or in the room) where the users normally point the remote control at.

The following chapter is for experienced users only:

ON-SCREEN MENU / ON-SCREEN HELP

For regular use of the WolfVision Visualizer, it is not necessary to go into the Visualizer's menu and change settings. Inexperienced users should not make any adjustments here.

To enter the on-screen menu press the MENU key (#17). Settings of the Visualizer's basic functions and the built-in camera can be made here using the 4 SELECT keys on the remote control (#18) and the OK key (#29).

If more information on a function in the on-screen menu is required, set the cursor in the respective line and keep pressed the MENU / ? key (#17) until a detailed description of this function appears on the screen. To exit the help function, keep the MENU / ? key pressed again until the help disappears.

By pressing the MENU key for 4 seconds the Extra Menu appears. In the Extra Menu, e.g. the Factory Reset can be performed to reset all settings including resolution and IP addresses to the default.

The functions of the on-screen menu are not described in detail in this user manual as the help menu is an integrated part of the Visualizer's software (firmware). The information you see on your screen always belongs to the current Visualizer firmware.

Exposure Settings

The exposure settings will affect the brightness of the image, e.g. Gain, Shutter, Aperture, Image Brightness and Back Light Compensation.

Color Settings

The Color Settings will affect the color reproduction of the camera, e.g. White Balance settings, Color Mode and Positive/Negative.

Hint:

If the picture on your screen appears to be too light or too dark or the color saturation is not correct, the Color Mode can be changed.

For better readability of handwritten texts, the image can be changed to BLUE.

Output Settings

To change the Detail Settings (sharpness) and to change the Output Resolution manually.

Hint:

Use the "Resolution Test" function to change to the selected resolution temporarily for ten seconds. This way the compatibility of the connected display device can be easily checked.

Preset Settings

In the "Preset Control" the Preset keys can be assigned specific functions such as "WHITE BALANCE", "BLACK/WHITE", "LIGHT", etc.. Additionally the default presets can be recalled.

Advanced Settings

In this sub-menu the behaviour when powering on, zooming, using on-screen menu can be changed and the Height Adjustment can be performed.

Settings for Ethernet (LAN) Streaming (Recording) and Date/Time will also be found in this menu.

Hint:

Change Power-Down Mode to "DEEP" to save power consumption in standby mode.

Open "Device Info" to view details of the unit like currently installed firmware version.

Recall Default Menu Settings

All picture affecting settings can be set back to the factory defaults. All settings which affect the communication with other equipment, e.g. network settings and resolution will not be changed.

Start Quick Setup Guide

The Quick Setup Guide will be started automatically when the Visualizer is switched on the first time and can be started with this item manually. This menu will guide you through basic settings like Height Adjustment, language, LAN settings and time/date settings.

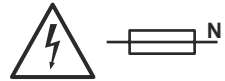
MAINTENANCE

Exchanging Fuses

Disconnect the power cord (#9) before changing the fuses!

The fuses (#11) are situated behind a small lid at the power socket.

It can easily be opened with a small screwdriver etc.. Remove the socket, exchange the fuse(s) carefully, and put back the socket the right way round into the socket holder.



The type of fuse is: T 1.5A. Do not use any other type !

Change the fuses for new ones and switch the unit on. If the fuse fails again contact your Visualizer dealer!

Cleaning

IMPORTANT

Cabinet: Clean the cabinet by gently wiping it with a soft, lint free cloth.

Glass: Clean the glass by gently wiping it with a soft, lint free cloth (do not use a paper tissue!). Clean by breathing on the glass to create moisture then wipe with lint-free cloth (If not clean, use special optical cleaner only!).

Never use strong cleaning agents such as acetone or benzene!

These substances can damage the surface and anti-reflex coating!

Please note that dust on the lenses inside the unit and on the glass has only little effect to picture quality (as it is out of the focal range).

WARNING:

**To clean the optical parts inside, the unit has to be opened!
Opening the unit is reserved for WolfVision or authorized service personnel!
The unit might be in need of adjustment after opening.**

Firmware Upgrades

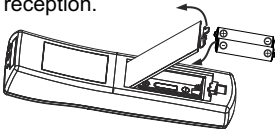
The software (firmware) of your Visualizer (including the on-screen HELP) can easily be upgraded to the latest version via Ethernet (LAN).

Firmware update files can be downloaded for free at www.wolfvision.com (Support). Updates can be made with the software vSolution Link by WolfVision.

Alternatively, the firmware can be updated in the on-screen menu (Advanced Settings / Device Info), provided the Visualizer is connected to the Internet. By selecting the line "Check For FW Update", the Visualizer checks the WolfVision server for newer firmware files. Follow the on-screen instructions to start the update process.

Infrared Remote Control

Please note that an infrared remote control can only be used up to a certain distance from the unit. Objects situated between the Visualizer and the infrared remote control, and weak batteries, interfere with reception.



If the Visualizer can only be controlled from a close distance, you may need to change the batteries.

If the Visualizer cannot be controlled at all with the infrared remote control, you may need to check the code (see page 5) or to change the batteries.

Open the cover on the back of the remote control and replace both 1.5V AAA (Code LR03) batteries with new ones of the same type.

Check the polarity of the batteries!

CAUTION

Risk of explosion if batteries are replaced by an incorrect type.

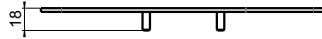
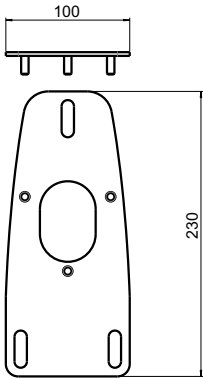
Dispose of used batteries according to the instructions. Recycle the batteries.

ATTENTION

Il y a danger d'explosion s'il y a remplacement incorrect de la batterie. Remplacer uniquement avec une batterie du même type ou d'un type équivalent recommandé par le constructeur.

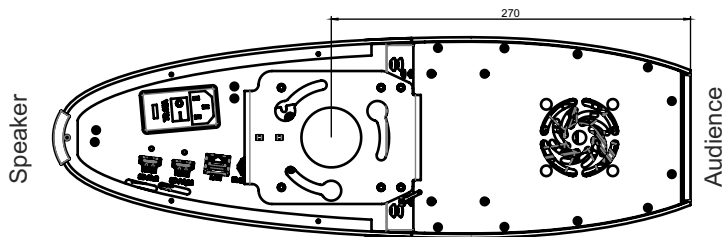
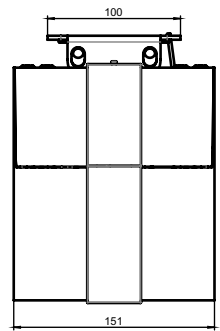
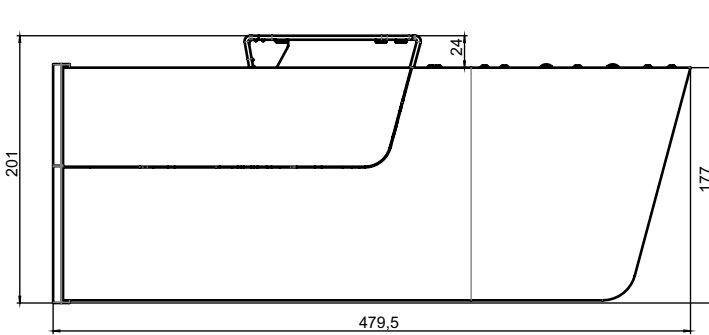
Mettre au rebut les batteries usagées conformément aux instructions du fabricant. Recycler les batteries.

Dimensions of the Ceiling Mount Assembly (see list for dimensions in inches)



mm	Inch
18	0.709
24	0.945
100	3.937
151	5.945
177	6.969
201	7.913
230	9.055
270	10.630
479.5	18.878

Dimensions of Ceiling Visualizer (see list for dimensions in inches)



Technical Specifications are Subject to Change!



IMPORTANT

Sufficient ventilation is to be provided, otherwise it can result in damage to the equipment.

Technical Data

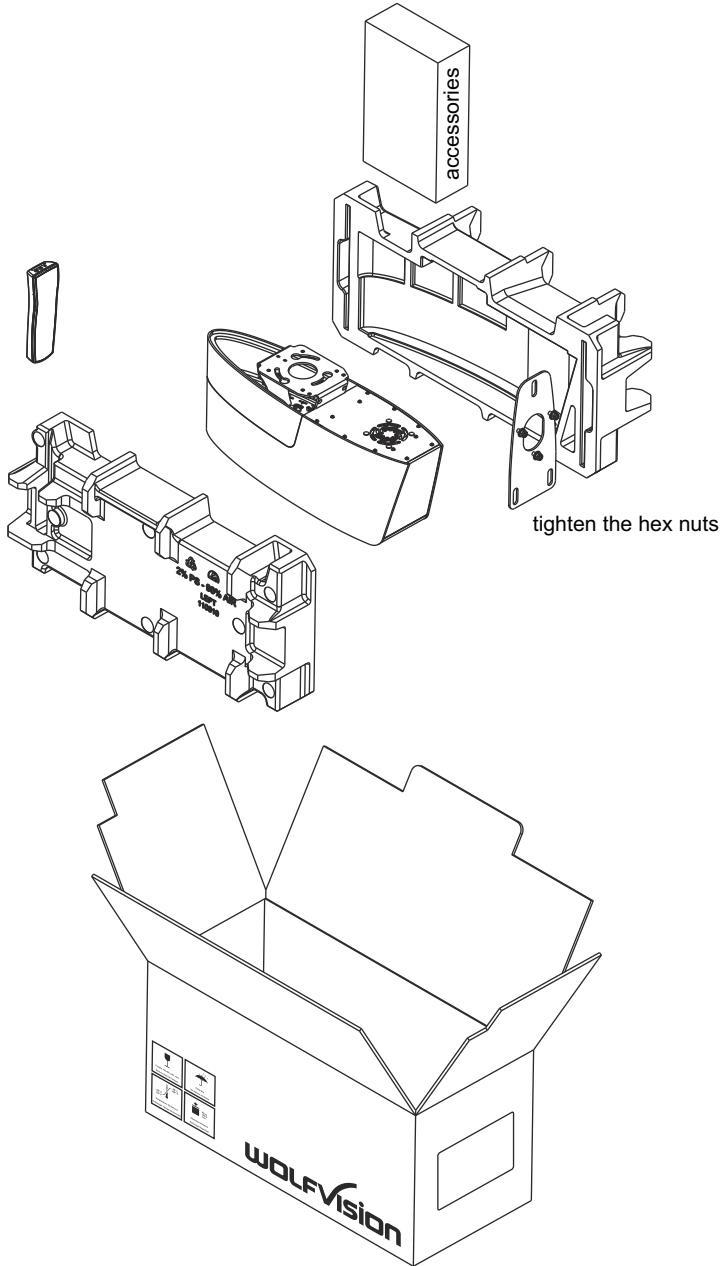
Camera / Technology (Signal format)	2x CMOS 1/3" Progressive Scan
2-dimensional / 3-dimensional	2D and 3D
Pictures per second (as picked up by the camera)	30 frames per second in 2D and 3D mode
Native (effective Pixels of camera sensor)	2 x 1920x1080 (=2 x 2,073,600)
Native pixels of image processing	2 x 1920x1080 (=2 x 2,073,600)
Pixels processed per second (=effective pixels x frames per sec.)	124,416,000
Color reproduction / precision	very good colors / sRGB color precision
Native signal output	1080p HD (1920x1080) in 2D and 3D mode
3D Output signals modes (1080p)	frame packing, side by side, top and bottom, page flip, left / right, right / left and line alternating (switchable)
2D Output signal modes (1080p)	Left, Right, Overlay 50/50 (switchable)
WolfVision image processing engine "YSOP1"	yes
Resolution (measured)	980 lines
Vertical image-frequency (depending on selected output mode)	Progressive Scan: 24Hz, 30Hz and 60Hz (switchable)
Iris (Brightness adjustment)	automatic and manual
White balance adjustment	automatic and manual
Focus	automatic and manual
Synchronized lightfield for easy object positioning	yes (in size of pick-up area of camera)
On-screen menu and on-screen help	yes
Upgradeable firmware	yes, via Ethernet/LAN
Lens / Zoom	2 wide angle zoom camera lenses + 1 light zoom lens 60x zoom (15x optical + 4x digital)
Lens type	wide angle, f= 4.7 - 57mm
Interocular Distance	55mm
Vergence	1m to infinity (adjustable)
Max. object height on working surface level	depending on installation height (maximum limit 1.7m/66.9")
Max. pick-up area on working surface level	depending on installation height
Min. pick-up area on working surface level	depending on installation height
Min. pick-up area on working surface level with digital zoom	depending on installation height
Depth of focus on small object (42 x 33 mm)	larger than 20mm (0.8")
Depth of focus on large object (360 x 270 mm)	larger than 250mm (9.7")
Shadow free illumination	yes
Illumination of hollow objects	yes
Disturbing stray light	almost none
Blinding of audience or speaker	none
Light source	Maintenance free high-brightness LED light system (lamp lifetime 30,000h)
Software (LAN) for controlling, image and video capturing and firmware updates	vSolution Link by WolfVision, included (for 32- and 64-bit Windows and Macintosh)
Reflection free area on working surface level	whole pick-up area
User programmable presets	3
Special working surface for transparencies	optional
Bottom light	optional
Image memory	1 image freeze
Alternative Image display	negative image / negative-blue image / black and white image
HDMI output	2x HDMI 3D capable
Advanced controlling with professional protocol	yes, via LAN
Ethernet (LAN) port	yes, IP-addressable, 10/100 Mbps Streaming in Motion JPEG (unicast and multicast) Web interface
Video Recording	yes, to internal SSD-storage (500GB)
Audio	yes, microphone input (line level)
Dimensions (L x W x H)	478mm x 150mm x 178mm (18.8" x 5.9" x 7")
Weight	5.2kg (11.5lbs)
Infrared remote control	yes (with laserpointer)
External IR-sensor	yes, with 10m cable
Ceiling Mount	included (ultra low height, extensible with video projector mounts)
Voltage input / Power consumption	internal power supply, multi range 100 - 240 VAC / power consumption 39W
Operating Temperature / Relative Humidity	0°C - 40°C (32°F - 104°F) / 40 - 60%rel
Warranty	5 years
Made in	Austria (European Union)

Please note: Due to technical improvements all specifications are subject to change!

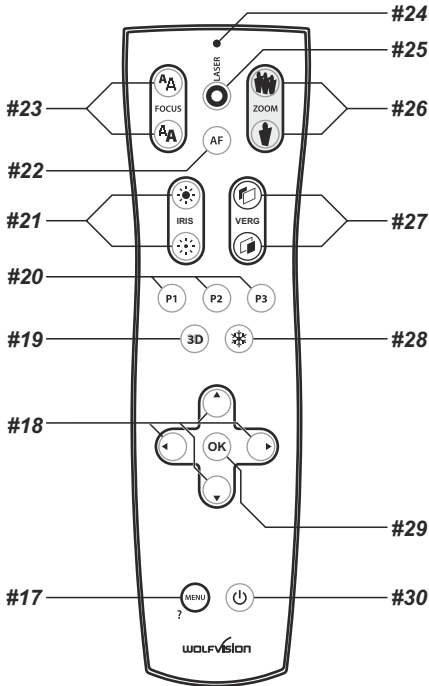
Packaging / Transportation

IMPORTANT

Please make sure that you pack up the Visualizer in the supplied box as explained in the graphic below. This is very important to avoid damage to sensitive parts of the unit!



Codes - Short Keys



Storing Presets:

Press one of the **PRESET** keys (#20) for 2 seconds.

Recalling Presets:

Press one of the **PRESET** keys (#20) quickly.

Activating the on-screen menu:

Press the **MENU** key (#17).

Activating the on-screen Extra menu:

Press the **MENU** key and keep it pressed until the extra menu appears (#17).

Menu - Help function:

Open the on-screen menu, select the desired item and keep the **MENU / ?** key (#17) pressed until the Help text will be displayed. To exit the Help, keep the **MENU / ?** key pressed again until the Help text will disappear.

Change IR code:

Change the IR code in the on-screen menu "Advanced Settings / Miscellaneous Settings" (code A is default).

Change the IR code on the remote control too by pressing simultaneously **PRESET 1**, **PRESET 2** (#20) and **ZOOM TELE** (#26) to switch from code A to B, C, D...A... in the order given.

For resetting the remote control to code A simultaneously press **PRESET 1**, **PRESET 2** (#20) and **ZOOM WIDE** (#26).

Vorsichtsmaßnahmen

DEUTSCH



WARNUNG!

Elektroschockrisiko
gefährliche Spannungen
im Geräteinneren



VORSICHT

Doppelpolig / Neutral Absicherung

Angeführte Vorsichtsmaßnahmen unbedingt beachten:

DAS GERÄT DARF NUR VON AUTORISIERTEN UND GESCHULTEN FACHKRÄFTEN NACH LOKAL GÜLTIGEN SICHERHEITSVORSCHRIFTEN MONTIERT UND GEWARTET WERDEN.

DAS GERÄT NUR MIT DER AUF DEM TYPENSCHILD ANGEgebenEN SPANNUNG BETREIBEN !

DAS GERÄT VOR HITZE UND FEUCHTIGKEIT SCHÜTZEN !

DAS GERÄT VOR ERSCHÜTTERUNG SCHÜTZEN !

Bitte darauf achten, dass eine ausreichende Luftzirkulation zur Kühlung des Gerätes möglich ist (Lüftungsschlitze oben unbedingt freihalten)!

Bei jeder Art von Störungsanzeichen (abnormale Geräusche, Geruch, Rauchentwicklung, etc.) das Gerät abschalten. Setzen Sie sich bitte in solchen Fällen umgehend mit Ihrem Visualizer-Händler in Verbindung!

Niemals ein beschädigtes Netzkabel verwenden. Andernfalls kann es zu Kurzschlüssen und zu elektrischen Schlägen kommen!

Am Gerät keinerlei Umbauten vornehmen und das Gerät niemals ohne Gehäusedeckel in Betrieb nehmen!

Keine entflammaren oder metallischen Gegenstände oder Flüssigkeiten in das Geräteinnere dringen lassen!

Das Gerät nicht im Bereich von starken Magnetfeldern und elektrischen Feldern in Betrieb nehmen!

Das Gerät nicht im Wirkungsbereich von Röntgenstrahlung betreiben. Dadurch können Teile der Kamera beschädigt werden.

Das Netzkabel und den Netzstecker niemals mit feuchten Händen berühren!

Das Gerät bei längerer Nichtbenutzung vom Netz trennen (Hauptschalter)!

Vorsichtsmaßnahmen für die LED-Beleuchtung nach EN62471:



LED-Beleuchtungssystem - Nicht direkt den Lichtstrahl blicken!

LED-Beleuchtungssystem nicht modifizieren!

Lichtstrahl nicht mit optischen Instrumenten betrachten!

Vorsichtsmaßnahmen für den Laserpointer:

Laserstrahlen - Nicht direkt den Laserstrahl blicken!

Laser nicht modifizieren! Laserstrahl nicht mit optischen Instrumenten betrachten!

Information für den Laserpointer

FDA Zugriffsnummer: 9912688-00

Entspricht den Vorschriften 21 CFR 1040.10 und 1040.11



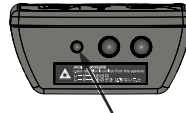
Technische Daten:

$\lambda = 635 - 680\text{nm}$

$P < 1\text{mW}$

$\Theta \leq 2\text{mrad}$

Dieser Aufkleber befindet sich auf der Unterseite der Fernbedienung.



Die kleinere Öffnung (links) an der Frontseite der Fernbedienung ist die Laserstrahl-Austrittsöffnung.

Prüfungen

Aufkleber am Gerät:



FCC information (original Text):

This device complies with part 15 of the FCC rules. Operation is subject to the following two conditions: (1) This device may not cause harmful interference, and (2) this device must accept any interference received, including interference that may cause undesired operation.

Note:

This equipment has been tested and found to comply with the limits for a class B digital device, pursuant to part 15 of the FCC rules.

Information to user:

The user manual or instruction manual for an intentional or unintentional radiator shall caution the user that changes or modifications not expressly approved by the party responsible for compliance could void the user's authority to operate the equipment.

Dieses Gerät entspricht der EMC-Verordnung und der Verordnung für elektrische Geräte. Prüfungen, Tests und Untersuchungen wurden nach UL 60950, CSA 22.22-60950 durchgeführt. Prüfungen, Tests und Untersuchungen wurden nach dem CB-Schema durchgeführt. Prüfungen, Tests und Untersuchungen wurden nach dem PCT-Schema durchgeführt.

Weltweite Patente

EU 0 362 737

DE P58907684.1-08

CN 89107780.4

JP 1725033

KR 128059

US 5,027,219

EU 0 987 874

JP 3 544 900

AU 765617

CN ZL99118847.0

und weitere

Copyright Information

Copyright © WolfVision. Alle Rechte vorbehalten.

WolfVision, Wofu Vision und 沃福视讯 sind registrierte Warenzeichen der WolfVision Holding AG, Austria.

Dieses Dokument darf ohne vorherige schriftliche Zustimmung von WolfVision weder als Ganzes noch in Teilen mit irgendwelchen Mitteln kopiert, reproduziert oder übertragen werden. Ausgenommen sind Kopien, die vom Benutzer zu Sicherungszwecken aufbewahrt werden.

Im Interesse einer ständigen Produktverbesserung behält sich WolfVision das Recht vor, die Produktspezifikationen ohne Ankündigung zu ändern.

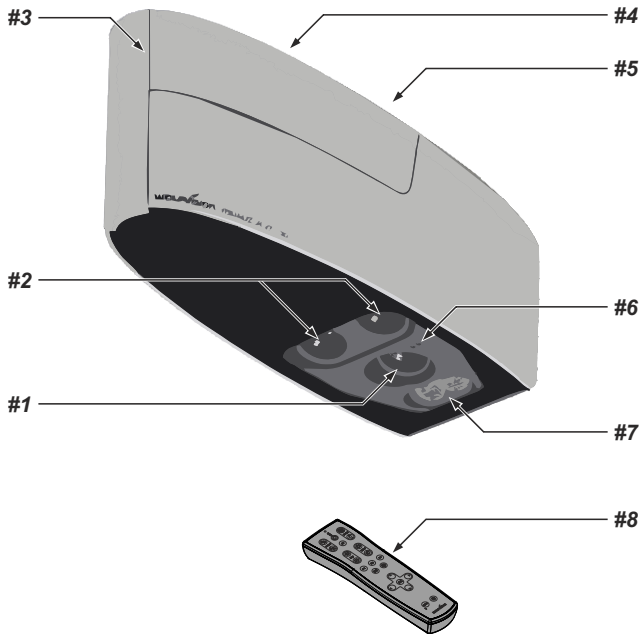
Änderungen an diesem Dokument bleiben vorbehalten.

Haftungsausschlussklärung: WolfVision ist nicht haftbar für technische und redaktionelle Fehler und Unvollständigkeit.

Die Geräte sind "MADE IN EU/AUSTRIA"

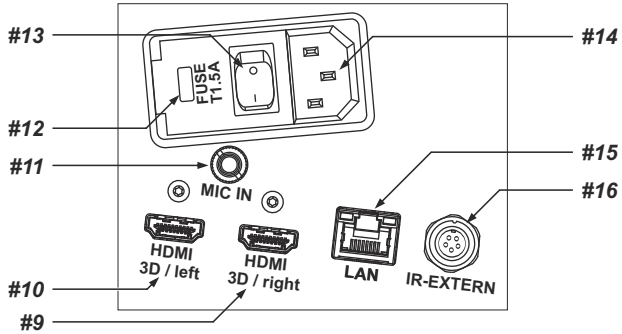
Gedruckt in Österreich, Februar 2015

Teile des Decken-Visualizers



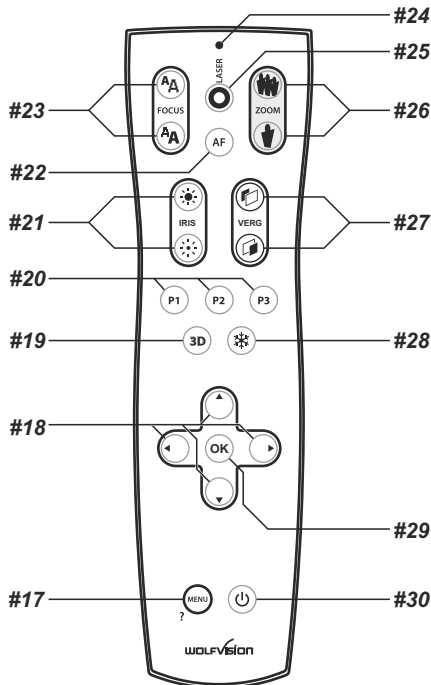
- #1 **Objektiv für das synchronisierte Lichtfeld**
- #2 **Kameraobjektive** zwei identische Kamerasysteme für stereoskopischen Effekt (Zwillingskamera)
- #3 **Abdeckung** um die Kabel und den Deckenhänger zu verstecken
(vorsichtig nach oben schieben, mit Stahlseil gesichert)
- #4 **Anschlüsse und Hauptschalter** (hinter der Abdeckung, siehe nächste Seite)
- #5 **Adapter für den Deckenhänger** zur Montage des Visualizers an den Deckenhänger
(siehe Montageanleitung)
- #6 **Power LED** (siehe Seite 6) und **IR-Empfänger** (siehe Seite 13, externer IR-Empfänger)
- #7 **Fixlicht (Ambient Light)** (siehe Seite 8)
- #8 **IR-Fernbedienung** (siehe Seiten 4, 5 und 15)

Anschlüsse und Hauptschalter (#4)



- #9 HDMI Right Ausgang Rechts (siehe Seite 12)
- #10 HDMI Left Ausgang Links (siehe Seite 12)
- #11 MIC IN Mikrofoneingang (siehe Seite 13)
- #12 Sicherungen (siehe Seite 15)
- #13 Hauptschalter
- #14 Stromanschluß (Multirange von 100 bis 240VAC)
- #15 LAN Anschluss 10/100 Tbase (siehe Seiten 11 und 13)
- #16 IR-EXTERN Eingang für zusätzlichen IR-Sensor (siehe Seite 13)

Infrarot Fernbedienung (#8)



Tasten auf der Infrarot Fernbedienung

#17 **MENU Taste**

Kurzes Drücken aktiviert das On-Screen Menü (*siehe Seite 14*).

#18 **MENÜ NAVIGATIONS Tasten**

Zum Navigieren innerhalb des On-Screen Menüs (*siehe Seite 14*).

#19 **3D Taste**

Wechselt zwischen 3D und 2D Bildmodi (*siehe Seite 12*).

#20 **PRESET Tasten (programmierbare Einstellung)**

Kurzes Drücken = Preset abrufen

Mehr als 2 Sekunden drücken = Preset speichern (*siehe Seite 9*).

#21 **Manuelle IRIS Tasten (Blende, Helligkeitseinstellung)**

Wenn die IRIS-Tasten gedrückt werden, schaltet der Visualizer die Autoiris-Funktion ab. Beim nächsten Betätigen der Zoom-Tasten wird die Autoiris-Funktion wieder eingeschaltet (*siehe Seite 9*).

Für Spezialisten: Das Verhalten der Iris und der Basis-Iris-Level können im On-Screen Menü geändert werden (siehe Seite 14).

#22 **AUTO FOKUS (AF) Taste**

Durch Drücken der AF-Taste wird Autofokus aktiviert (*siehe Seite 9*).

#23 **Manuelle FOKUS Tasten**

Zum Fokussieren des Kamerabildes (*siehe Seite 9*).

#24 **LASER POINTER LED**

Statusanzeige des Laserpointers.

#25 **LASER POINTER Taste**

Wichtig: Nicht direkt in den Laserstrahl blicken. Dies kann Ihre Augen schädigen!

#26 **ZOOM Tasten**

Durch Drücken einer der ZOOM Tasten wird die Autoiris wieder aktiviert.

#27 **VERG Tasten**

Für die Konvergenzeinstellung / Tiefe des 3D-Effektes (*siehe Seite 12*).

#28 **FREEZE Taste**

Friert das aktuelle Bild ein (*siehe Seite 9*).

#29 **OK Taste (Enter)**

Für die Bestätigung von Menüeinstellungen und für den Einstieg in Untermenüpunkte (*siehe Seite 14*).

#30 **POWER Taste**

Schaltet das Gerät ein und aus. Beim Einschalten wird der Power-on Preset ausgeführt.

Verschiedene IR-Codes

Wenn Sie mit mehreren Visualizern im selben Raum arbeiten möchten, dann sollten die Geräte auf unterschiedliche IR-Codes gestellt werden, um die Geräte einzeln ansteuern zu können. Der IR-Code des Gerätes muss mit dem der Fernbedienung übereinstimmen.

Ändern Sie im On-Screen Menü "Erweiterte Einstellungen / Diverse Einstellungen", den IR-Code auf die gewünschte Einstellung (Code A ist Standard).

Ändern Sie auch den Code der Fernbedienung durch gleichzeitiges Drücken der Tasten **PRESET 1**, **PRESET 2 (#20)** und **ZOOM TELE (#26)** um den Code von A nach B, C, D ... A usw. zu schalten.

Um die Fernbedienung auf Code A zurückzusetzen, drücken Sie die Tasten **PRESET 1**, **PRESET 2 (#20)** und **ZOOM WIDE (#26)** gleichzeitig.

Die Laserpointer LED zeigt den gewählten Code durch mehrmaliges Blinken (einmal blinken für Code A, zweimal blinken für Code B, dreimal für Code C und viermal für Code D).

Inbetriebnahme - Vorbereitungen

1. Netzkabel am Gerät (#14) anstecken und am Netz anschließen.
2. 3D-Monitor oder 3D-Projektor an den Ausgängen anschließen.
Zur Wahl des richtigen / besten Ausgangsmodi lesen Sie bitte die Seite 12!
3. Den Hauptnetzschalte (#13) auf "I" stellen.
(Die POWER LED zeigt den Betriebszustand: rot = StandBy, grün = voll Betrieb).
4. Bei Standardeinstellung startet der Visualizer automatisch in den Vollbetrieb sobald er an das Stromnetz angeschlossen wird.
Ansonsten den Visualizer mit der Power Taste (#30) der Fernbedienung einschalten.
5. Der Visualizer justiert sich nun auf den "Power-On Preset"

Power-On Preset:

Automatisches Zoomen auf eine mittlere Zoomposition auf der Arbeitsfläche (die Aufnahmegröße ist abhängig von der Montagehöhe des Visualizers). Sobald die POWER LED durchgehend grün leuchtet, ist der Visualizer betriebsbereit.

(Das Verhalten des Gerätes beim Einschalten oder nach dem Drücken der POWER-Taste kann im On-Screen Menü geändert werden (*siehe Seite 14*).

Erstmaliges Einschalten des Visualizers - Setup Assistent

Beim ersten Einschalten des Visualizers startet der Setup Assistent (Quick Setup Guide) automatisch (On-Screen Menü am HDMI Ausgang). Navigieren Sie mit den Pfeil Tasten durch dieses Menü.

Die Einstellungen sind:

Sprache (Language)

Wählen Sie die gewünschte Sprache für das On-Screen Menü.

Höheneinstellung (Height Adjustment)

Diese Einstellung ist nur einmalig vorzunehmen - bei der Installation des Gerätes, außer der Abstand zwischen Visualizer und Arbeitsfläche wird verändert.

Für die meisten Installationen empfiehlt WolfVision die Funktion „Automatischer Höhenabgleich“. Sollte der Visualizer die Justage nicht zufriedenstellend ausführen können (z.B. sehr helles Umgebungslicht), so benutzen Sie bitte den manuellen Höhenabgleich statt dessen. Die Höheneinstellung kann jederzeit wiederholt werden (On-Screen Menü unter: Erweiterte Einstellungen / Höhen Einstellung)..

Netzwerk Einstellungen (Ethernet Settings)

Die IP-Adresse, Subnetzmaske und die Gateway IP-Adresse kann von einem DHCP-Server automatisch bezogen oder manuell gesetzt werden.

Einschaltverhalten

Die Kameras des Visualizers können auf die Netzfrequenz (50Hz / 60Hz) optimiert werden um ein Bildflackern zu reduzieren.

Zeit Einstellung (Time Settings)

Der Visualizer hat eine eingebaute Uhr bietet aber auch die Möglichkeit der Verwendung eines externen TimeServers (Voraussetzungen: gültige TimeServer IP-Adresse und eine Internetverbindung)..

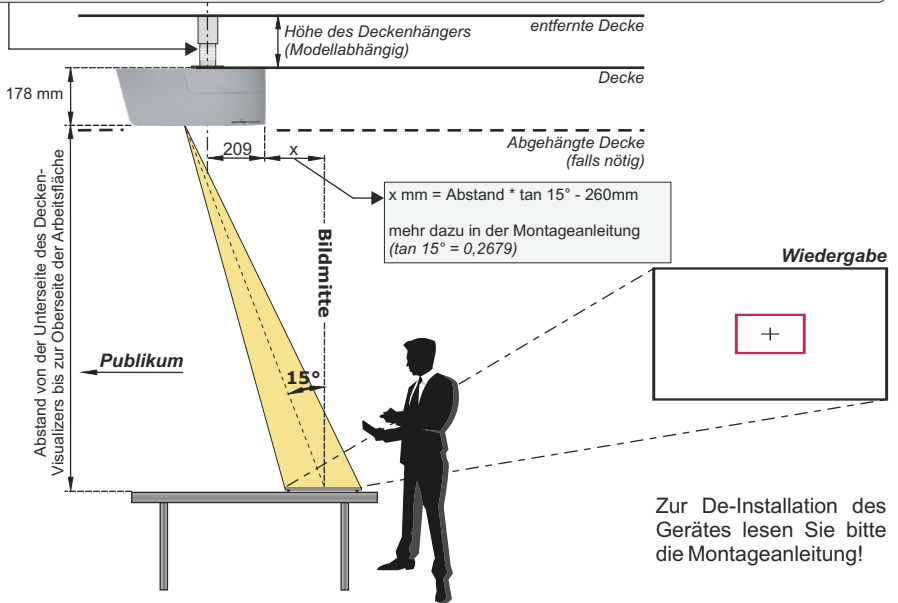
Bitte beachten: Die Höheneinstellung ist nur einmalig vorzunehmen. Sie muss nur dann wiederholt werden, wenn der Abstand zwischen Visualizer und Arbeitsfläche verändert wird.

- Mehr Informationen über diese Einstellung finden Sie in der Montageanleitung

Installation

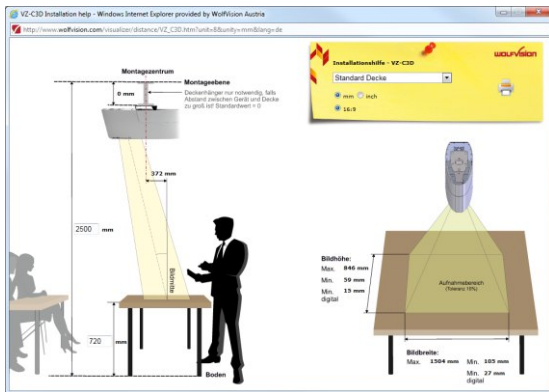
Bitte lesen Sie zuerst die Montageanleitung zur Installation des Gerätes an der Decke durch. Die Bildgrößen, die das Gerät aufnehmen kann, sind nicht fix. Sie sind abhängig vom Abstand zwischen der Arbeitsfläche und der Unterseite des Visualizers. Die Tabelle in der Montageanleitung zeigt das Verhältnis zwischen Montagehöhe und Aufnahmegröße:

In extrem hohen Räumen ist das kleinste Bild, welches das Gerät abtasten kann, möglicherweise nicht klein genug. In solchen Fällen kann der Decken Visualizer mit einem Standard Deckenhänger oder Projektorlift von der Decke abgehängt werden.



Zur De-Installation des Gerätes lesen Sie bitte die Montageanleitung!

Verwenden Sie das Rechenprogramm auf der WolfVision Homepage um die exakte Position und Bildgröße zu berechnen:



Diese Werte können geringfügig abweichen, da die Stellung des Fokus die Bildgröße beeinflussen kann. Ebenso sollte die Maskierung des Projektors oder Monitors berücksichtigt werden (unter "Maskierung" versteht man das leichte Beschneiden der Bildränder). Theoretisch sind auch höhere Abstände als 2200 mm möglich, jedoch mit den Nachteilen, dass das Bild zu groß und das Licht zu schwach werden würde.

Synchronisiertes Lichtfeld

Bei Verwendung des Visualizer-Lichtes markiert ein synchronisiertes Lichtfeld den Aufnahmebereich der eingebauten Kameras auf der Arbeitsfläche.

Da die Kameras und der Lichtprojektor in einem bestimmten Winkel zueinander stehen, verschiebt sich das Lichtfeld an den oberen Bildrand wenn sich der Abstand des aufgenommenen Objektes zum Gerät verkürzt (bei Aufnahme hoher Objekte).

Das bedeutet, dass das Licht nicht mehr genau den Aufnahmebereich zeigt. In diesem Fall sollte das Licht des Visualizers mit der programmierten PRESET Taste (*LIGHT*) abgeschaltet werden um nur mit Raumlicht arbeiten zu können.

Fixlicht (Ambient Light)

Das Fixlicht dient der Erhöhung der Beleuchtungsstärke auf der Arbeitsfläche.

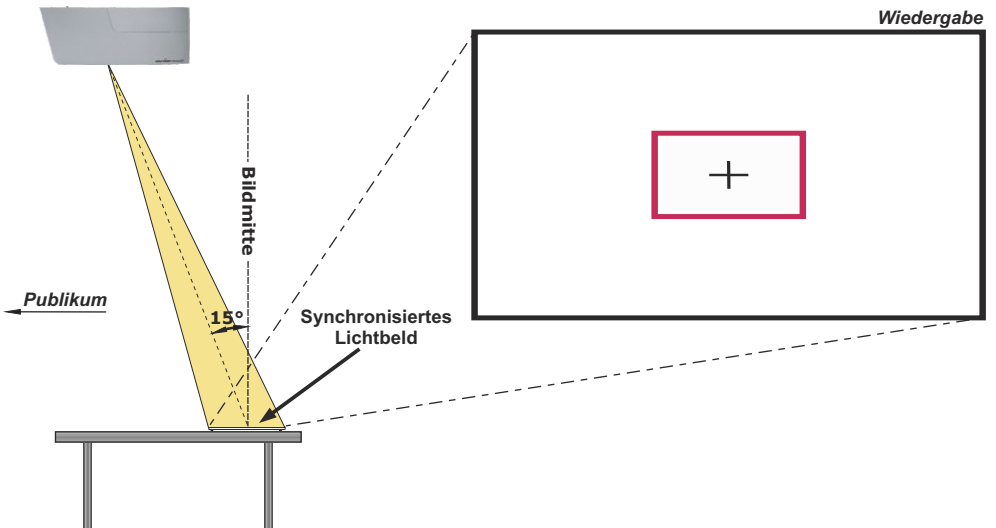
Das Fixlicht kann den Aufnahmebereich nicht exakt markieren.

Bei Standardeinstellung wird das Fixlicht bei Erreichen des Zoomfaktors x12 abgeschaltet.

Das Verhalten des Fixlichtes kann im On-Screen Menü geändert werden (siehe Seite 14).

Aufnahmebereich auf der Arbeitsfläche

1. Das **synchronisierte Lichtfeld** markiert den Aufnahmebereich auf der Arbeitsfläche. Platzieren Sie die zu präsentierende Vorlage auf der Arbeitsfläche in das Lichtfeld. *Das Lichtfeld ist geringfügig größer als das Aufnahmefeld (physikalische Gründe).*
2. Wählen Sie die gewünschte Vergrößerung mit den ZOOM Tasten (#26).
3. Falls notwendig, mit den FOCUS Tasten (#23) die Schärfe einstellen.



Fokussierung / Autofokus

Beim Einschalten des Visualizers wird automatisch auf das aufgenommene Objekt fokussiert. Bitte beachten Sie, dass kontrastschwache Objekte (wie z.B. ein leeres Blatt Papier) schwierig zu fokussieren sind.

Für spezielle Anwendungen kann der Autofokus mit der AF Taste (#22) deaktiviert werden. Der Autofokus wird ebenfalls abgeschaltet, sobald eine der manuellen FOKUS Tasten (#23) verwendet wird.

Zoom optisch / Digital

Der Visualizer verfügt über ein **optisches 15-fach Zoom**, der Zoombereich wird durch ein digitales 4-fach Zoom auf ein **60-fach Zoom** erweitert. Die Größe des Aufnahmebereiches ist abhängig von der Distanz zwischen Visualizer und aufgenommenen Objekt.

Beim Einzoomen stoppt die Zoomfunktion bei Erreichen des optischen Endanschlages, bei weiterem Einzoomen wird das Digital-Zoom automatisch aktiviert. Bitte beachten Sie, dass im digitalen Zoombereich die Auflösung nicht mehr so hoch ist wie im optischen Zoombereich.

Das Verhalten bei Erreichen des Überganges optisches Zoom / digitales Zoom kann im On-Screen Menü geändert werden (siehe Seite 14).

Optische Zoomerweiterung (Wide)

Das optische Zoom ist standardmäßig auf Faktor 12x begrenzt.

Beim Auszoomen stoppt die Zoomfunktion bei Erreichen des Zoomfaktors x12, bei weiterem Auszoomen wird die Zoomerweiterung automatisch aktiviert und das Fixlicht wird abgeschaltet.

Die Eigenschaften der Zoomerweiterung und des Fixlichtes können im On-Screen Menü geändert werden (siehe Seite 14).

Auto Iris / Manual Iris

WolfVision Visualizer sind mit einer Auto Iris Funktion ausgestattet.

Das heißt, dass sich die Helligkeit des Kamerabildes immer automatisch einstellt. Durch Betätigen der IRIS Tasten (#21) wird die Auto Iris Funktion abgeschaltet und somit kann die Iris manuell bedient werden.

Durch betätigen einer der ZOOM-Tasten (#26) wird die Auto Iris Funktion wieder eingeschaltet.

Der Standard der Auto Iris Einstellung kann im On-Screen Menü heller oder dunkler gestellt werden - *siehe Seite 14.*

Freeze (Standbild)

Das aktuell gezeigte Live-Bild kann durch Drücken der FREEZE Taste (#28) eingefroren werden.

Während das eingefrorene Bild gezeigt wird, kann das nächste Objekt vorbereitet werden.

Preset Funktion

WolfVision Visualizer bieten die Möglichkeit, die augenblicklichen Einstellungen als Preset abzuspeichern und über die entsprechende PRESET Taste (#20) der Fernbedienung wieder abzurufen.

Um eine Preset-Einstellung zu programmieren, stellen Sie zuerst alle gewünschten Einstellungen ein und drücken dann eine der Preset-Tasten für mehr als 2 Sekunden. Am Bildschirm erscheint eine Meldung, sobald die Einstellungen übernommen wurden.

Tipp: zusätzlich zur Zoomposition wird auch der Konvergenzwert gespeichert.

Im Gegensatz zu der hier erwähnten Preset Speicherung, bei der alle augenblicklichen Einstellungen wie Zoom, Focus, Iris etc. mitgespeichert werden, können den PRESET-Tasten auch einzelne Funktionen wie z.B.: „NEGATIVE“, „NEGATIVE/BLUE“, „BLACK/WHITE“, „LIGHT“, „AUFNAHME START“, „AUFNAHME PAUSE“, „AUFNAHME STOP“, etc. im On-Screen Menü zugewiesen werden (*siehe Seite 14*).

Weißabgleich

Eine korrekte Weißabgleich-Einstellung ist sehr wichtig für eine exakte Farb-Wiedergabe!

Immer wenn sich die Lichtbedingungen ändern, muss die Kamera des Visualizers einen Weißabgleich durchführen um korrekte Farben wiedergeben zu können. Die Lichtbedingungen (Farbtemperatur) ändern sich z.B. wenn zwischen dem Licht des Visualizers und einer externe Lichtbox (optionales Unterlicht) gewechselt wird, oder wenn die Raumbelichtung ein- bzw. ausgeschaltet wird.

Die Standardeinstellung des Visualizers ist „**Auto Tracking**“ Weißabgleich. Das heißt, dass der Weißabgleich ständig automatisch nachjustiert wird.

Für einen exakten Weißabgleich sollten mindestens 10% des aufgenommenen Bildes weiß sein. Für eine präzise, fixe Weißabgleichseinstellung verwenden Sie den "One-Push"-Weißabgleich (=Weißabgleich auf Knopfdruck). Der "One-Push"-Weißabgleich wird durch Drücken der programmierten PRESET Taste (*LIGHT*) für 2 Sekunden ausgeführt. Nach Speichern des neuen Weißwertes erscheint eine Meldung auf dem Bildschirm und der "Auto Tracking" Modus wird abgeschaltet (nach Aus- und Einschalten des Gerätes wird "Auto Tracking" wieder aktiviert).

Normalerweise ist es nicht nötig, einen manuellen Weißabgleich durchzuführen. Wenn jedoch die Farben auf Ihrem Bildschirm falsch erscheinen, sollte ein manueller (One-Push) Weißabgleich durchgeführt werden:

Tipps beim Ausführen eines One-Push Weißabgleiches:

Oberlicht (Raumlicht): Zoomen Sie auf einen weißen Gegenstand (z.B. weißes Blatt Papier), bis das gesamte Bild weiß ist und drücken dann die programmierte PRESET Taste (*LIGHT*) für 2 Sekunden.

Optionale Lichtbox mit Overheadfolien: Schalten Sie das Visualizer-Licht mit der programmierten PRESET Taste (*LIGHT*) aus und die Lichtbox ein. Entfernen Sie alles von der Arbeitsfläche und zoomen Sie auf die kleinste Bildgröße, bis das gesamte Bild weiß ist und drücken dann die programmierte PRESET Taste (*LIGHT*) für 2 Sekunden.

Optionale Lichtbox mit Röntgenbildern: Schalten Sie das Visualizer-Licht mit der programmierten PRESET Taste (*LIGHT*) aus und die Lichtbox ein. Positionieren Sie das Röntgenbild auf der Arbeitsfläche und zoomen Sie hinaus bis das gesamte Bild abgetastet wird und drücken dann die programmierte PRESET Taste (*LIGHT*) für 2 Sekunden.

Bitte beachten Sie: Falsche Farben können auch auf falsche Monitor- oder Projektor-Einstellungen zurückzuführen sein. Es wird empfohlen, zuerst beim Visualizer einen manuellen Weißabgleich durchzuführen und wenn dieser kein zufriedenstellendes Resultat liefert, die Einstellungen des Monitors oder Projektors zu überprüfen.

Für Spezialisten: Im On-Screen Menü des Visualizers (siehe Seite 14) kann zwischen den Weißabgleichs-Arten "Auto Tracking", "One Push" und "Manual" umgeschaltet werden. Wenn Sie mit Negativfilmen auf einer Lichtbox arbeiten, benutzen Sie einen leeren (dunklen) Teil des Filmes für den Weißabgleich. Der "One-Push"-Weißabgleich wird für das eingebaute Licht und ausgeschaltetem Visualizer Licht separat eingestellt und abgespeichert.

Lichtbox (optional)

Wenn eine Lichtbox benutzt wird, sollte das Licht des Decken Visualizers mit der programmierten PRESET Taste (*LIGHT*) abgeschaltet werden. Der Gebrauch einer Lichtbox hat den Nachteil, dass das synchronisierte Lichtfeld des Visualizers den Aufnahmebereich der eingebauten Kameras nicht mehr angibt.

Für den Decken Visualizer empfiehlt sich die Verwendung der WolfVision Lichtbox LB-38.

Stream über das Netzwerk senden

Der Visualizer hat einen eingebauten Streaming-Server um Bildinhalte über das Netzwerk zu senden (Broadcast).

Stellen Sie eine Netzwerkverbindung her und öffnen Sie das On-Screen Menü „Erweiterte Einstellungen“ / „Streaming Einstellungen“. Hier kann die Ziel IP-Adresse (Empfänger des Streams) eingetragen werden (Multicast: 225.0.0.0 bis 238.255.255.255; mit allen anderen Adressen kann nur die eingetragene Adresse den Stream empfangen; die Adressen 224.x.x.x und 239.x.x.x sind reserviert und dürfen nicht verwendet werden). Wählen Sie hier auch den zu verwendenden Port, Streaming Inhalt und die Bild-Rate.

Mit der Mode-Einstellung „AUTO“ sendet der Visualizer den Stream nur auf Anfrage (OnDemand). Die WolfVision Software vSolution Link und die meisten Internetbrowser starten den Stream automatisch. Sollte der verwendete Browser oder eine sonstige Fremd-Applikation (Media Player) den Stream nicht starten können, ändern Sie die Einstellung Modus=DAUERND um den Stream permanent zu senden (beachten Sie den resultierenden Netzwerkverkehr).

Die Einstellungen Streaming Inhalt (2D/3D) und Bild-Rate beeinflussen den resultierenden Netzwerkverkehr.

Um den Stream in einer Fremdapplikation zu sehen, geben Sie die Netzwerk URL im Adressfeld ein:

Internet Browser, Beispiel: **http://192.168.0.2**

Die IP-Adresse ist die IP-Adresse des Visualizers (On-Screen Menü *Erweiterte Einstellungen / Netzwerk Einstellungen*). Der Visualizer sendet (streamt) den aktuell gezeigten Bildinhalt (Livebild der Kamera) über das Netzwerk.

Media Player, Beispiel (VLC-Player): **udp://@225.0.0.0:8800**

Die IP-Adresse ist die Ziel IP-Adresse des Visualizers (On-Screen Menü *Erweiterte Einstellungen / Streaming Einstellungen*). Stellen Sie den Modus auf DAUERND und der Visualizer sendet (streamt) den aktuell gezeigten Bildinhalt (Livebild der Kamera) über das Netzwerk.

Technischer Hintergrund: UDP Multicast arbeitet wie ein Broadcast bei dem viele Clients denselben Video Stream empfangen können. Die Bandbreite bleibt hier immer dieselbe, egal wie viele Computer (Clients) verbunden sind. Da viele Router UDP Multicast jedoch nicht unterstützen, kann UDP Unicast als Punkt-zu-Punkt Verbindung verwendet werden (nur ein Empfänger ist möglich).

Im TCP Singlecast Modus baut jeder Computer einzeln eine Verbindung mit dem Visualizer auf. Wenn viele Computer verbunden sind benötigt dies jedoch eine hohe Bandbreite (max. 128 Verbindungen).

Tipps:

Für vollen Funktionsumfang wird JAVA Version 7 (oder höher) bei Benutzung mit dem Browser benötigt.

Für vollen Funktionsumfang werden folgende Ports benötigt: 80, 123, 50000, 50913, 50914, 50915, 50921 und 8800 (Standard).

Die verwendete IP-Adresse und die verwendeten Ports dürfen nicht durch eine Firewall blockiert sein.

Manche Netzwerkrouter können Multicast Streams nicht weiterleiten.

Video - Aufnahme von Video Clips

Der Visualizer unterstützt Videoaufnahme im Multimedia-Container Format inklusive Audio. Weisen Sie die Aufnahmefunktionen den PRESET Tasten zu und starten Sie mit „Aufnahme“. Die Aufnahme kann mit „PAUSE“ pausiert und fortgesetzt werden. Die Aufnahme wird mit der „STOP“ beendet.

Die aufgezeichneten Videodateien können am Computer mit entsprechender Software wiedergegeben und bearbeitet werden. Der Computer muss sich im selben Netzwerk wie der Visualizer befinden. Öffnen Sie den Dateieexplorer und geben Sie die IP-Adresse des Visualizers ein: \\xxx.xxx.xxx.xxx\data.

Beispiel: \\192.168.0.100\data

Tipps:

Das Video wird mit FullHD, Side-By-Side aufgezeichnet (Video Codec Motion-JPEG (MJPG)).

Jede Datei wird mit Datum und Zeitstempel benannt (JJMMDD-hhmmss). Beispiel: 150209-094735.avi

On-Screen Meldungen zeigen den aktuellen Aufnahmestatus: Aufnahme, Pause oder Stop.

Der Visualizer benutzt den eingebauten SSD-Speicher mit 500GB (für ca. 8 Stunden, Inhaltsabhängig).

Streaming wird bei Aufnahmestart gestoppt.

Bei jeder Video-Aufnahme wird eine Video-Datei aufgezeichnet. Und bei Übersteigen einer Dateigröße von 2GB wird automatisch eine neue Datei erstellt.

Videoaufnahme und Netzwerkstreaming kann nicht gleichzeitig verwendet werden.

HDMI Ausgang

Wahl des richtigen Ausgangs-Modus

Die HDMI Ausgänge Left/3D und Right/3D (#9 und #10) können folgende Formate ausgeben, immer in der Auflösung 1920x1080 Pixel (16:9 Widescreen FullHD):

- Side By Side	bei 30Hz, 50Hz oder 60Hz	3D-Auflösung
- Line Alternate	bei 30Hz oder 60Hz	3D-Auflösung
- Page Flip	bei 30Hz oder 60Hz	3D-Auflösung
- Left / Right	bei 30Hz oder 60Hz	3D-Auflösung (separate Ausgabe von links und rechts)
- Frame Packing	bei 24Hz oder 30Hz	3D-Auflösung
- Top and Bottom	bei 24Hz, 30Hz oder 60Hz	3D-Auflösung
- Transparent	bei 30Hz oder 60Hz	2D-Auflösung (spezieller Modus zur Fehlersuche)
- Left	bei 30Hz oder 60Hz	2D-Auflösung
- Right	bei 30Hz oder 60Hz	2D-Auflösung

Folgen Sie den Hinweisen in der Bedienungsanleitung der angeschlossenen Geräte um den passendsten Modus zu ermitteln!

Beachten Sie auch die Warnhinweise in der Benutzerinformation der angeschlossenen Geräte!

Wichtig: Ausschlaggebend ist die tatsächliche Auflösung des Projektors oder Monitors, nicht die maximale Auflösung die dieser (im komprimierten Modus) darstellen kann. Die tatsächliche Auflösung ist die effektive Pixel-Anzahl des eingebauten LCD-Displays oder des DLP-Chips Ihres Projektors oder Monitors. Die meisten LCD- oder DLP-Projektoren können auch höhere Bildauflösungen, welche ihre tatsächliche Pixel-Anzahl überschreiten, darstellen - jedoch nur im komprimierten Modus mit weit schlechterer Bildqualität.

Nur vom Wiedergabegerät unterstützte Modi wählen!

Konvergenz

Die Tiefe des 3D-Effektes wird mit den VERG Tasten (#27) eingestellt indem die beiden Kameras zueinander verschoben werden.

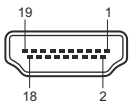
Als Einstellhilfe kann das Disparitätsgitter im On-Screen Menü aktiviert werden (siehe Seite 14).

3D Taste

Die Taste (#19) dient dem einfachen Wechsel zwischen 3D und 2D Modus.

Die gewünschten 2D/3D Modi müssen zuvor im On-Screen Menü gewählt werden.

HDMI Anschluss (#9 und #10)



19-Pol HDMI
Buchse am Gerät
(Ansicht von vorne)

1 - T.M.D.S. Data2+	8 - T.M.D.S. Data0 Shield	15 - SCL (I ² C Serial Data Line for DDC)
2 - T.M.D.S. Data2 Shield	9 - T.M.D.S. Data0-	16 - SDA (I ² C Data Line for DDC)
3 - T.M.D.S. Data2-	10 - T.M.D.S. Clock+	17 - DDC Ground
4 - T.M.D.S. Data1+	11 - T.M.D.S. Clock Shield	18 - DC+5V (max. 50mA)
5 - T.M.D.S. Data1 Shield	12 - T.M.D.S. Clock	19 - Hot Plug detect
6 - T.M.D.S. Data1-	13 - Reserved	
7 - T.M.D.S. Data0+	14 - Reserved	

GEC (Consumer Electronic Control), ARC (Audio Return Channel) und HEC (HDMI Ethernet Channel) werden nicht unterstützt.

HDMI Verschlüsselung - HDCP

Die Verschlüsselung HDCP (High-bandwidth Digital Content Protection) wird nicht unterstützt.

Die proprietäre HDCP-Verschlüsselungsmethode wird unter anderem für Hi-Definition Hollywood Filme und Pay-per-View Übertragungen verwendet. Durch HDCP erfolgt keine Beeinflussung von unverschlüsselten Signalen.

Das Umgehen der Sicherheitssysteme ist nicht erlaubt.

Copyrightinhaber ist Digital Millennium Copyright Act (DMCA)

MIC IN (#11)



L Der Visualizer kann Audioinhalte der Videoaufnahme hinzumischen. Verbinden Sie hierzu das
R Mikrofonsystem mit dem Eingang des Visualizers und starten die Aufnahme.
GND Pegel: max. 1V_{RMS} @ 10kOhm (Stereo, unsymmetrisch)

Tipp:

Bei manchen Mikrofonsystemen wird ein Vorverstärker benötigt.

Bei Auftreten von Brummgeräuschen, verursacht durch Masseschleifen, liegt die Ursache meist an der Installation. Kann die Ursache nicht gefunden werden, sollte ein Massetrennfilter der Audio-Leitung hinzugefügt werden.

Übertragungsbereich: 20Hz~20kHz bei +/-3dB / 300Hz~10kHz bei +/-1dB

Übertragungsrate: 1:1

Ethernet / LAN Anschluss (#15)

10BASE-T/100Base-TX

Der LAN Anschluss ermöglicht die Integration des Visualizers in ein internes Computernetzwerk. Für die Kommunikation über das Internet wird eine offizielle (WAN) IP-Adresse benötigt.

Administratoren einer größeren Anzahl von Visualizern schätzen besonders die Möglichkeit, über den LAN-Anschluss alle Visualizer in ihrem Netzwerk von einem Desktop PC in ihrem Büro aus zu warten. Die Liste der Anwendungsmöglichkeiten des LAN-Anschlusses wächst ständig: Steuerung, Übertragung /Speicherung von Standbildern und Video Streams, Firmware Updates, Menü Einstellungen, Wartung etc. (manche Funktionen werden nur mittels vSolution Link unterstützt).

Folgende Protokolle werden unterstützt: TCP/IP, IGMP, UDP und ARP.

Unterstützte (getestete) Browser: Windows Internet Explorer, Firefox, Chrome und Safari.

Standardmäßig ist DHCP aktiviert um die Netzwerkeinstellungen automatisch zu beziehen.

Mögliche maximale Auflösung bis zu FullHD (1080p) bei unterschiedlichen 2D und 3D Formaten.

Der Visualizer unterstützt Wake On LAN (WOL) mittels der Software vSolution Link by WolfVision.

Sicherheit der Netzwerkfunktionen

Die Netzwerkfunktionen können eingeschränkt und mit einem Passwort geschützt werden.

Im On-Screen Menü unter Erweiterte Einstellungen / Netzwerkeinstellungen / Zugriffsrechte kann nach Eingabe des gültigen Admin Passwortes die Funktionalität limitiert werden. Zudem kann dann auch das Admin Passwort geändert werden.

Notieren Sie das geänderte Passwort! Nur WolfVision kann ein vergessenes Passwort zurücksetzen!

Das Standard Passwort lautet „Password“ für Admin und Gast.

Raumsteuerungssysteme

Der LAN Anschluss (#15) kann zur Steuerung des Visualizers über externe Systeme, wie Raumsteuerungssysteme von Konferenzräumen, benutzt werden.

Das komplette Protokoll finden Sie auf der WolfVision Homepage unter: www.wolfvision.com (Support).

Externer Infrarot (IR) Empfänger (#16)

In manchen Räumen funktionieren der eingebauten Infrarot Empfänger (#6) nicht gut genug. In einem solchen Fall kann der mitgelieferte externe Infrarot Empfänger an die **IR-SENSOR** Buchse (#15) angeschlossen werden. Der externe Empfänger sollte irgendwo an der Decke (oder im Raum) platziert werden, wo der Benutzer normalerweise mit der Fernbedienung hinzielt.

Die nachfolgenden Kapitel sind nur für technisch versierte Anwender: ON-SCREEN MENÜ (Kamera Menü) / ON-SCREEN HILFE

Für normale Standardanwendungen des WolfVision Visualizers ist es nicht notwendig, im On-Screen Menü Einstellungen vorzunehmen. Unerfahrene Anwender sollten hier keine Änderungen durchführen..

Drücken Sie die MENU Taste (#17) um in das On-Screen Menü zu gelangen. Einstellungen können nun mit den 4 Menü-Navigations-Tasten (#18) und der OK Taste (#29) vorgenommen werden.

Wenn Sie weitere Informationen über eine Funktion im On-Screen Menü benötigen, dann setzen Sie den Cursor in die entsprechende Zeile und halten die MENU / ? Taste (#17) gedrückt bis der Hilfetext angezeigt wird. Um die Hilfsfunktion zu beenden halten Sie die MENU / ? Taste erneut bis das Menü wieder dargestellt wird.

Durch Drücken der MENU Taste für 4 Sekunden erscheint das Extra Menü. Im Extra Menü können unter anderem die Werkseinstellungen aufgerufen werden. Durch Aufruf der Werkseinstellungen werden alle Einstellungen wie auch Auflösung und IP Adressen zurückgesetzt.

Die einzelnen Funktionen des Menüs sind in dieser Anleitung nicht im Detail beschrieben, da die Hilfe-Funktion ein integrierter Bestandteil der Visualizer Software (Firmware) ist. Die im Bild eingeblendeten Hilfetexte entsprechen der installierten Gerätesoftware (Firmware) des Visualizers.

Belichtungseinstellungen

Ändert Einstellungen mit Auswirkung auf die Bildhelligkeit wie z. B. Verstärkung, Belichtungszeit, automatische Blende, Bildhelligkeit und Gegenlichtkompensation.

Farbeeinstellungen

Ändert Einstellungen mit Auswirkung auf die Farbwiedergabe der Kamera wie z. B. Weißabgleich, Farbwiedergabemodi und Positiv/Negativ.

Tipp:

Falls Ihnen das Bild auf Ihrem Bildschirm zu hell oder zu dunkel erscheint beziehungsweise die Farbsättigung nicht stimmt, kann der Farbmodus geändert werden.

Für bessere Lesbarkeit von handgeschriebenen Texten kann der BLAU Modus verwendet werden.

Ausgangseinstellungen

Ändert Einstellungen mit Auswirkung auf die Ausgangssignale wie Schärfe und Auflösung.

Tipp:

Die Auflösungsstestfunktion hilft zur Erkennung der vom Wiedergabegerät unterstützten Auflösungen. Die gewählte Auflösung wird nur temporär für 10 Sekunden aktiviert.

Voreinstellungen (Preset)

Den Preset Tasten können auch andere Funktionen wie "Weißabgleich", "Schwarzweiß", "Licht", etc. zugewiesen werden. Es können hier auch die Ursprünglichen Einstellungen wieder hergestellt werden.

Erweiterte Einstellungen

Ändert Einstellungen mit Auswirkung auf das Einschaltverhalten, Zoom, Netzwerk, Zeit/Datum und den Höhenabgleich.

Tipp:

Ändern des Ausschaltzustandes auf "TIEF" spart im StandBy Modus zusätzlich Energie.

Unter "Geräte Info" finden Sie Informationen wie die Versionsnummer der aktuell installierten Firmware.

Grundeinstellungen Herstellen

Bei Aufruf werden alle bildbeeinflussenden Einstellungen zurückgesetzt. Einstellungen welche die Kommunikation mit anderen Geräten beeinflussen, wie Auflösung und Netzwerkeinstellungen, werden nicht zurückgesetzt.

Setup Assistenten Starten (Quick Setup Guide)

Der Setupassistent wird bei der ersten Inbetriebnahme automatisch gestartet und kann jederzeit im Menü manuell ausgeführt werden. Der Assistent führt Sie durch Grundeinstellungen wie Höhenabgleich, Netzwerk, Sprache und Zeit/Datum.

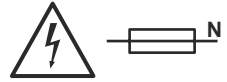
WARTUNG

Austausch der Sicherungen

Ziehen Sie das Netzkabel (#14) vor dem Tausch der Sicherungen!

Die Sicherungen (#12) befinden beim Netzanschluss.

Die Abdeckung kann mit einem Schraubendreher (etc.) einfach geöffnet werden. Die Sicherungen sind vorsichtig in den Sockel einzulegen und der Sockel muss korrekt in den Halter gesteckt werden.



Sicherungs-Typ: T 1.5A. Verwenden Sie ausschließlich diesen Typ!

Falls die neue Sicherung beim Einschalten erneut durchbrennen sollte, kontaktieren Sie bitte Ihren WolfVision Visualizer Händler!

WICHTIG

Reinigung

Gehäuse: Staub und Schmutz mit einem weichen Tuch abwischen.

Abdeckglas: Staub und Schmutz mit einem weichen fusselfreien Tuch abwischen (keine Papiertücher!). Normalerweise reicht eine Trockenreinigung (ggf. zusammen mit Anhauchen oder mit einem speziellen Optikreiniger).

Keine scharfen Reinigungsmittel wie Aceton, Benzin oder Ähnliches verwenden!

Diese Substanzen können die (Anti-Reflex-) Beschichtung beschädigen!

Bitte beachten Sie, dass sich Staub auf den Linsen der Objektive und auf dem Abdeckglas nur gering auf die Bildqualität auswirkt (Glas und Objektive liegen außerhalb des Schärfbereiches liegen).

ACHTUNG:

Zur Reinigung der optischen Komponenten im Geräterinneren muss das Gerät geöffnet werden! Dies darf nur durch WolfVision oder einen autorisierten Servicetechniker erfolgen da das Gerät nach der Reinigung möglicherweise neu abgeglichen werden muss.

Firmware Updates

Die Firmware (Geräte-Software) Ihres Visualizers (inklusive On-Screen Hilfe-Texte) kann einfach auf die aktuellste Version aktualisiert werden (über LAN).

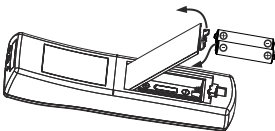
Firmwareupdates können gratis unter www.wolfvision.com (Support) herunter geladen werden. Für ein Update über Ethernet/LAN benötigen Sie die Software vSolution Link by WolfVision.

Alternativ kann die Firmware auch im On-Screen Menü (Erweiterte Einstellungen / Geräte Info) aktualisiert werden - Internetverbindung vorausgesetzt.

Wählen Sie die Zeile "Prüfe FW" und der Visualizer prüft den WolfVision Server auf neuere Firmware-dateien. Folgen Sie den Anweisungen am Bildschirm um den Updateprozess zu starten.

Infrarot Fernbedienung

Bitte beachten Sie, dass eine IR-Fernbedienung nur bis zu einer gewissen Distanz zum Gerät einsetzbar ist. Gegenstände, welche die Sichtverbindung zwischen Fernbedienung und Visualizer verstellen sowie schwache Batterien beeinträchtigen die Steuerung.



Wenn der Visualizer nur noch aus nächster Nähe zu steuern ist, müssen meist nur die Batterien ersetzt werden.

Lässt sich der Visualizer überhaupt nicht mehr mit der Fernbedienung steuern, prüfen Sie den IR-Code (*siehe Seite 5*) und die Batterien.

Öffnen Sie per Hand die Abdeckung auf der Rückseite und ersetzen Sie beide 1,5V AAA (Code LR03) Batterien durch Neue desselben Typs.

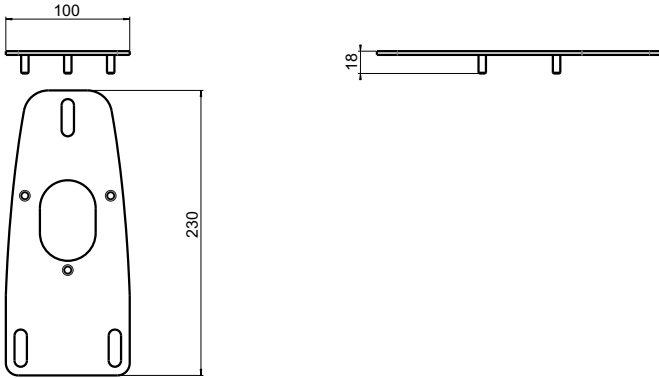
Auf richtige Polung der Batterien achten!

VORSICHT

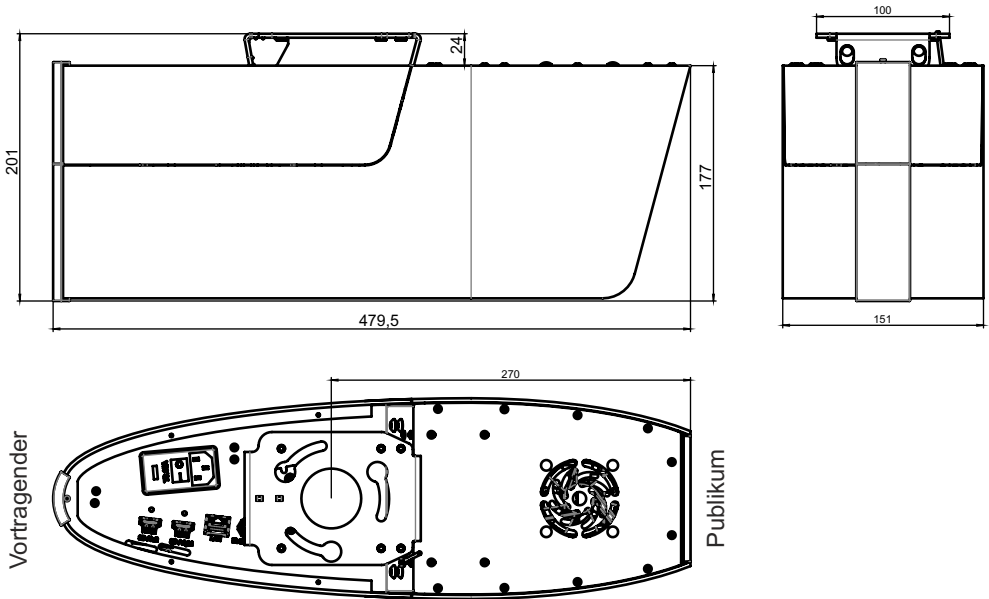
Explosionsgefahr wenn die Batterien durch einen falschen Typ ersetzt werden.

Verbrauchte Batterien gemäß Anweisung entsorgen. Batterien der Wiederverwertung zuführen!

Abmessungen des WolfVision Deckenhängers



Abmessungen des Decken Visualizers



Technische Änderungen vorbehalten!



WICHTIG

Für eine ausreichende Belüftung ist zu sorgen, andernfalls kann es zu einer Beschädigung des Gerätes kommen.

Technische Daten

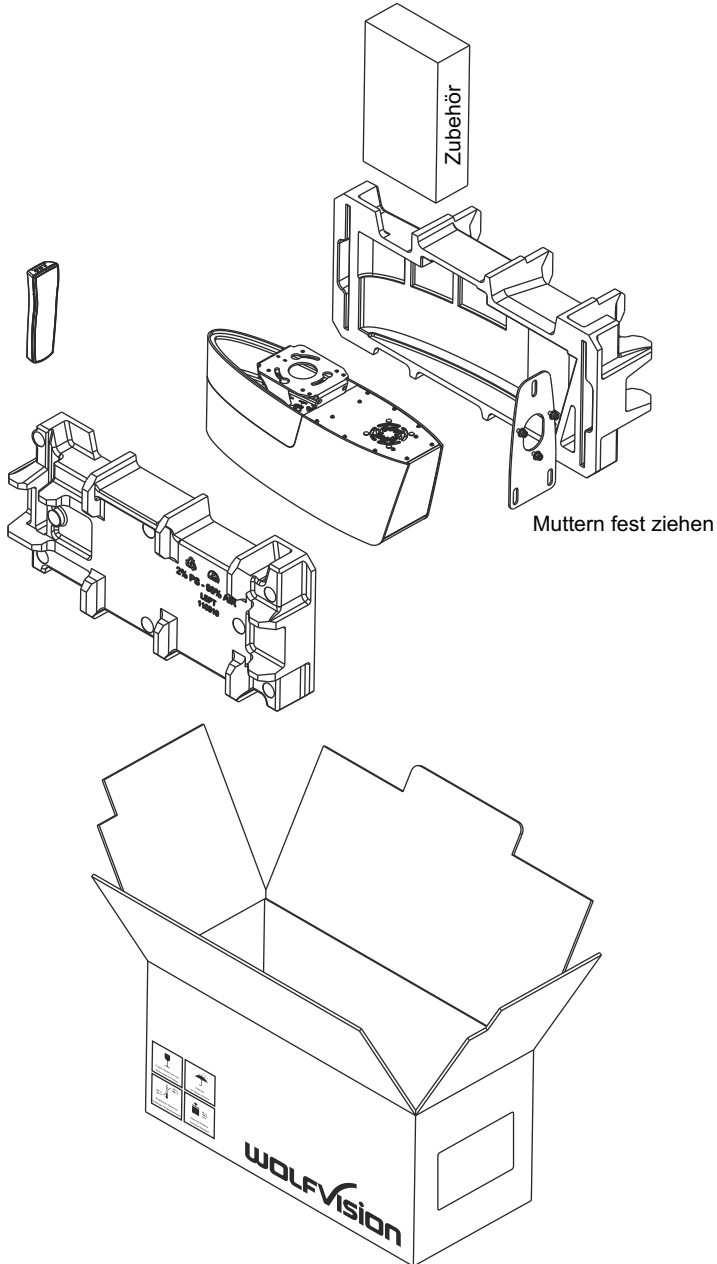
Kamera / Technologie (Signalformat)	2x CMOS 1/3" Progressive Scan
2-Dimensional / 3-Dimensional	2D und 3D
Bilder pro Sekunde (Kameraaufnahme)	30 Bilder pro Sekunde im 2D und 3D Modus
Native (effektive) Pixel der Kamerasensoren)	2 x 1920x1080 (=2 x 2.073.600)
Native (effektive) Pixel in der Bildbearbeitung	2 x 1920x1080 (=2 x 2.073.600)
Verarbeitete Pixel pro Sekunde (=effektive Pixel x Bilder pro Sekunde)	124.416.000
Farbwiedergabe / Präzision	sehr gute Farben / sRGB Farbpräzision
Original Ausgangssignal der Kamera (Nativ)	2x 1080p HD (1920x1080) im 2D und 3D Modus
3D Ausgangs Signalmodi (1080p)	Frame Packing, Side by Side, Top and Bottom, Page Flip, Left / Right , Right / Left und Line Alternating (schaltbar)
2D Ausgang Signalmodi (1080p)	Links, Rechts, Transparent 50/50 (schaltbar)
WolfVision Bildbearbeitungsprozessor "YSOP1"	ja
Auflösung (gemessen)	980 Linien
Vertikale Bildfrequenz (abhängig vom gewählten Ausgangsmodi)	Progressive Scan: 24Hz, 30Hz und 60Hz (schaltbar)
Iris (Blende, Helligkeitseinstellung)	automatisch und manuell
Weißabgleich	automatisch und manuell
Fokus	automatisch und manuell
Synchronisiertes Lichtfeld für einfache Objektpositionierung	ja (in Größe der Kameraaufnahme)
On-Screen Menü und On-Screen Hilfe	ja
Firmware Updates	ja, über Ethernet/LAN
Objektiv / Zoom	2 Weitwinkel Kameraobjektive + 1 Lichtobjektiv 60x Zoom (15x optisch + 4x digital)
Linsen	Weitwinkel, f= 4,7 - 57mm
Interokulare Distanz	55mm
Konvergenz	1m bis unendlich (einstellbar)
Max. Objekthöhe auf der Arbeitsfläche	abhängig von der Montagehöhe (maximal 1,7m)
Max. Abtastbereich auf der Arbeitsfläche	abhängig von der Montagehöhe
Min. Abtastbereich auf der Arbeitsfläche	abhängig von der Montagehöhe
Min. Abtastbereich auf der Arbeitsfläche mit Digitalzoom	abhängig von der Montagehöhe
Tiefenschärfe bei kleinen Objekten (42 x 33mm)	größer als 20mm
Tiefenschärfe bei großen Objekten (360 x 270mm)	größer als 250mm
Schattenfrei Ausleuchtung	ja
Ausleuchtung hohler Objekte	ja
Störendes Streulicht	nahezu keines
Blenden von Publikum oder Vortragenden	keines
Lichtquelle	Wartungsfrei Beleuchtung mit Hochleistungs-LED (Lebensdauer: 30.000Std.)
Software (LAN) Steuerung, Bild- und Videospeicherung und Firmware Updates	vSolution Link by WolfVision, inkludiert (für 32- und 64-Bit Windows und Macintosh)
Reflexionsfreier Bereich auf der Arbeitsfläche	gesamte Aufnahmefläche
Anwenderprogrammierbare Presets	3
Spezielle Arbeitsfläche für Overheadfolien	optional
Unterlicht	optional
Bildspeicher	1 Bild Freeze (Standbild)
Alternative Bildanzeige	Negativ Bild / Negativ-Blau Bild / Schwarz-Weiß Bild
HDMI Ausgang	2x HDMI 3D fähig
Erweiterte Steuerung mit prof. Protokoll	ja, über LAN
Ethernet (LAN) Anschluss	ja, IP-adressierbar, 10/100 Mbps Streaming in Motion JPEG (Unicast und Multicast) Web Interface
Video Aufnahme	ja, internes SSD-Medium (500GB)
Audio	ja, Mikrofoneingang (Line-Pegel)
Abmessungen (L x B x H)	478mm x 150mm x 178mm
Gewicht	5,2kg
Infrarot Fernbedienung	ja (mit Laserpointer)
Externer IR-Empfänger	ja, mit 10m Kabel
Deckenhalterung	inkludiert (sehr flach, mit Video-/Beamerhalterungen erweiterbar)
Eingangsspannung / Leistungsaufnahme	internes Netzteil, Multirange 100 - 240 VAC / Leistungsaufnahme 39W
Betriebstemperatur / relative Luftfeuchtigkeit	0°C - 40°C / 40 - 60%rel
Garantie	5 Jahre
Hergestellt in	Austria (Europäische Union)

Bitte beachten: Aufgrund von laufenden technischen Verbesserungen können sich die technischen Daten ändern!

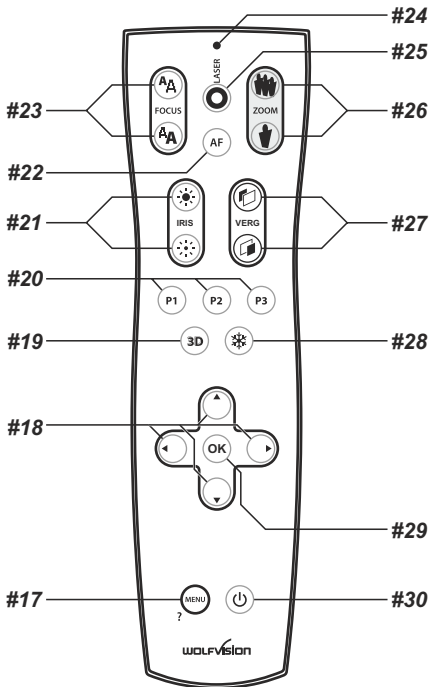
Verpackung / Transport

WICHTIG

Bitte vergewissern Sie sich vor dem Transport des Decken Visualizers, dass dieser wie unten abgebildet verpackt wurde. Dies ist sehr wichtig um eine Beschädigung empfindlicher Teile durch den Transport zu verhindern.



Codes - Tastenkombinationen



Preset speichern:

Drücken Sie die gewünschte **PRESET** Taste (#20) für 2 Sekunden.

Preset aufrufen:

Drücken Sie die gewünschte **PRESET** Taste (#20) nur kurz.

Aktivieren des On-Screen Menüs:

Drücken Sie die **MENU** Taste (#17).

Aktivieren des On-Screen Extra Menüs:

Halten Sie die **MENU** Taste (#17) gedrückt bis das Extra Menü dargestellt wird.

Menü - Hilfe Funktion:

Wählen Sie die gewünschte Zeile im aktiven On-Screen Menü und halten die **MENU / ?** Taste (#17) gedrückt bis der Hilfetext eingeblendet wird. Erneutes Drücken und gedrückt Halten der **MENU / ?** Taste beendet die Hilfefunktion.

IR-Code ändern:

Ändern Sie im On-Screen Menü "Erweiterte Einstellungen / Diverse Einstellungen", den IR-Code (Code A ist Standard).

Ändern Sie auch den Code der Fernbedienung durch gleichzeitiges Drücken der Tasten **PRESET 1**, **PRESET 2** (#20) und **ZOOM TELE** (#26) um den Code von A nach B, C, D ... A usw. zu schalten.

Um die Fernbedienung auf Code A zurückzusetzen, drücken Sie die Tasten **PRESET 1**, **PRESET 2** (#20) und **ZOOM WIDE** (#26) gleichzeitig.

CONTACTS

Manufacturer / Worldwide Distribution

WolfVision GmbH

A-6833 Klaus Tel: +43(5523)-52250, Fax: +43(5523)-52249
AUSTRIA E-Mail: wolfvision@wolfvision.com

International Distribution Offices

USA

WolfVision Inc.

Duluth Tel: +1(770)931-6802, Toll free: 877-873-WOLF, Fax: +1(770)931-9606
(Atlanta) E-Mail: sales@wolfvision.us / support@wolfvision.us
Burlingame Tel: +1(650)648-0002, Toll free: 800-356-WOLF
(San Francisco) E-Mail: sales@wolfvision.us / support@wolfvision.us

Asia

WolfVision Pte Ltd

Singapore Tel: +65-6636-1268, Fax: +65-6636-1269
E-mail: info@wolfvisionasia.com

Middle East

WolfVision Middle East

Dubai Tel: +971 (04) 354 2233, Fax: +971 (04) 354 2244
E-Mail: middle.east@wolfvision.net

Germany

WolfVision Germany

Tel: 0800 / 98 28 787 (Toll Free for Germany)
E-mail: wolfvision.deutschland@wolfvision.com

Japan

WolfVision Co. Ltd.

Tokyo Tel: +81(0)3-3360-3231, Fax: +81(0)3-3360-3236
E-mail: wolfvision.japan@wolfvision.com

Canada

WolfVision Canada, Inc.

Ottawa Tel: +1(613)741-9898, Toll free: 877-513-2002, Fax: +1(613)741-3747
E-Mail: wolfvision.canada@wolfvision.com

United Kingdom

WolfVision UK Ltd.

Maidenhead Tel: +44 1628 509067, Fax: +44 1628 509100
E-Mail: wolfvision.uk@wolfvision.com

Internet Homepage: www.wolfvision.com
E-Mail to technical support: support@wolfvision.com