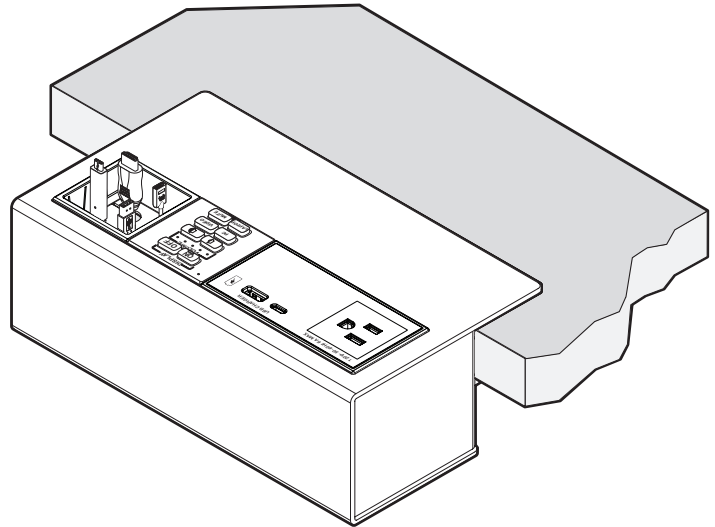


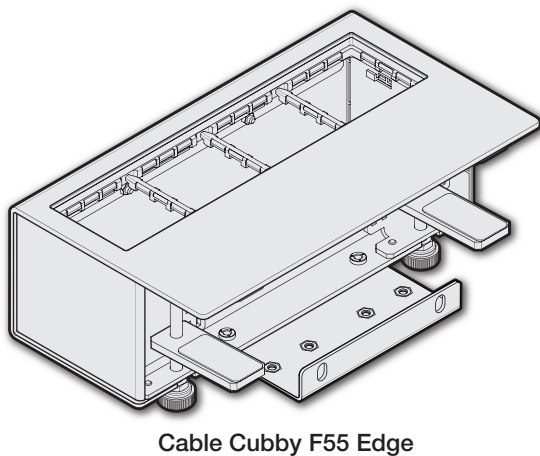
Cable Cubby F55 Edge • Installation Guide

The Extron Cable Cubby F55 Edge is an edge-mount cable access enclosure that integrates AV technology and power on the furniture surface. It is designed for configurable rooms that require semi-permanent AV connectivity, control, and power. An integrated clamp system secures the enclosure to the furniture without requiring tools or cutting.

This guide provides instructions for an experienced installer to install and connect the Extron Cable Cubby F55 Edge Cable Access Enclosure.

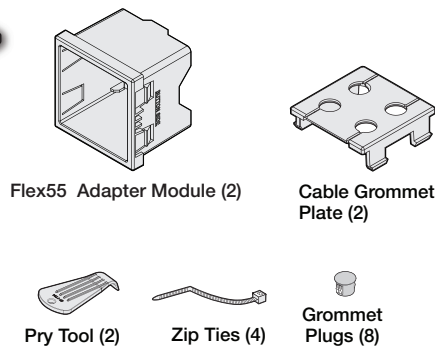


Kit Contents



Cable Cubby F55 Edge

Figure 1. Cable Cubby F55 Edge Kit Contents



Flex55 Adapter Module (2)

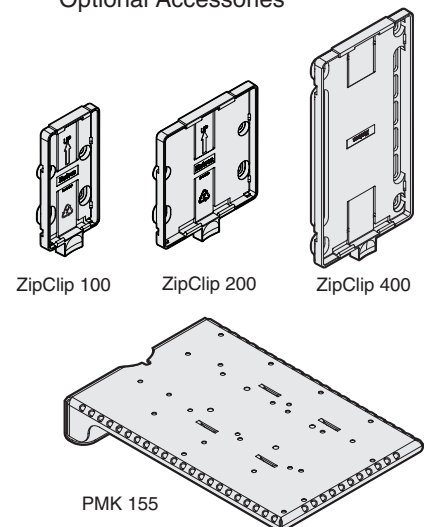
Cable Grommet Plate (2)

Pry Tool (2)

Zip Ties (4)

Grommet Plugs (8)

Optional Accessories



ZipClip 100

ZipClip 200

ZipClip 400

PMK 155

Planning

Read the following information before installing the Cable Cubby F55 Edge.

Check with Local and State Regulations Before Starting the Installation:

- Ensure that the planned installation complies with building and electrical codes.
- Ensure that the planned installation complies with the Americans with Disabilities Act or other accessibility requirements.

Check All Parts and Equipment Before Installation:

- Ensure that all parts are present in each kit.
- Ensure that necessary tools and equipment are available for the installation.

NOTE: Excess cabling may cause clearance issues. Use zip ties to secure under-table cabling to prevent accidental contact or entanglement (see [Routing and Connecting Cables](#) on page 9).

Cable Cubby F55 Edge • Installation Guide (Continued)

Application Diagram

The application diagram below shows a power, data, and video wiring setup from a laptop to a conference monitor. The setup is made simple by using the included Cable Cubby Flex55 Captive Cable Kit, installed in the Cable Cubby F55 Edge enclosure.

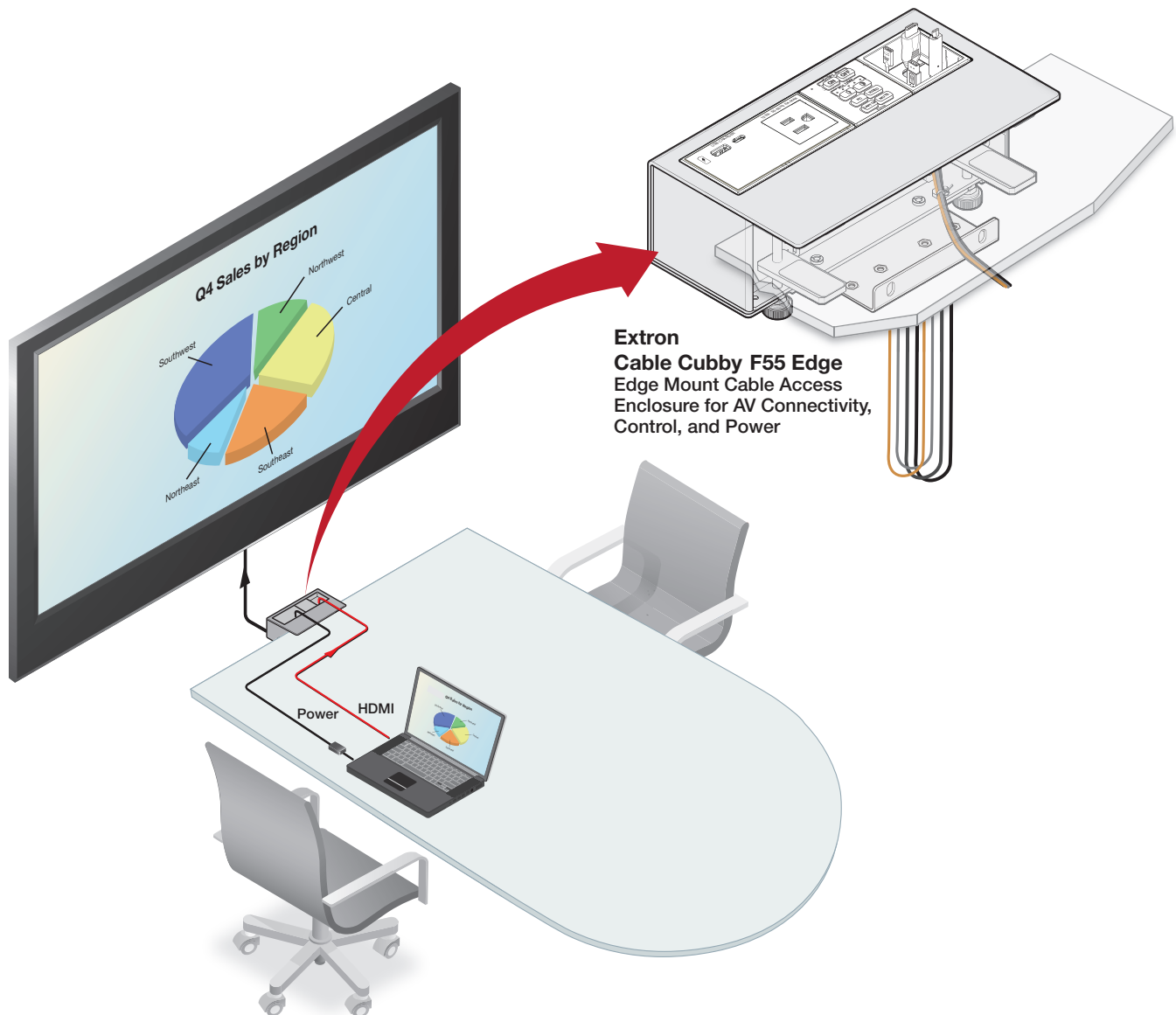


Figure 2. Application Example Using the Cable Cubby F55 Edge Enclosure

Preparing the Cable Cubby F55 Edge

The Cable Cubby F55 Edge enclosure supports Flex55 and EU modules, which can be installed in a variety of combinations (see the example in figure 3). These modules can be installed either before or after the Cable Cubby F55 Edge installation. Optional Retractor modules can be installed with the appropriate brackets, sold separately. Detailed retractor installation instructions are available with the Retractor bracket kit and in the *Cable Cubby F55 Edge Retractor Module Setup Guide* at www.extron.com.

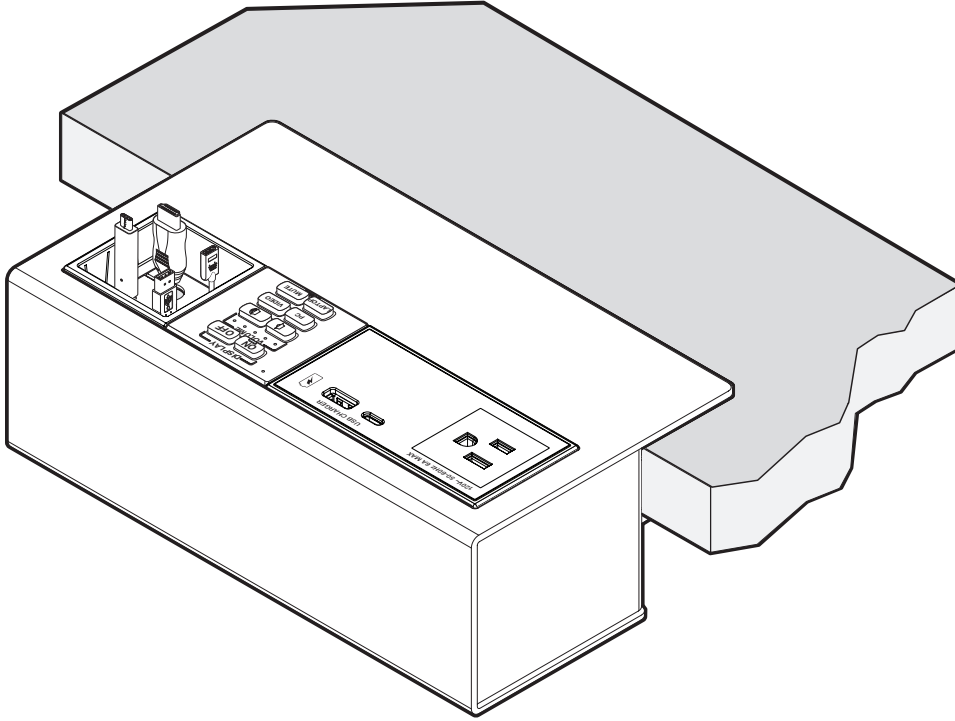


Figure 3. Cable Cubby F55 Edge with Control, Power, and Cable Pass-through Modules

NOTE: For a complete and up-to-date list of compatible modules, see the product page at www.extron.com.

Cable Cubby F55 Edge • Installation Guide (Continued)

Installing Modules into the Cable Cubby F55 Edge

The following illustration shows the process for installing the double-size Flex55 AC+USB 130 US Power Module into the Cable Cubby F55 Edge enclosure. Note that half- and full-size modules can be snapped into the enclosure without removing the supports (1). Retractor modules also can be installed, in any slot in the enclosure (see the *Cable Cubby F55 Edge Retractor Setup Guide*, available at www.extron.com, for more information).

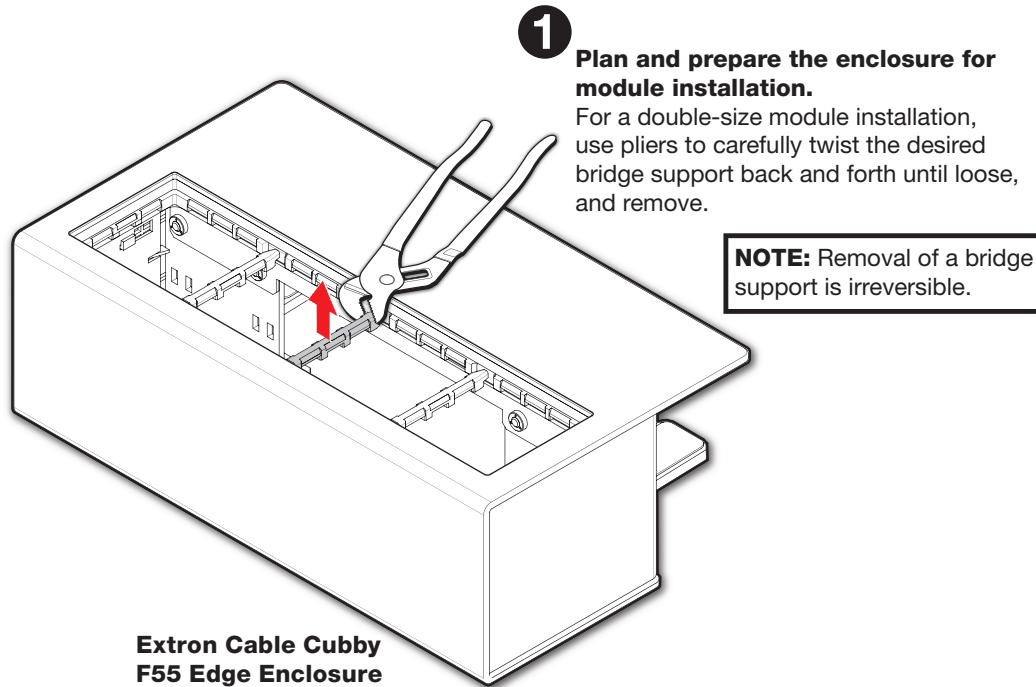
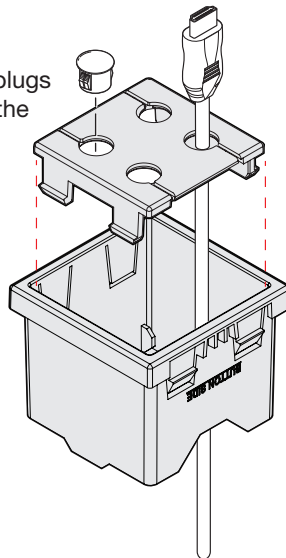


Figure 4. Removing a Module Support for Double-sized Flex55 Installation

2 Install the cable grommet plate for cable pass-through applications.

c Snap included grommet plugs into any unused holes in the grommet plate.



a For cable pass-through installation, insert the cables through the bottom of the Cable Cubby F55 Adapter Module and through the holes of the grommet plate.

b Snap the grommet plate into the Adapter Module.

Figure 5. Installing the Cables

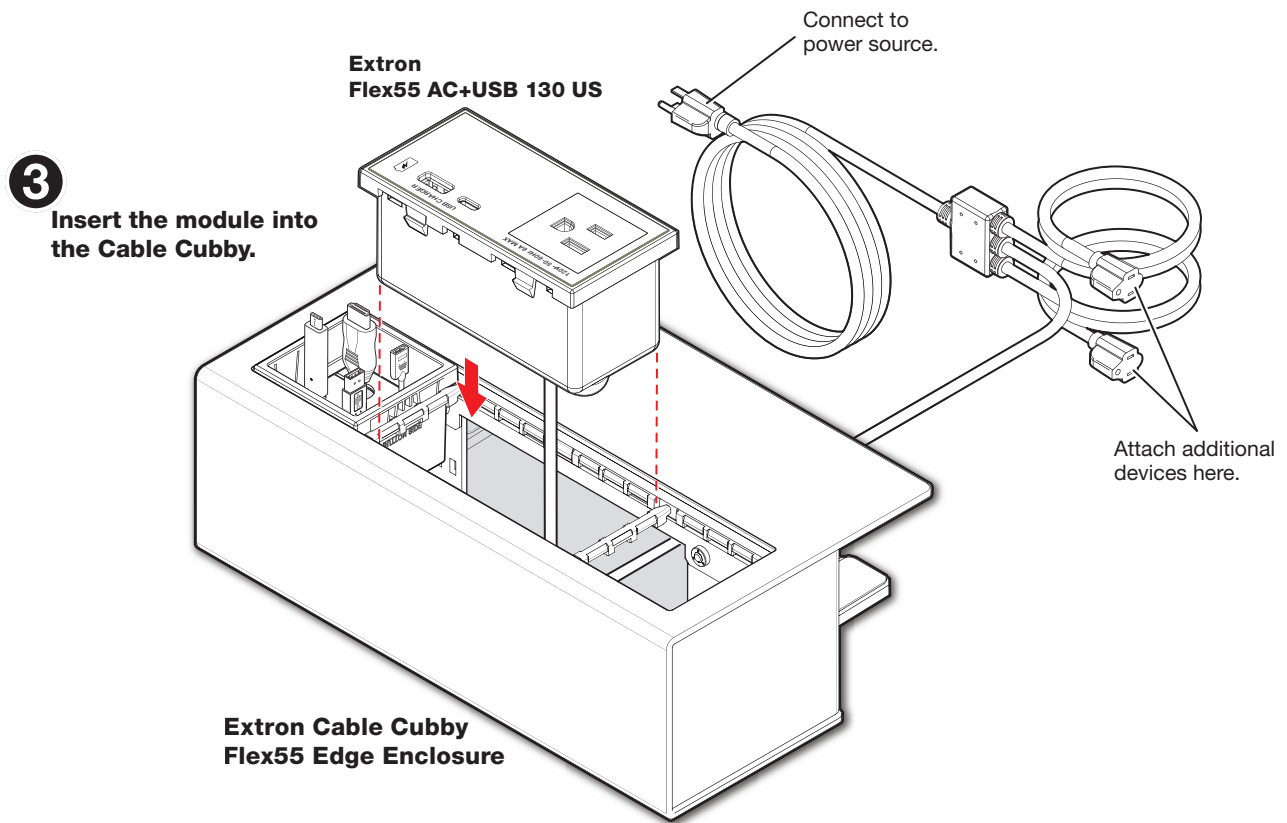


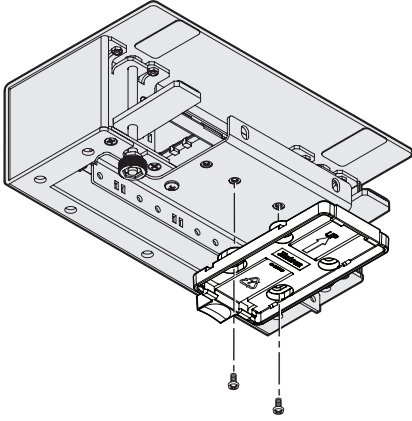
Figure 6. Installing the Flex55 AC+USB 130 US into the Cable Cubby F55 Edge Enclosure

Cable Cubby F55 Edge • Installation Guide (Continued)

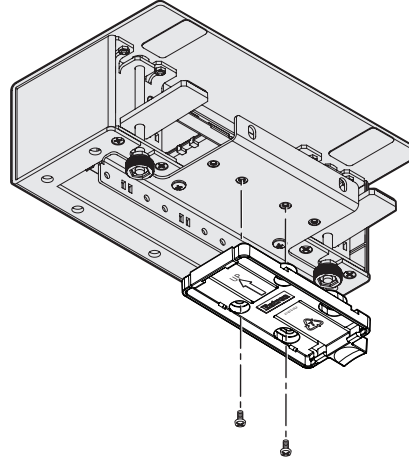
Attaching an Optional ZipClip Mounting Device to the Cable Cubby F55 Edge

The ZipClip 100, 200, or 400 can be attached to the Cable Cubby F55 Edge in order to mount a power supply or other device to the Cable Cubby. Determine which ZipClip to use (depending on the device being attached) and in which orientation (vertical or horizontal). Note that the ZipClip 400 can be mounted horizontally only. Plan and ensure that there is ample space for the device and its cables.

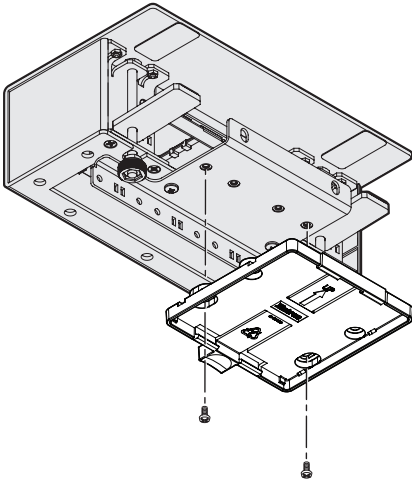
ZipClip 100 – Vertical Mounting



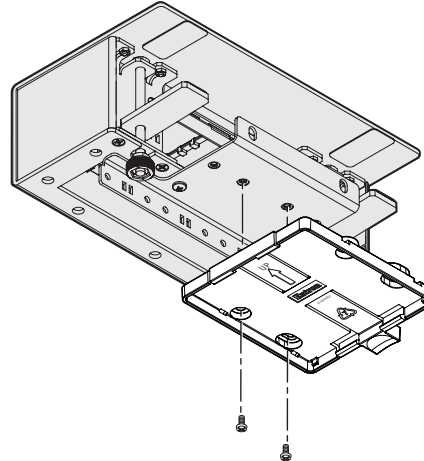
ZipClip 100 – Horizontal Mounting



ZipClip 200 – Vertical Mounting



ZipClip 200 – Horizontal Mounting



ZipClip 400 – Horizontal Mounting

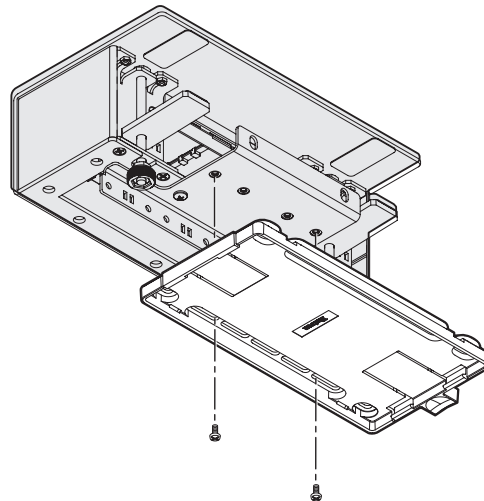


Figure 7. Mounting ZipClips

Cable Cubby F55 Edge • Installation Guide (Continued)

Attaching an Optional PMK 155 Mounting Kit

Follow these steps to attach a PMK 155 Mounting Kit to the Cable Cubby F55 Edge.

1. The Cable Cubby F55 Edge is delivered with an accessory mounting bracket attached. Detach this bracket by removing its two mounting screws (see figure 8). Set the bracket and screws aside. You will reattach them in [step 3](#).

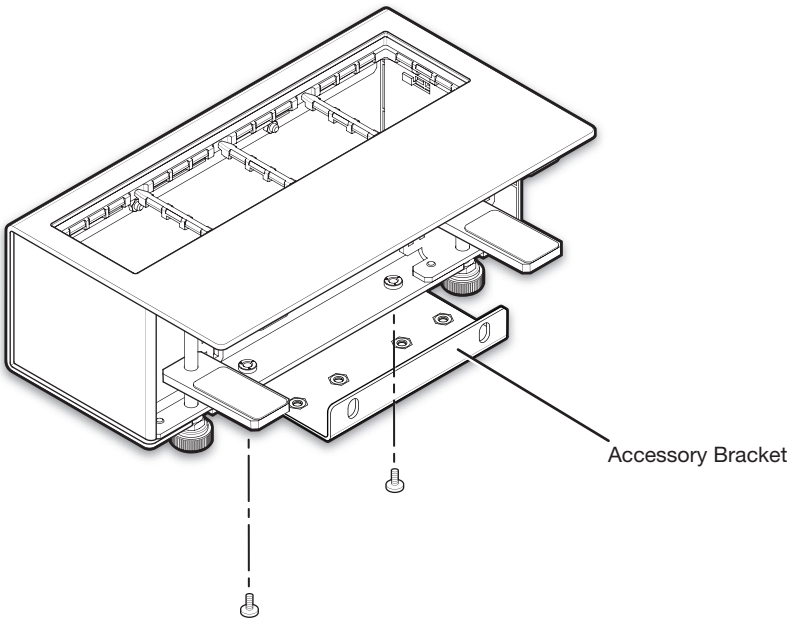


Figure 8. Removing the Accessory Mounting Bracket from the Cable Cubby F55 Edge

2. Attach the PMK 155 to the accessory bracket using the two screws and washers from the PMK kit (see figure 9).

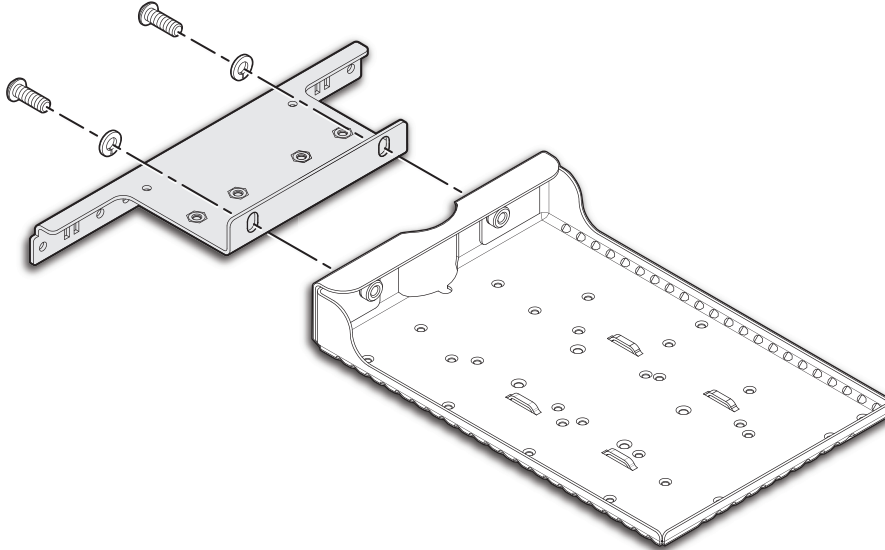


Figure 9. Attaching the PMK 155 to the Accessory Bracket

Cable Cubby F55 Edge • Installation Guide (Continued)

3. Attach the accessory bracket and PMK 155 to the Cable Cubby F55 Edge, using the two screws removed in [step 1](#).

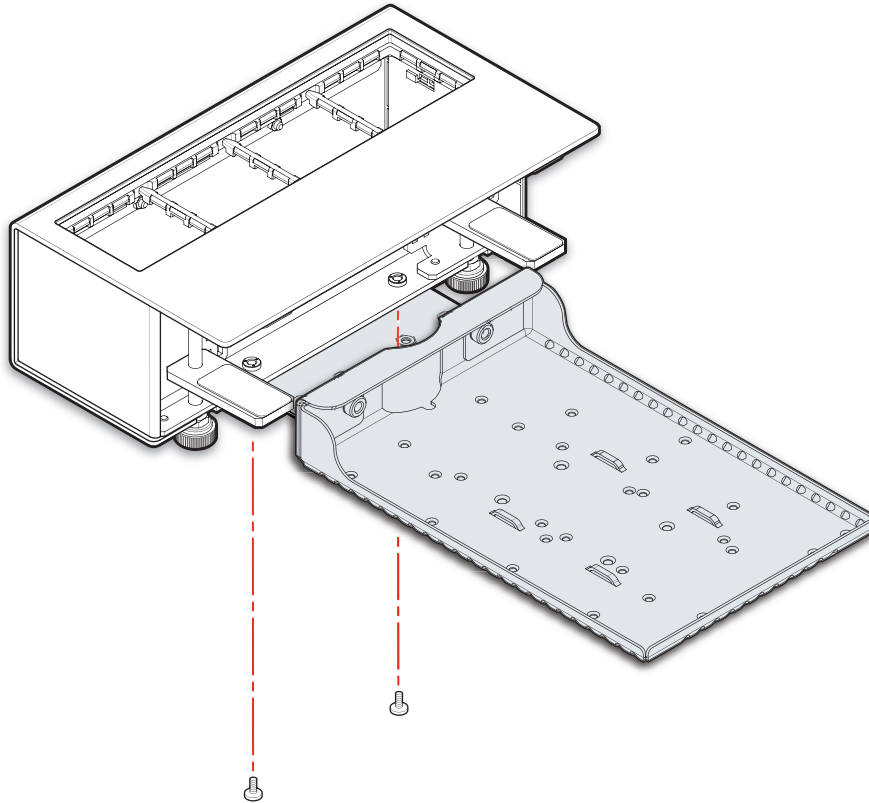


Figure 10. Attaching the PMK 155 and Accessory Bracket to the Cable Cubby F55 Edge

Mounting the Cable Cubby F55 Edge to a Table

Mount the Cable Cubby F55 Edge on the edge of the table as shown below.

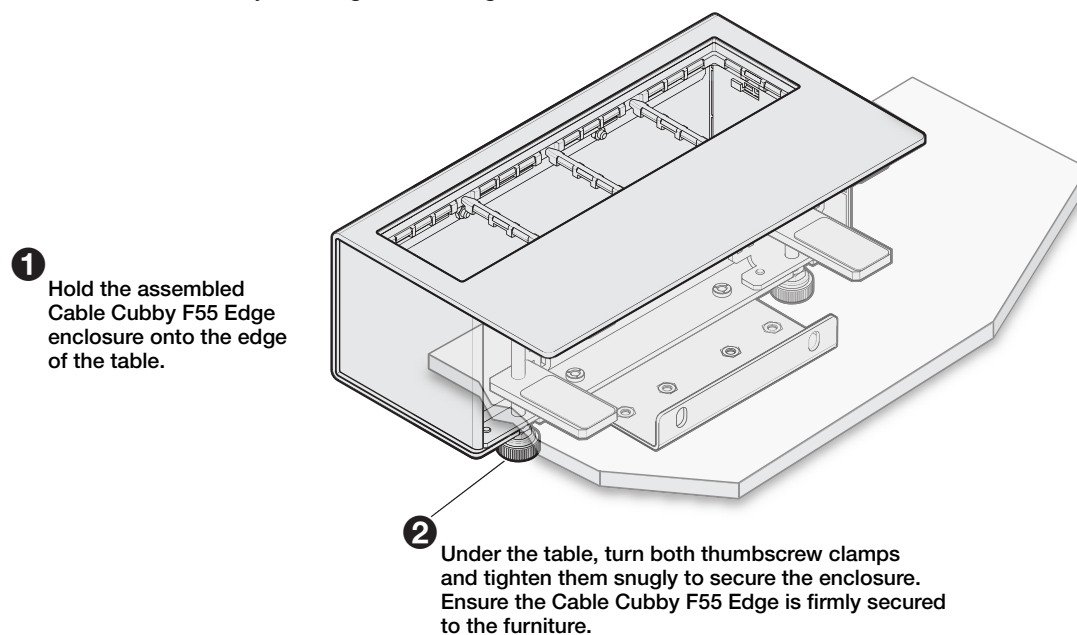


Figure 11. Mounting the Cable Cubby F55 Edge to a Table

Routing and Connecting Cables

Organize and connect cables as shown in figure 12. Use zip ties (provided) to fasten the cables to the enclosure where needed.

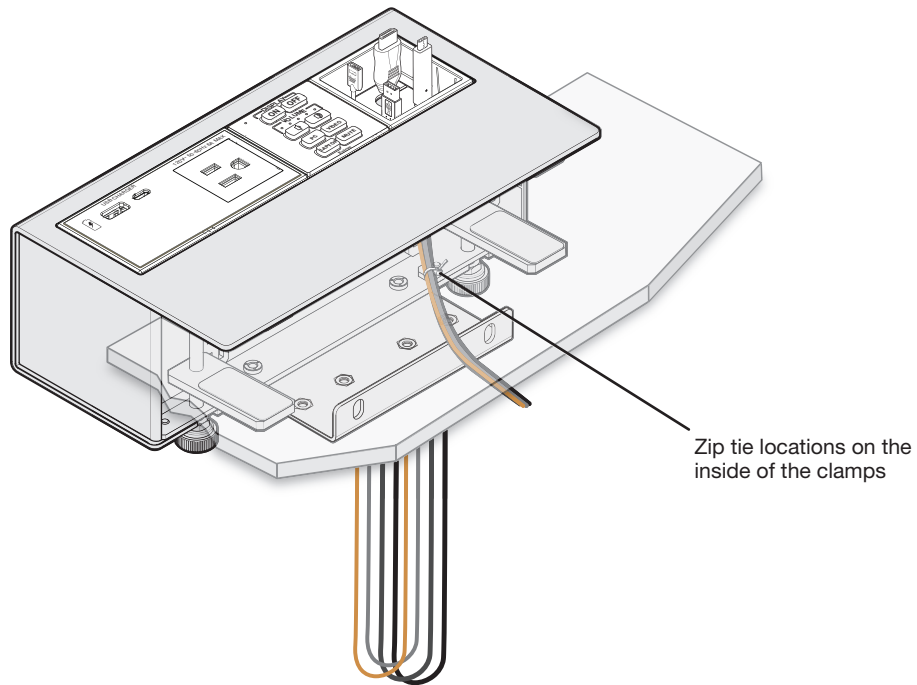


Figure 12. Routing and Managing the Cables

Cable Cubby F55 Edge • Installation Guide (Continued)

Appendix – Removing Modules from the Cable Cubby F55 Edge

If the modules need to be replaced or removed from the Cable Cubby F55 Edge enclosure, the following diagrams show the procedure for removing modules with the provided pry tool. This process applies to any compatible Flex55 and EU module.

NOTE: To verify the location of the locking tabs, check the module specifications (available at www.extron.com).

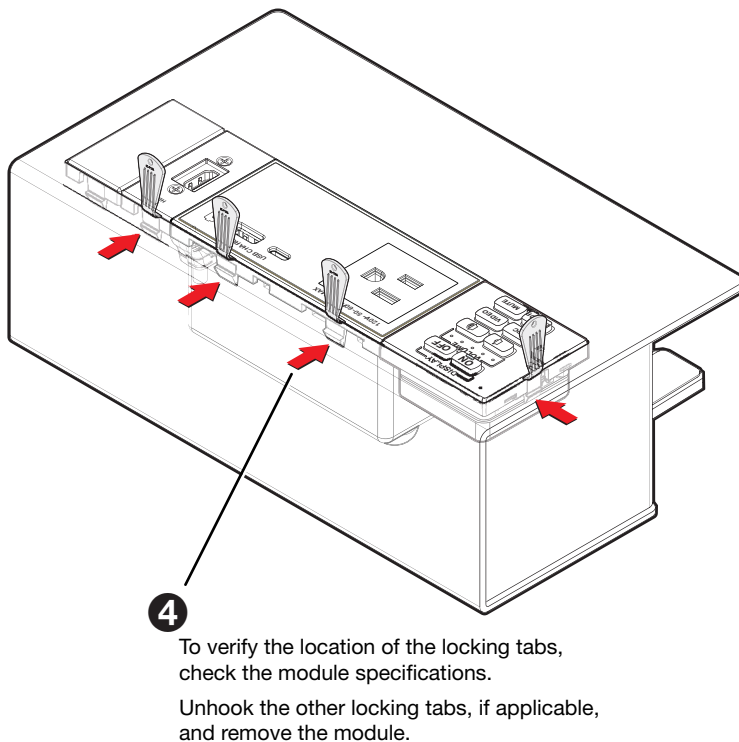
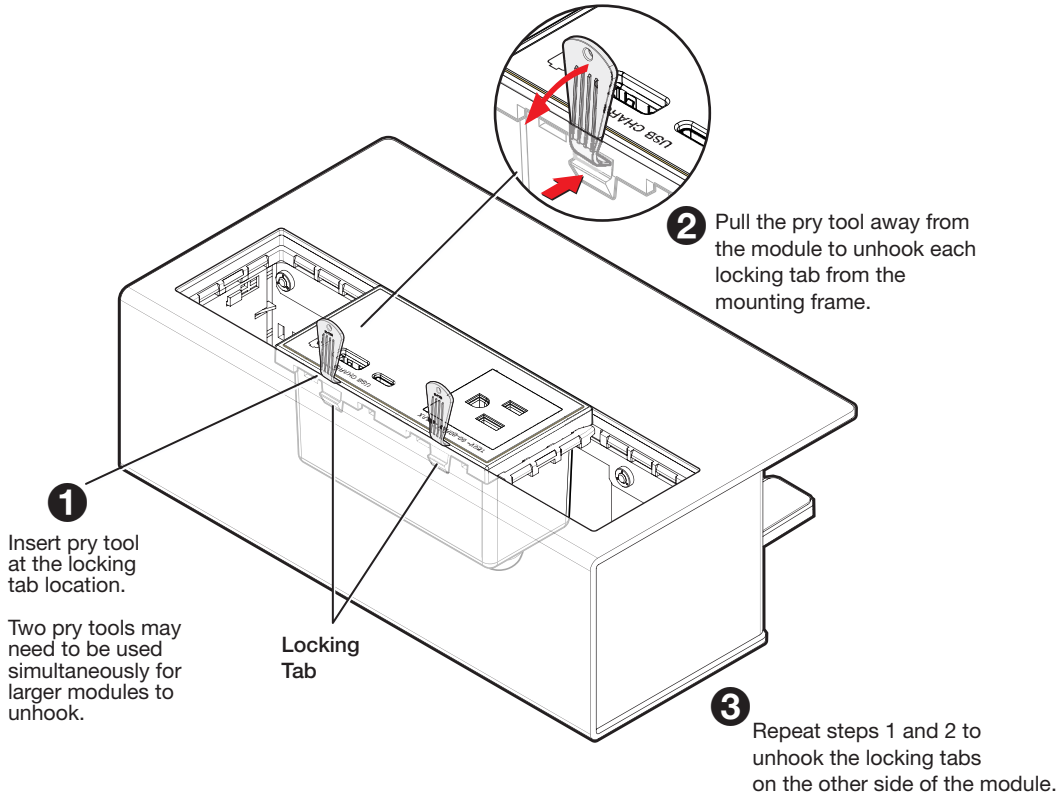


Figure 13. Removing Modules

Installation Overview

- **Planning (see page 2)**
 - Check with local and state regulations before starting the installation.
 - Check all parts and equipment before installation.
- **Preparing the Cable Cubby F55 Edge (see page 3)**
 - Check the modules for compatibility and installation requirements.
- **Installing Modules into the Cable Cubby F55 Edge (see page 4)**
 - Install half-, single-, and double-size modules into the Cable Cubby F55 Edge.
 - Remove any bridge supports if necessary. **Note that removal of bridge supports is irreversible.**
- **(Optional) Installing Retractor Modules (see the *Cable Cubby F55 Edge Retractor Guide*, provided with the Cable Cubby F55 Edge Retractor Bracket Kit)**
 - Install Retractor modules in the Cable Cubby F55 Edge.
- **(Optional) Attaching a ZipClip (see page 6) or PMK 155 (see page 7) to the Cable Cubby F55 Edge**
 - **If using a ZipClip**, determine which model to use (100, 200, or 400), and in which orientation (vertical or horizontal). Plan and ensure there is ample space for the device and its cables.
or
If using a PMK 155, remove the accessory bracket from the Cable Cubby F55 Edge and attach the bracket to the PMK 155. Re-install the accessory bracket with the PMK to the Cable Cubby F55 Edge.
 - Attach the ZipClip or PMK 155 to the Cable Cubby F55 Edge.
 - Attach the desired power supply or other device to the ZipClip or PMK 155.
- **Mounting the Cable Cubby F55 Edge (see page 8)**
 - Clamp and secure the Cable Cubby F55 Edge to the edge of the table.
- **Routing and Connecting Cables (see page 9)**
 - Organize and connect the cables.
 - Use tie wraps to attach cables to the enclosure where needed.

For information on safety guidelines, regulatory compliances, EMI/EMF compatibility, accessibility, and related topics, see the **Extron Safety and Regulatory Compliance Guide** on the Extron website.