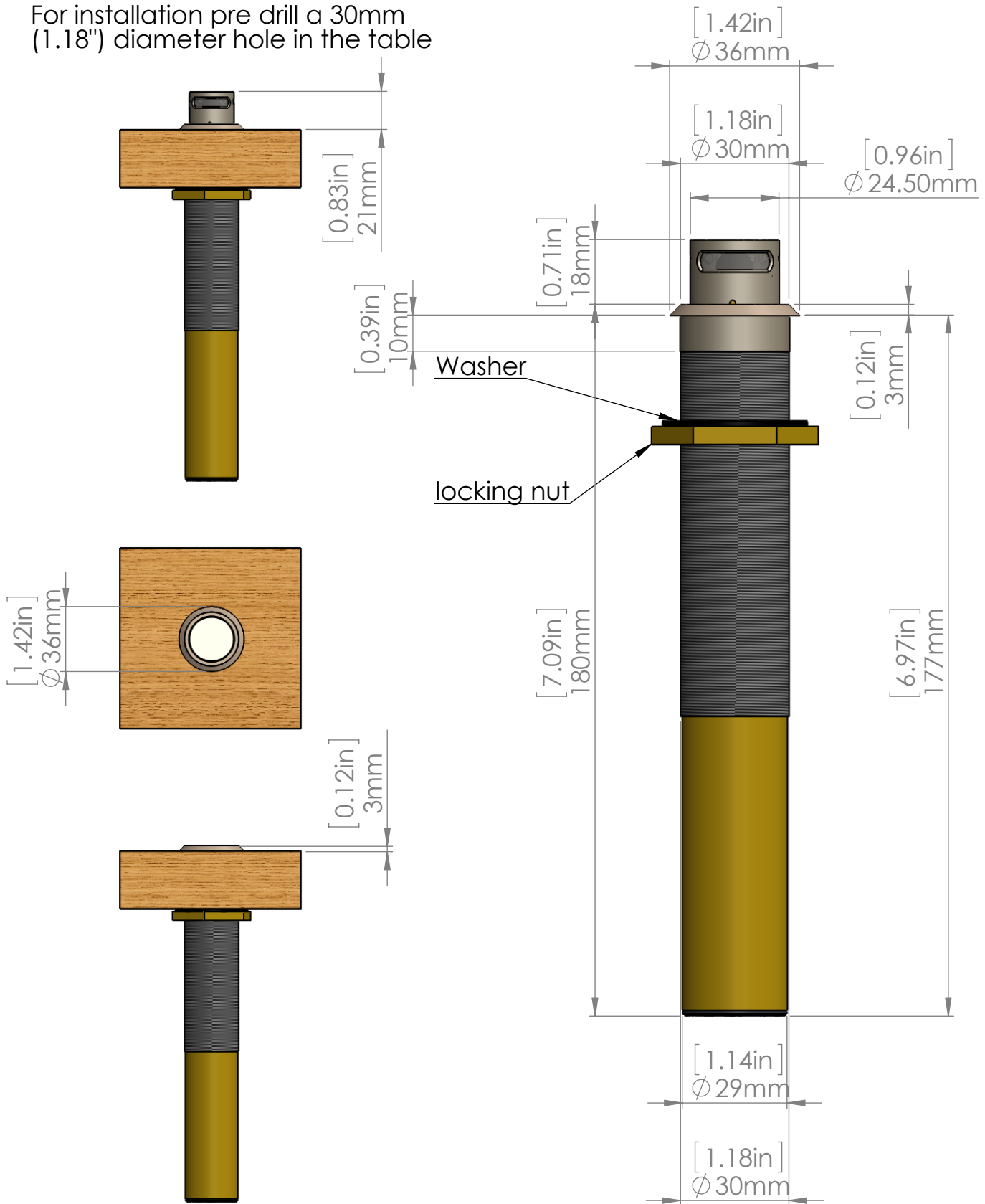


For installation pre drill a 30mm (1.18") diameter hole in the table



<b>PROPRIETARY AND CONFIDENTIAL</b> THE INFORMATION CONTAINED IN THIS DRAWING IS THE SOLE PROPERTY OF CLOCKAUDIO LTD. ANY REPRODUCTION IN PART OR AS A WHOLE WITHOUT THE WRITTEN PERMISSION OF CLOCKAUDIO LTD IS PROHIBITED.	CLIENT APPROVAL			NAME	DATE	<b>CLOCKAUDIO</b>
	NAME		DRAWN	C.BUDGEN	05/06/12	
	COMPANY		MATERIAL	Brass		ARM 102-RF
	DATE		FINISH	Black nextel or Satin nickel		
	SIGNATURE		NOTES:	ARM 102-RF Black		
	COMMENTS:			ARM 102N-RF Nickel		
			SIZE	DWG. NO.	REV.	
			<b>A</b>	927		
			DO NOT SCALE DRAWING		WEIGHT:	SHEET 1 OF 1